

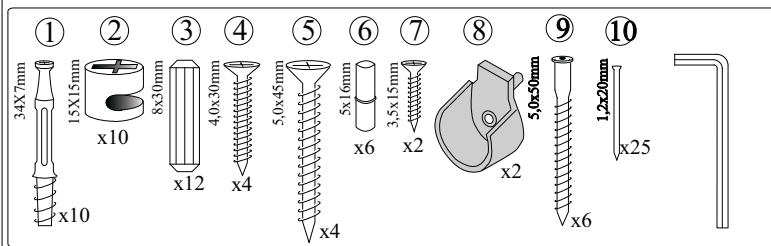
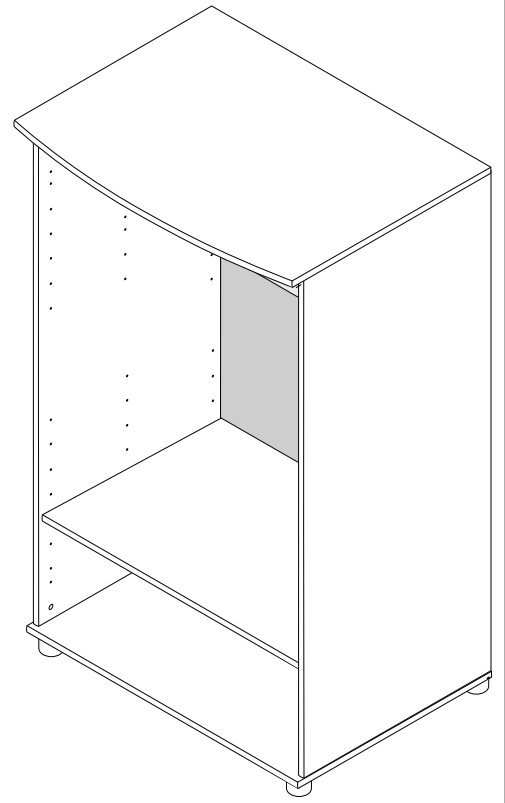
Stompa®

WWW.STOMPA.COM

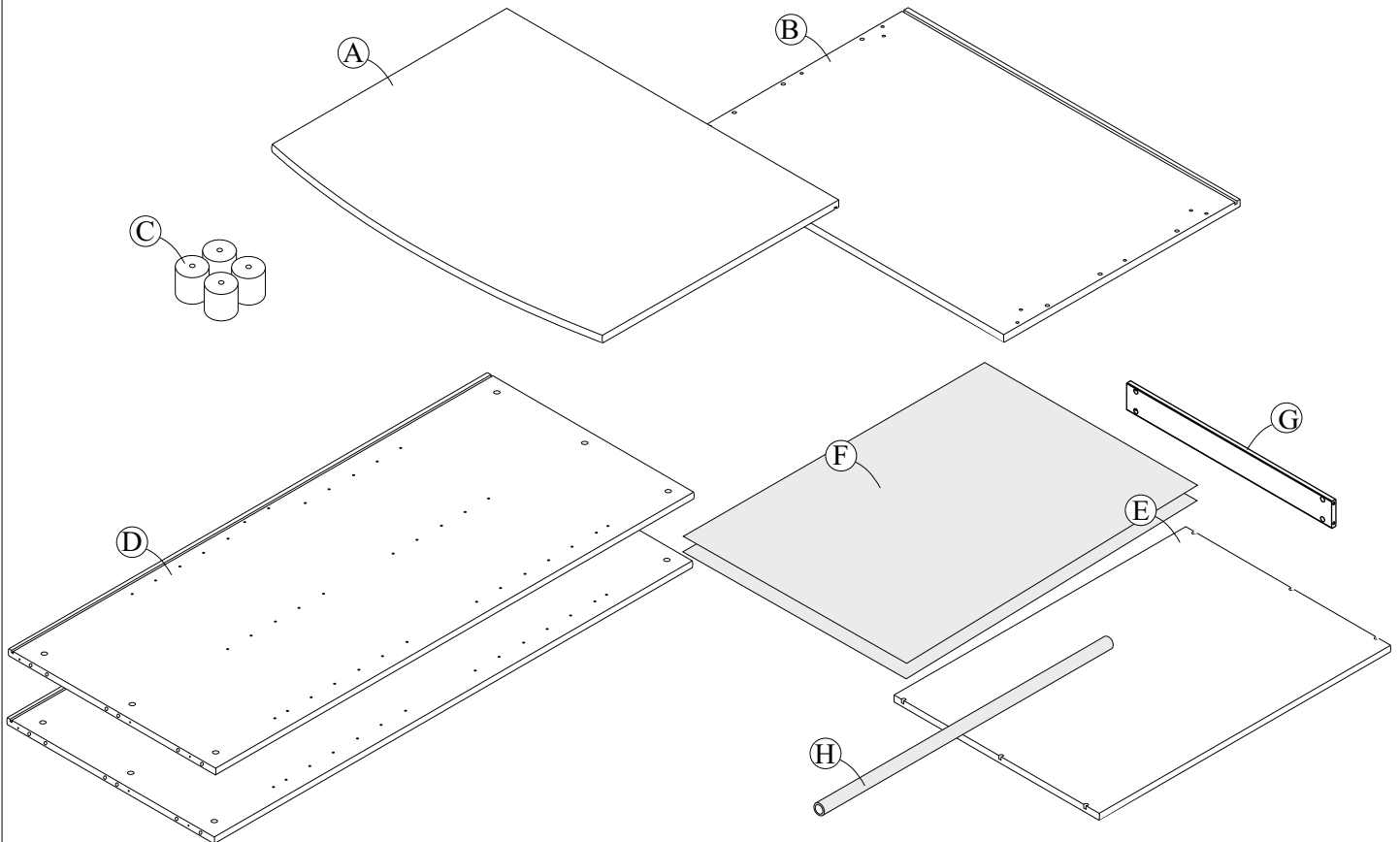
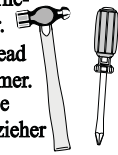
Art.nr. A023

(N) Garderobeskap

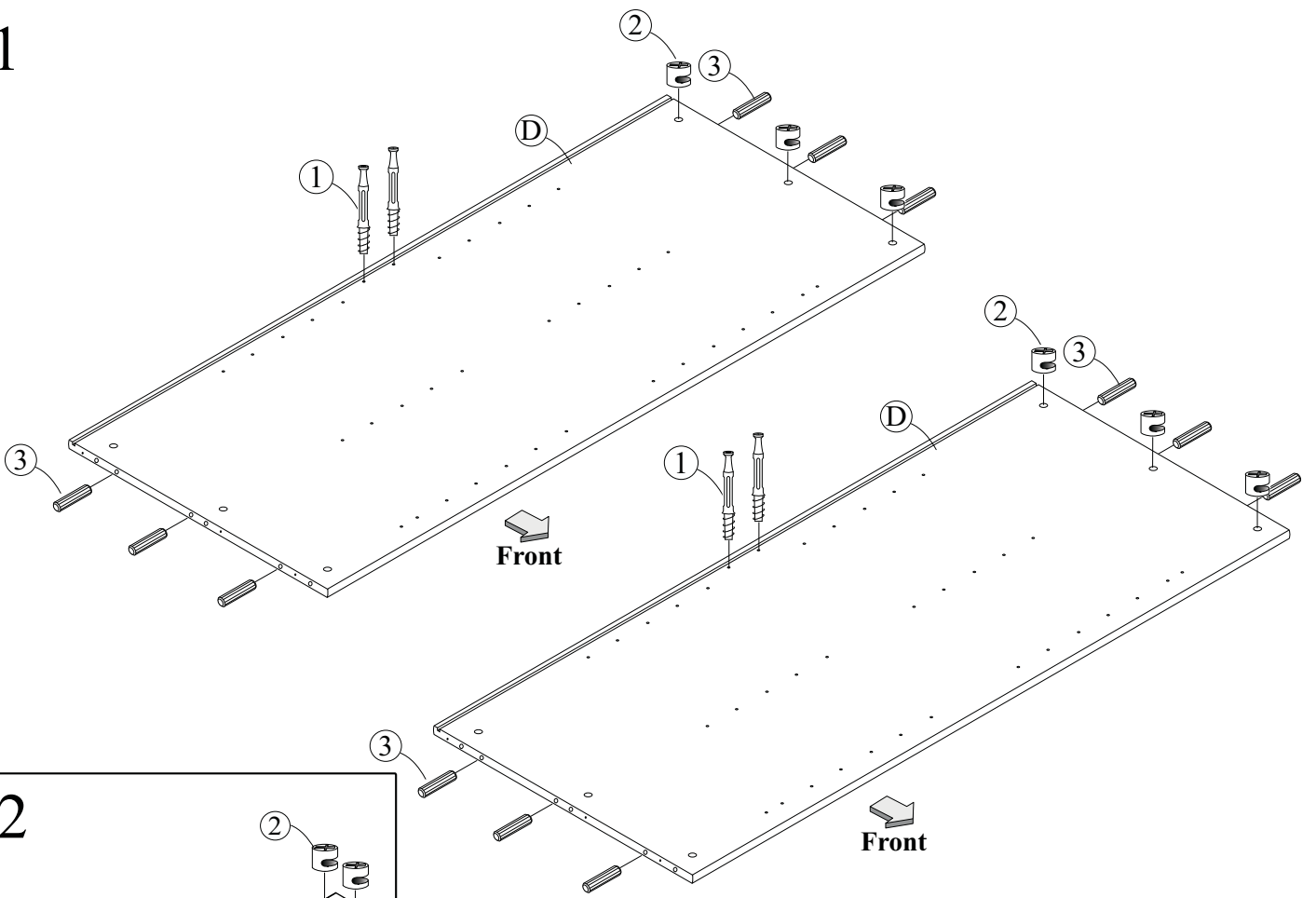
(GB) Wardrobe



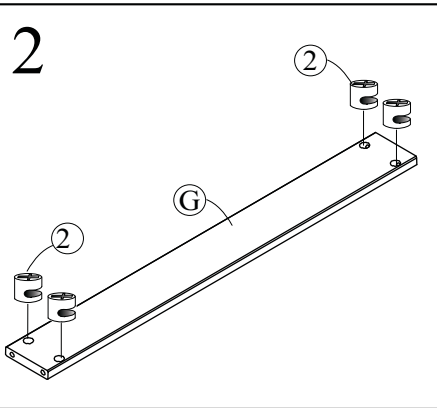
Du trenger også et stjerne-skrudjern og en hammer.
You also need a crosshead screwdriver and a hammer.
Zusätzlich brauchen Sie einen Kreuzschraubenzieher und einen Hammer.



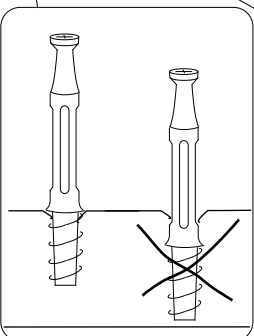
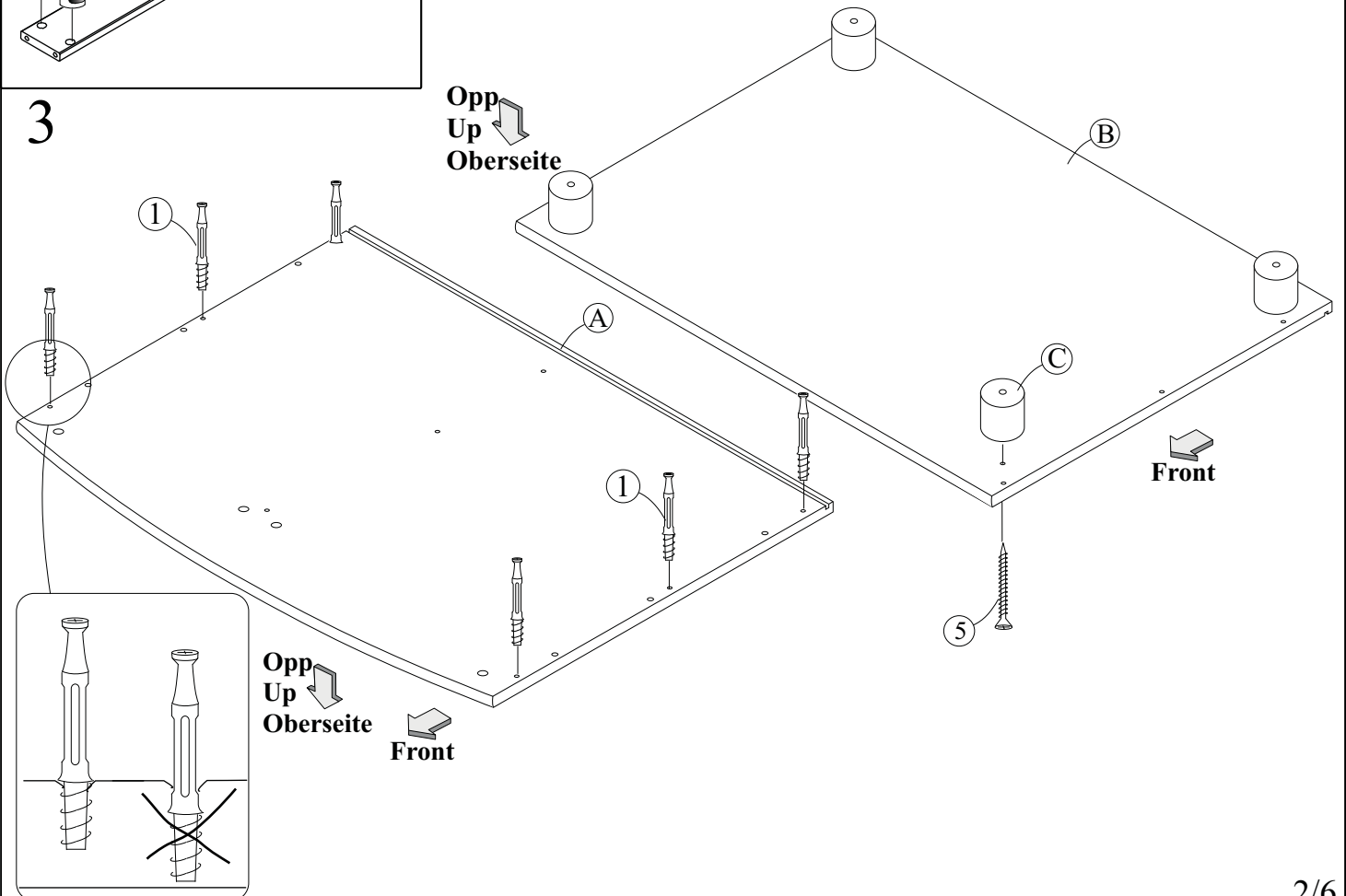
1



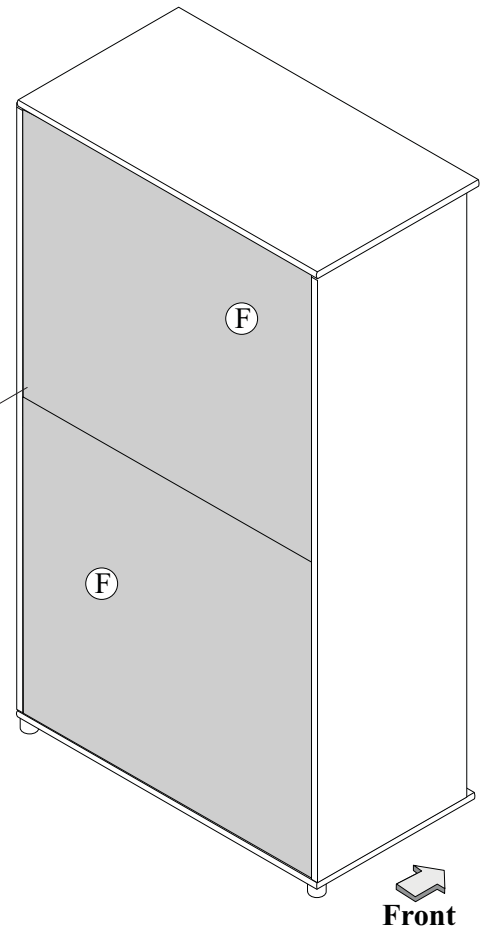
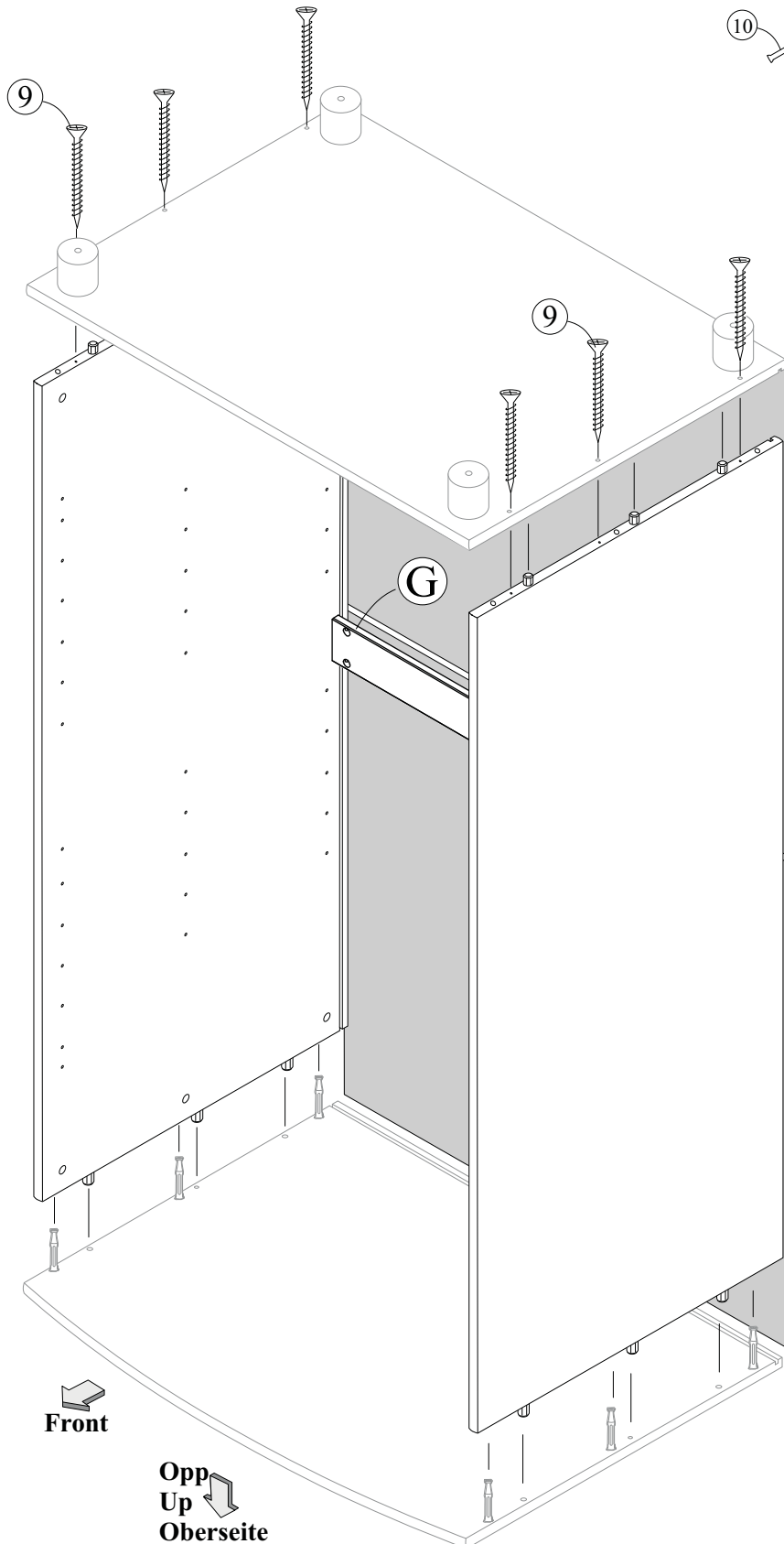
2



3

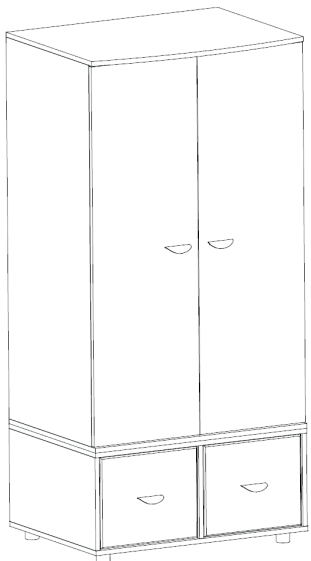
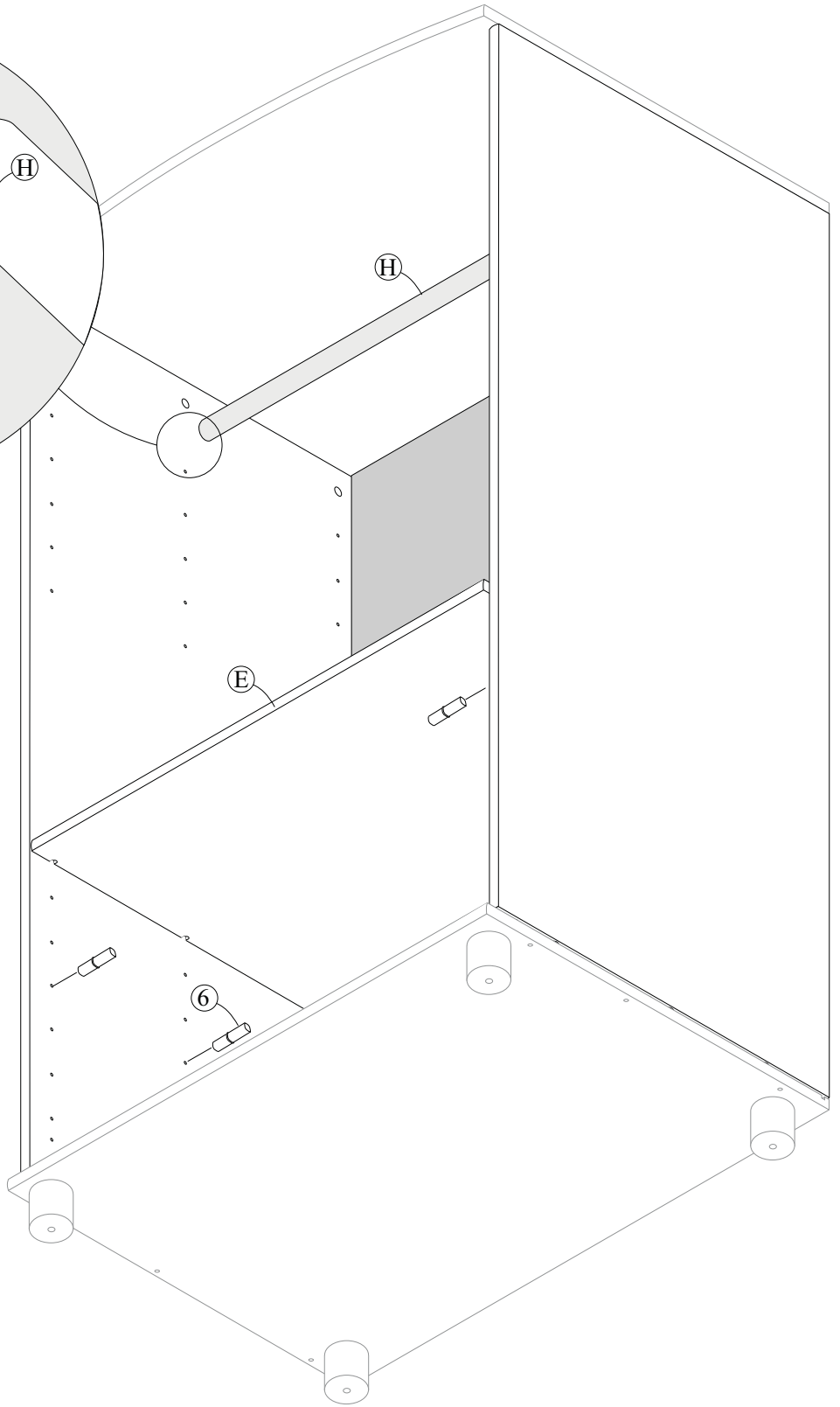
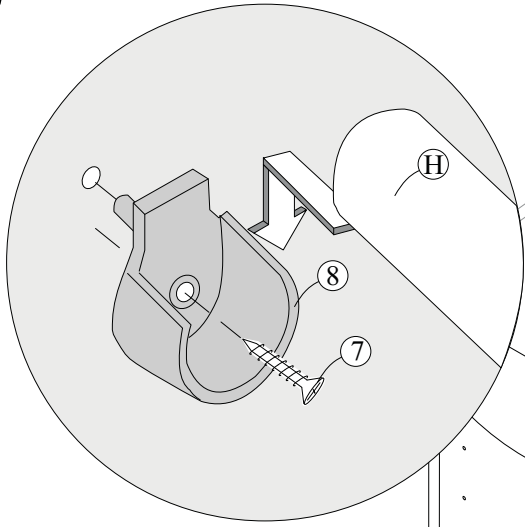


4

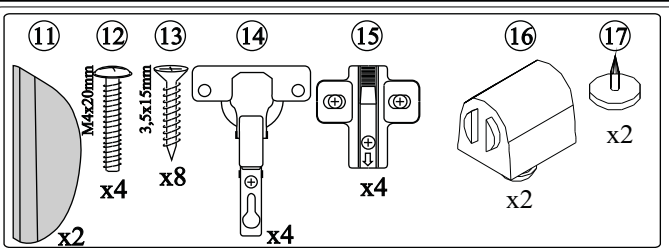
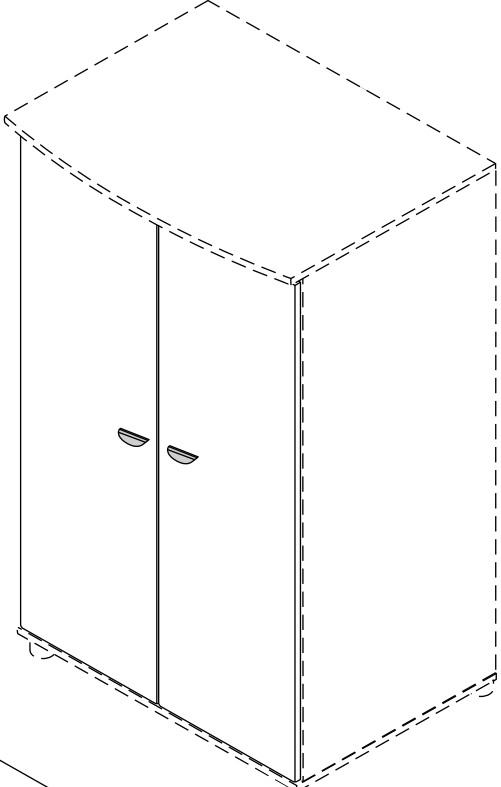


Husk å trekke til alle
eksenternutterene !
Remember to tighten
all the eccentric houses!
Nicht zu vergessen, alle
Gehäuse müssen fest-
gezogen werden !

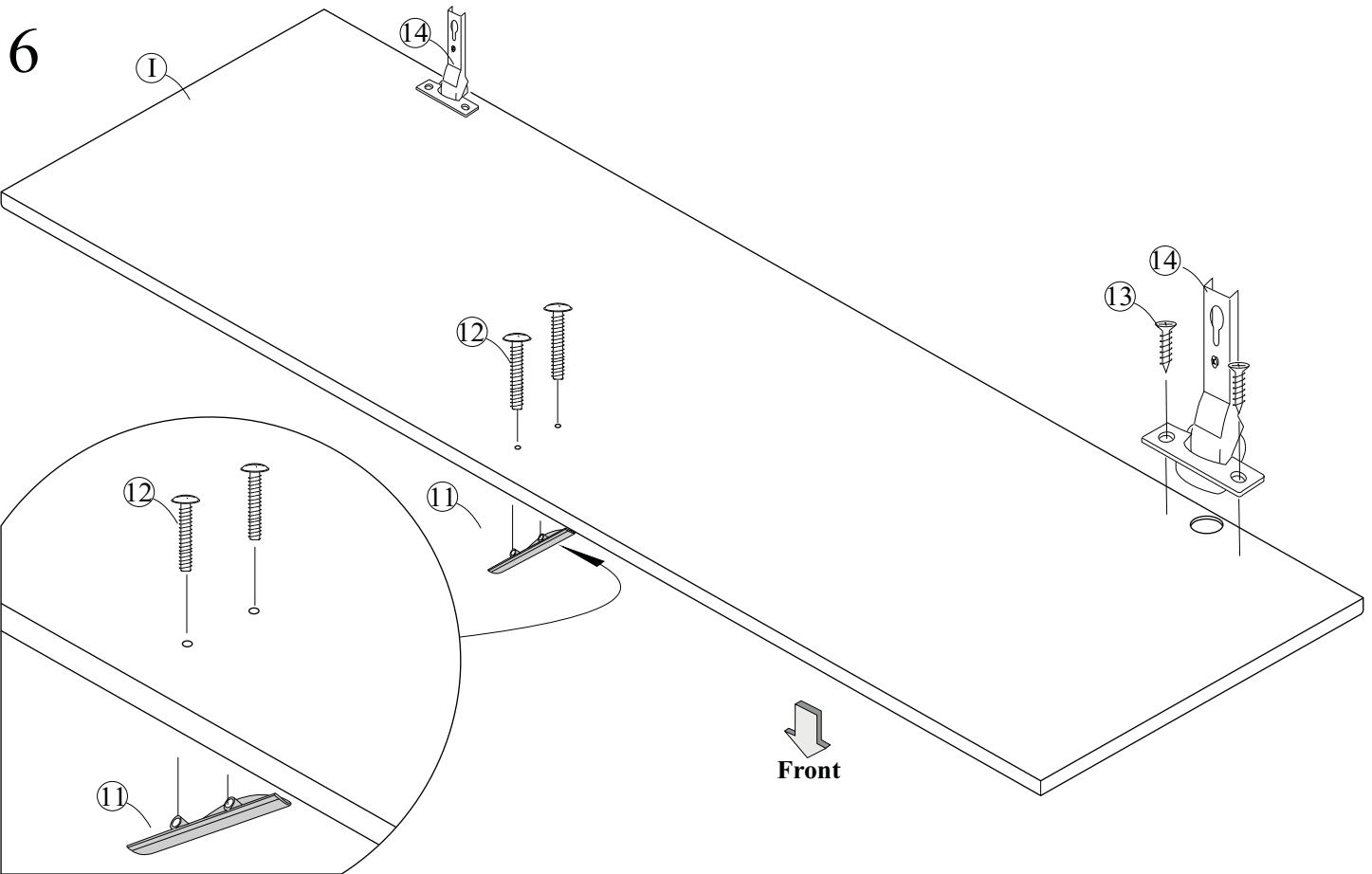
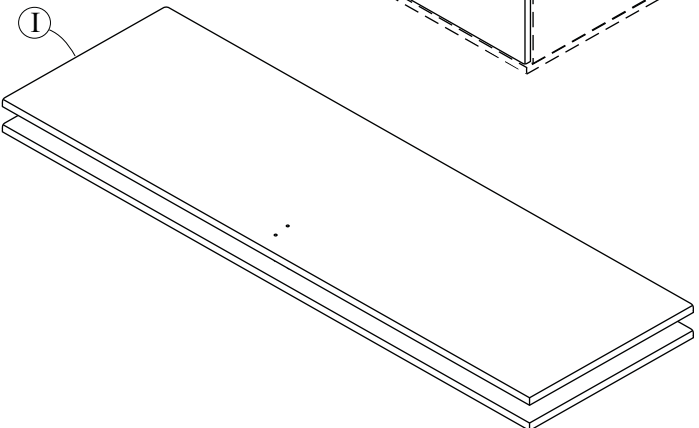
5



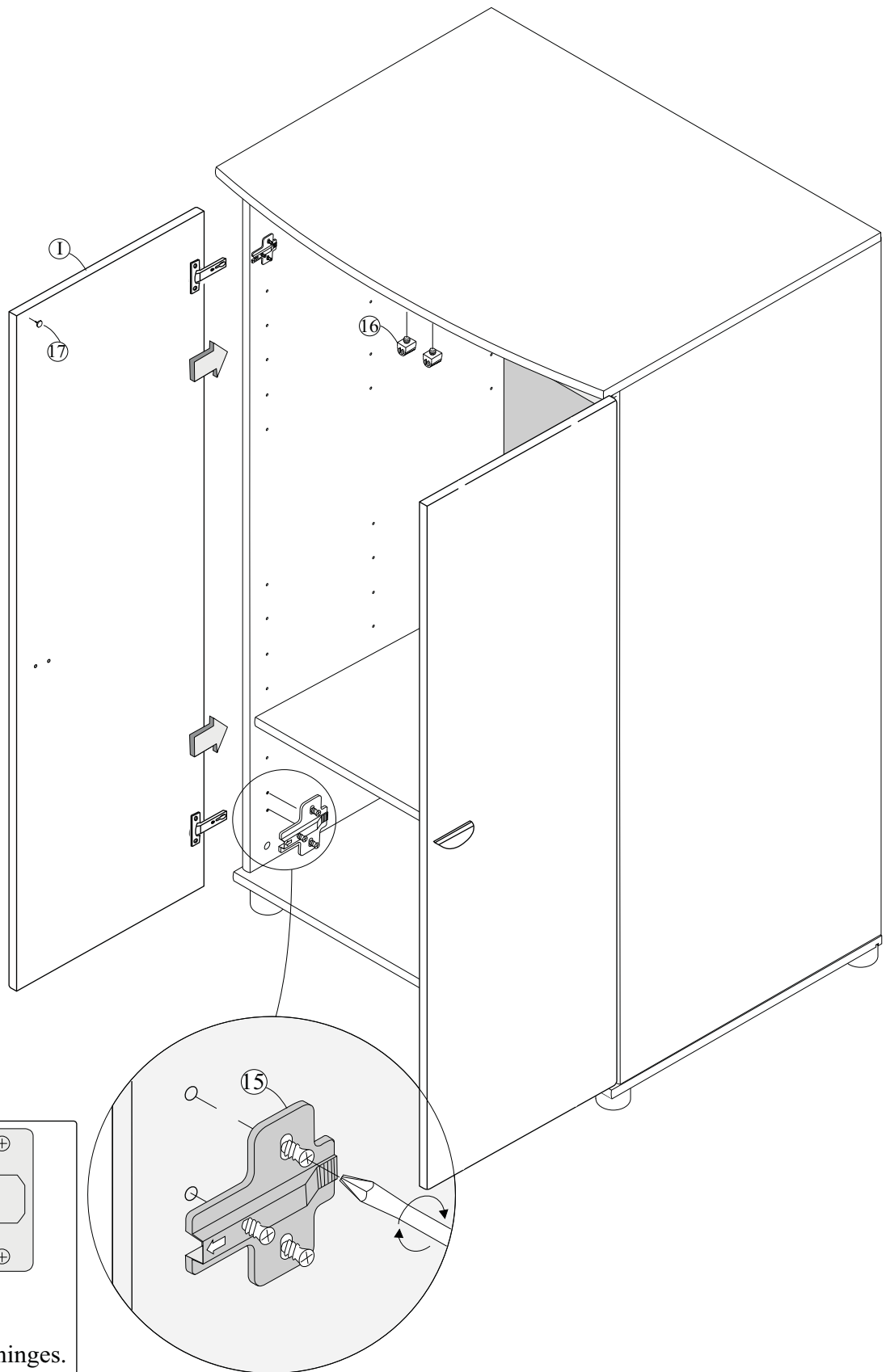
To Buid up wardrobe with extra (A063) unit, use screws No 4 to fix Wardrobe with this!



Du trenger også et stjerne-skrudern og en hammer.
 You also need a crosshead screwdriver and a hammer.



7



United Kingdom:

If anything should fail to give satisfaction, please contact your STOMPA stockist with details of any problems with the product. Please quote Art number & serial number on any correspondence.

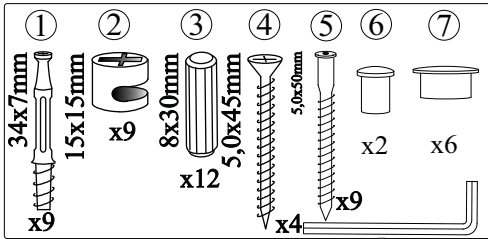
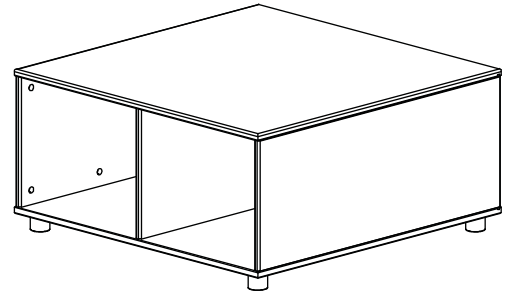
Stompa UK
The Old Mill House
Dockfield Road, Shipley
West Yorkshire, BD17 7AE
E-mail: stompa@stompa.com
www.stompa.com

Stompa®

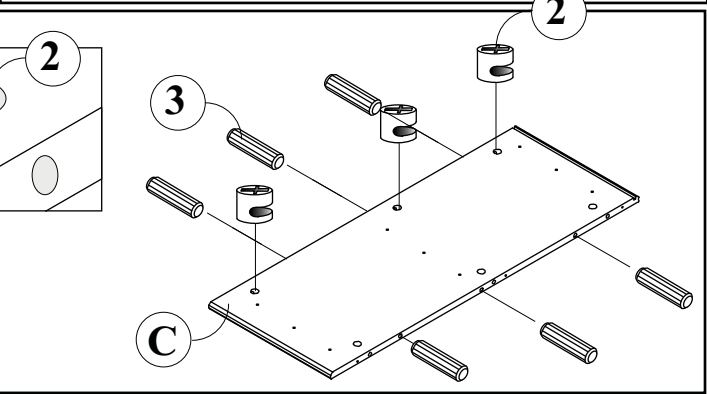
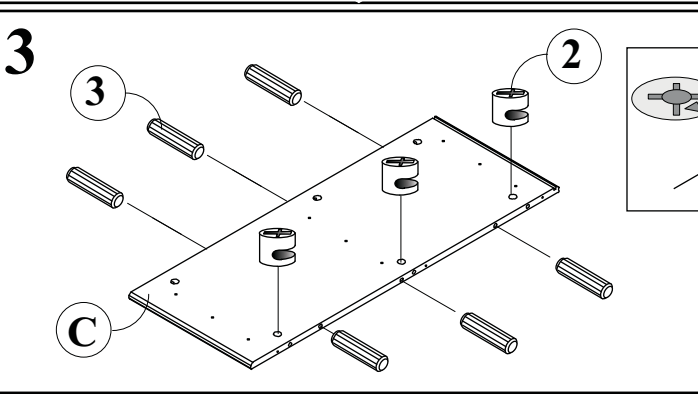
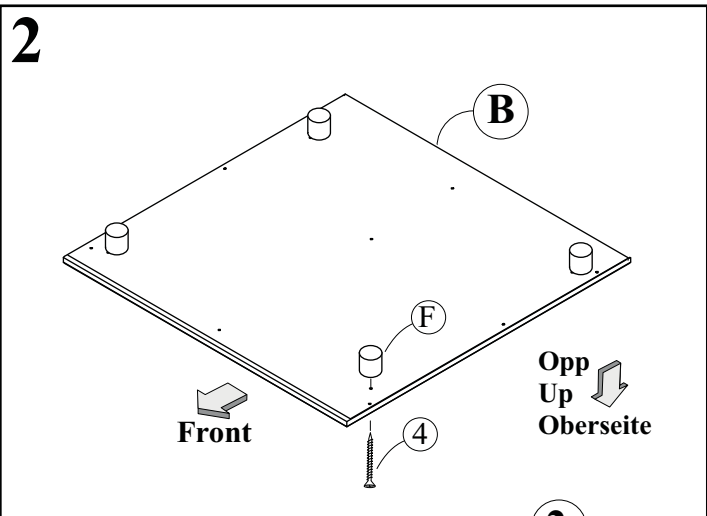
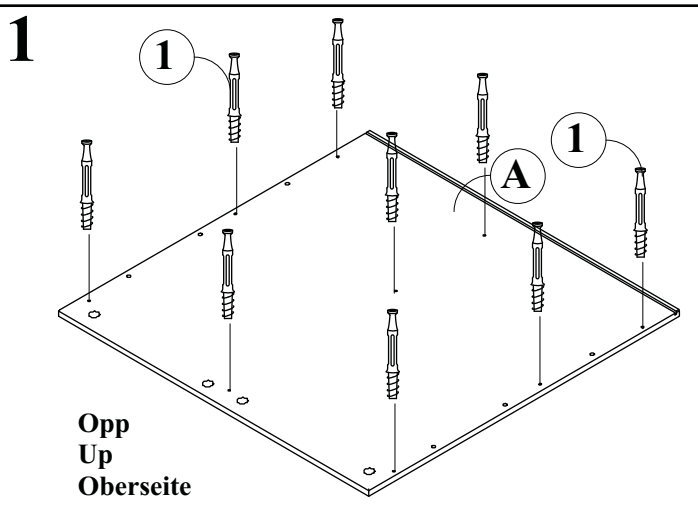
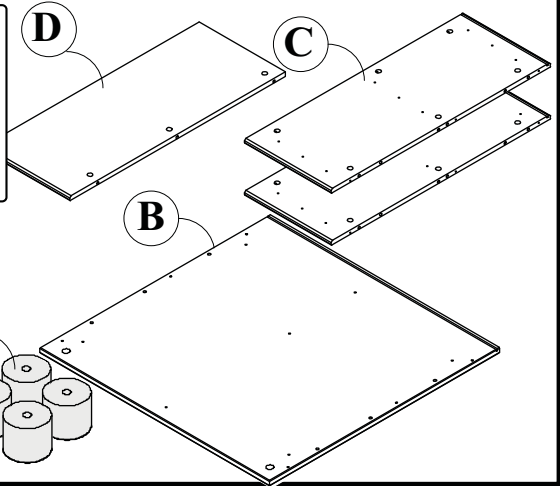
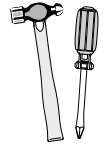
www.stompa.com

Art.nr. A063

- (N) TV-bord
- (GB) TV-table
- (D) TV-Tisch



Du trenger også et stjerne-skrudjern og en hammer.
You also need a crosshead screwdriver and a hammer.
Zusätzlich brauchen Sie einen Kreuzschraubenzieher und einen Hammer.

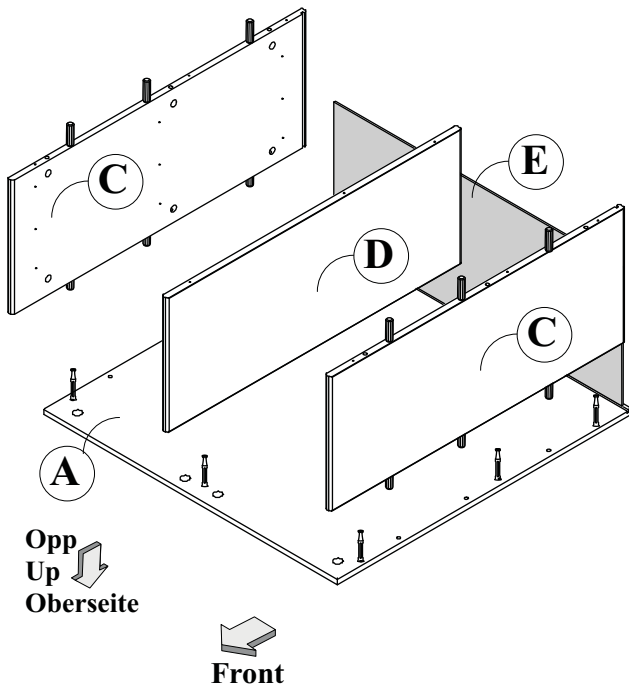


United Kingdom:

If anything should fail to give satisfaction, please contact your STOMPA stockist with details of any problems with the product. Please quote Art number & serial number on any correspondence.

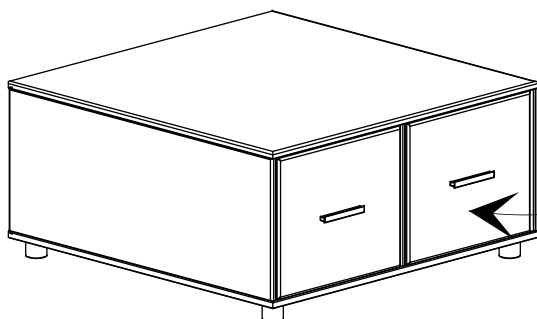
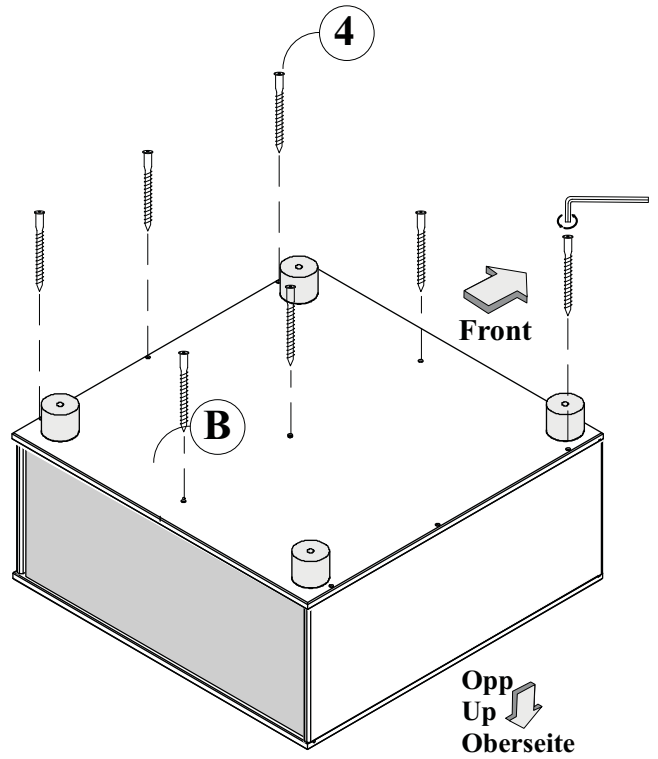
Stompa UK
The Old Mill House
Dockfield Road, Shipley
West Yorkshire, BD17 7AE
E-mail: stompa@stompa.com
www.stompa.com

4



Husk å trekke til alle
eksentermutterene !
Remember to tighten
all the eccentric houses!
Nicht vergessen: Alle
Gehäuse müssen
festgezogen werden!

5



Art.nr. 182

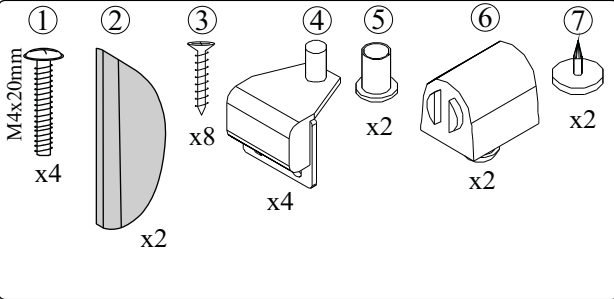
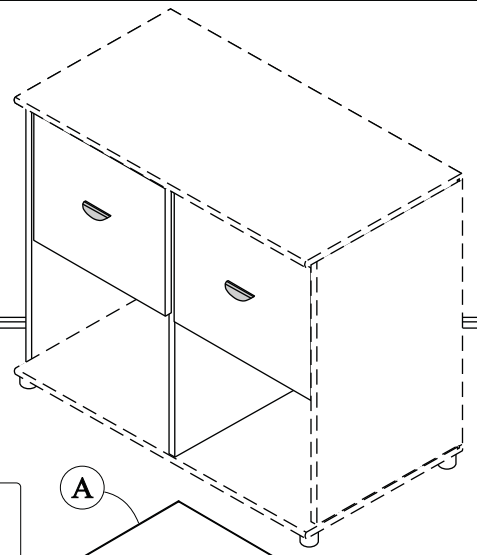
GB Set of 2 doors

Stompa®

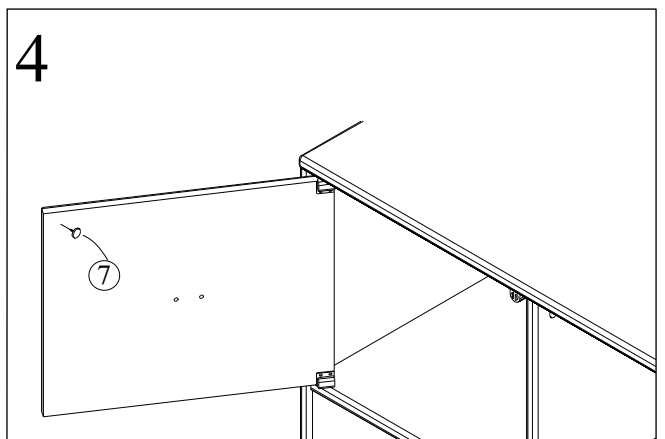
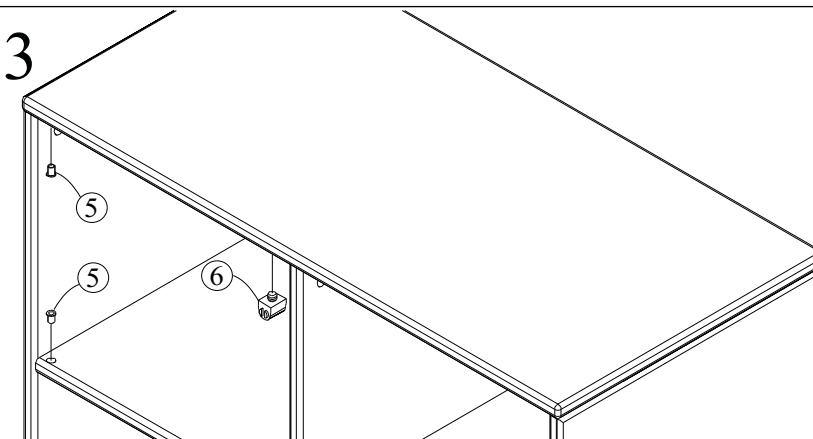
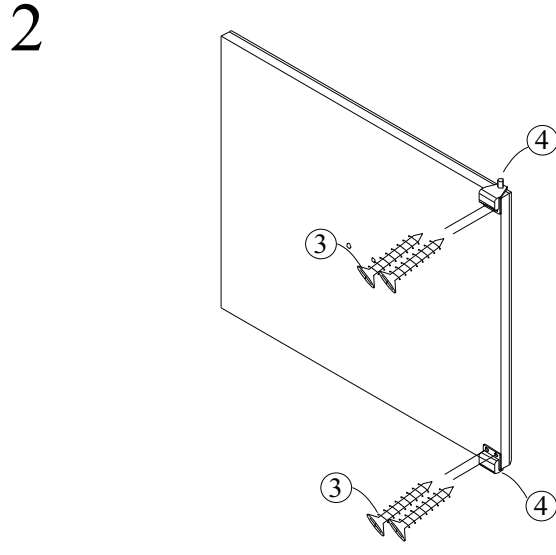
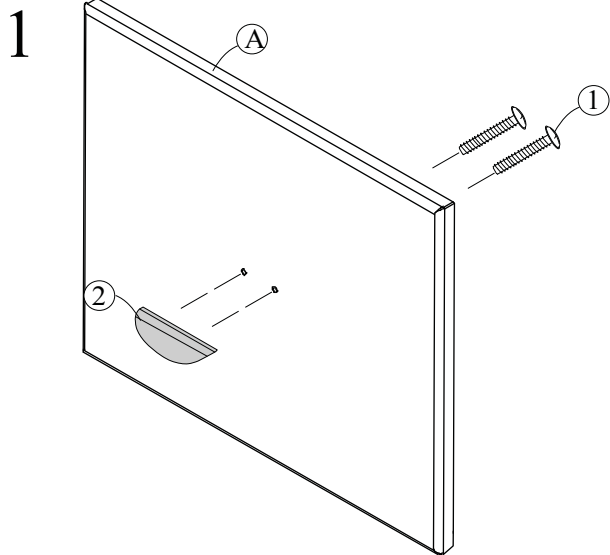
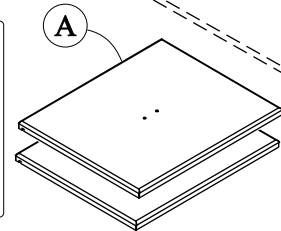
WWW.STOMPA.COM

Art.nr. 182

GB Set of 2 doors



Du trenger også et stjerne-skrudjern.
You also need a crosshead screwdriver.
Zusätzlich brauchen Sie einen Kreuzschraubenzieher.



United Kingdom:

If anything should fail to give satisfaction, please contact your STOMPA stockist with details of any problems with the product. Please quote Art number & serial number on any correspondence.

Stompa UK
The Old Mill House
Dockfield Road, Shipley
West Yorkshire, BD17 7AE
E-mail: stompa@stompa.co.uk
www.stompa.co.uk