

Dimensions

Width - 105,0cm

Depth - 70,0cm

Height - 68,1cm

Important- Please read these instructions fully before starting assembly

If you need help or have damaged or missing parts, call the **Customers Helpline:** 0844 8008475



Instructions for use

IMPORTANT, READ CAREFULLY- RETAIN FOR FUTURE REFERENCE

WARNING: This product is suitable for children above the age of 6 years old.

Before starting assembly:

*Do not use this item if any structural part is broken or missing.

*Check you have all the components and tools listed.

*Remove all fittings from the plastic bags and separate them into their groups.

*Keep children and animals from the work area, small parts could choke if swallowed.

*Make sure you have enough space to lay out the parts before starting.

*Assemble the items as close to its final position (in the same room) as possible.

*Assemble on the soft level surface to avoid damaging the unit or your floor.

*This furniture meets the european standard certification BS 4875-7:2006, FRQG C001:2008 & FRQG C004:2008



We do not recommend the use of power drills/drivers for inserting screws, as this could damage the unit. Only use hand screwdrivers.

*Dispose of all packaging carefully and responsibly.

*Assembly should be carried out by competent adult only.

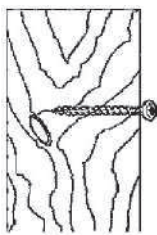
Care and maintenance:

* Only clean using a damp cloth and mild detergent, do not use bleach or abrasive cleaners.

*Regularly check all fastenings to ensure that they properly tightened.

*Our furniture will endure most temperatures in the home but it is best to avoid placing furniture next to the heat sources such as radiators or fires. Be particularly careful with solid wood as the lack of humidity caused by central heating can cause damage such as warping.

Wall Fixing (if required)



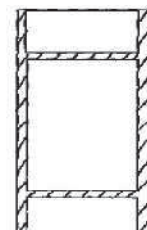
Wood

If fixing to wood make sure that it isn't chipboard as screws can easily pull away.



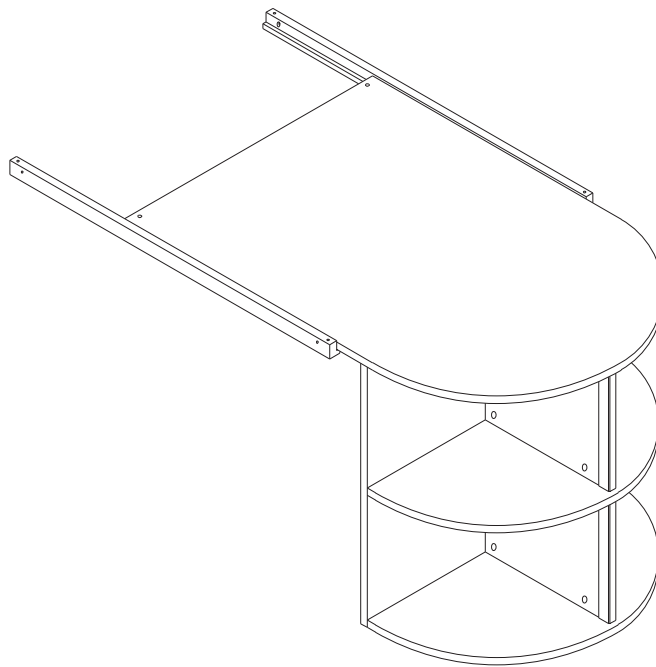
Brick or Masonary

Use an appropriate wall plug provided you are sure your wall is sound.



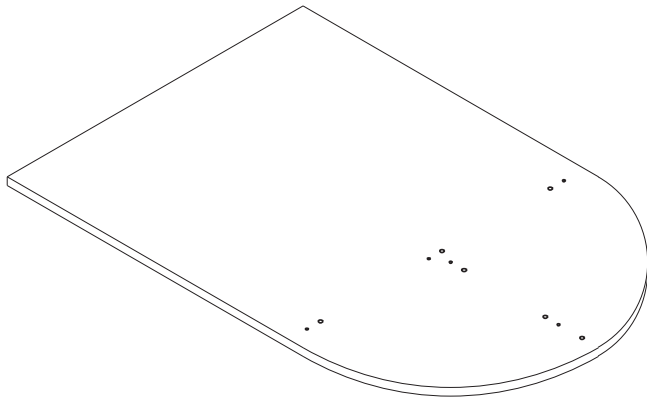
Cavity wall

Special toggle wall plugs are needed. Seek expert advice.

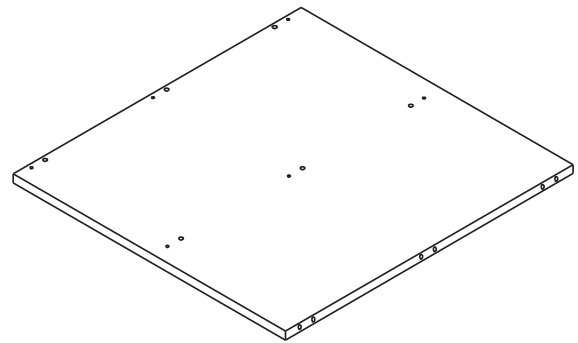


Components- Panels

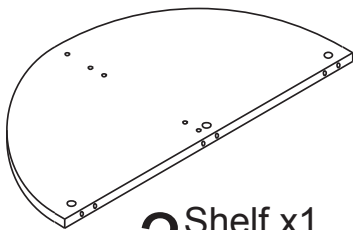
Please check that you have the panels listed below



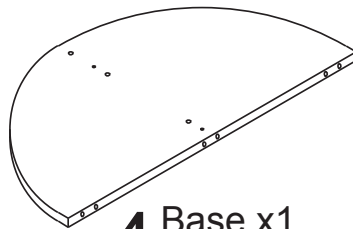
1 Top x1
(105,0x70,0x1,8 cm)



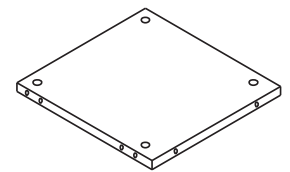
2 Back panel x1
(64,4x68,2x1,8 cm)



3 Shelf x1
(68,2x36,5x1,8 cm)



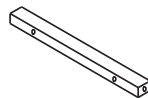
4 Base x1
(68,2x36,5x1,8 cm)



5 Partition panel x2
(30,4x32,0x1,8 cm)



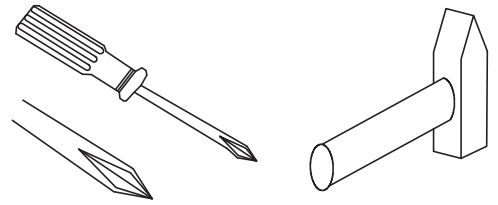
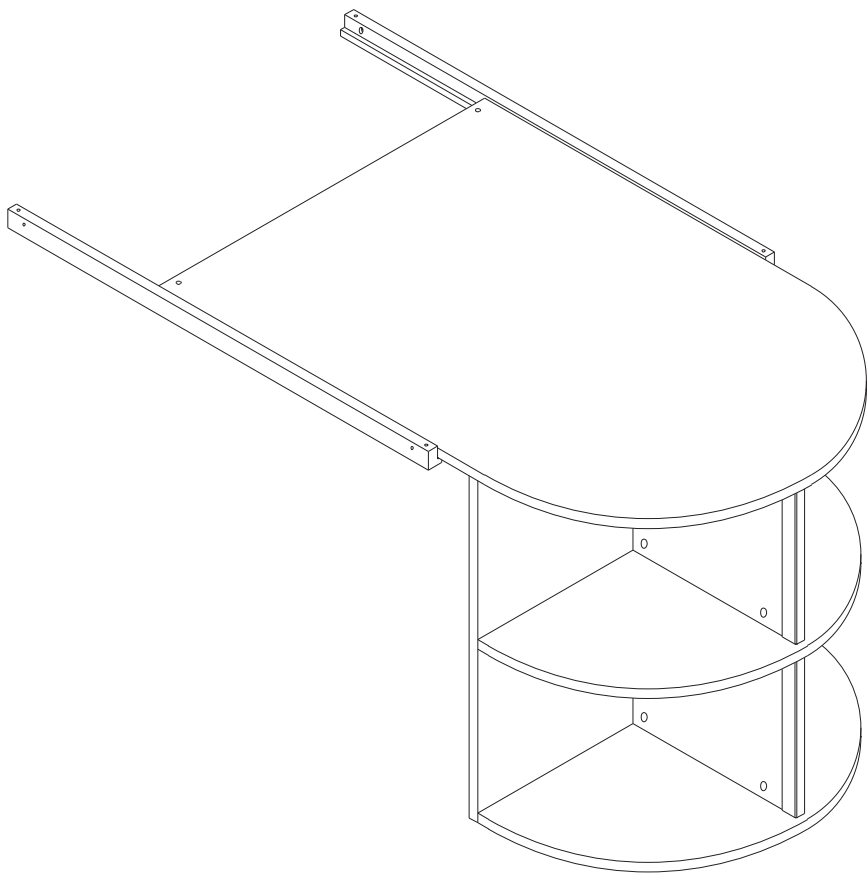
6 Support rail x2
(90,0x3,5x2,8 cm)



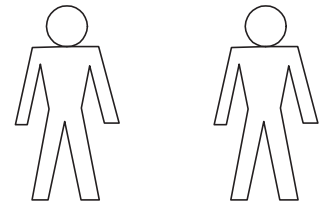
7 Front slat x2
(30,4x3,0x2,0 cm)



8 Leg x3
(6,0x3,0x2,7 cm)







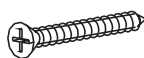
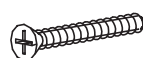
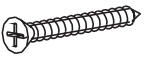


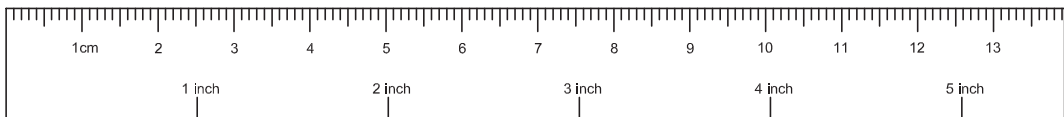
Tools that are needed



Components- Fittings

Please check that you have the fittings listed below

| | | | | | |
|--------------------------------------------------------------------------------------------------------------------------------|-------------------------------------------------------------------------------------------------------------------------------|---------------------------------------------------------------------------------------------------------------------------------|-----------------------------------------------------------------------------------------------------------------------|----------------------------------------------------------------------------------------------------------------------------------|---------------------------------------------------------------------------------------------------------------------------------|
| <p>A</p>  <p>Ø7x36 x13</p> | <p>B</p>  <p>Ø7x68 x2</p> | <p>C</p>  <p>Ø15x14 x17</p> | <p>D</p>  <p>x17</p> | <p>E</p>  <p>Ø8x30 x21</p> | <p>F</p>  <p>Ø8x50 x3</p> |
| <p>G</p>  <p>Ø3,5x25 x6</p> | <p>H</p>  <p>Ø4x50 x4</p> | <p>I</p>  <p>Ø4x35 x2</p> | | | |



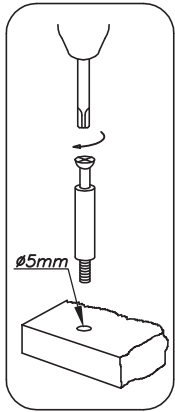
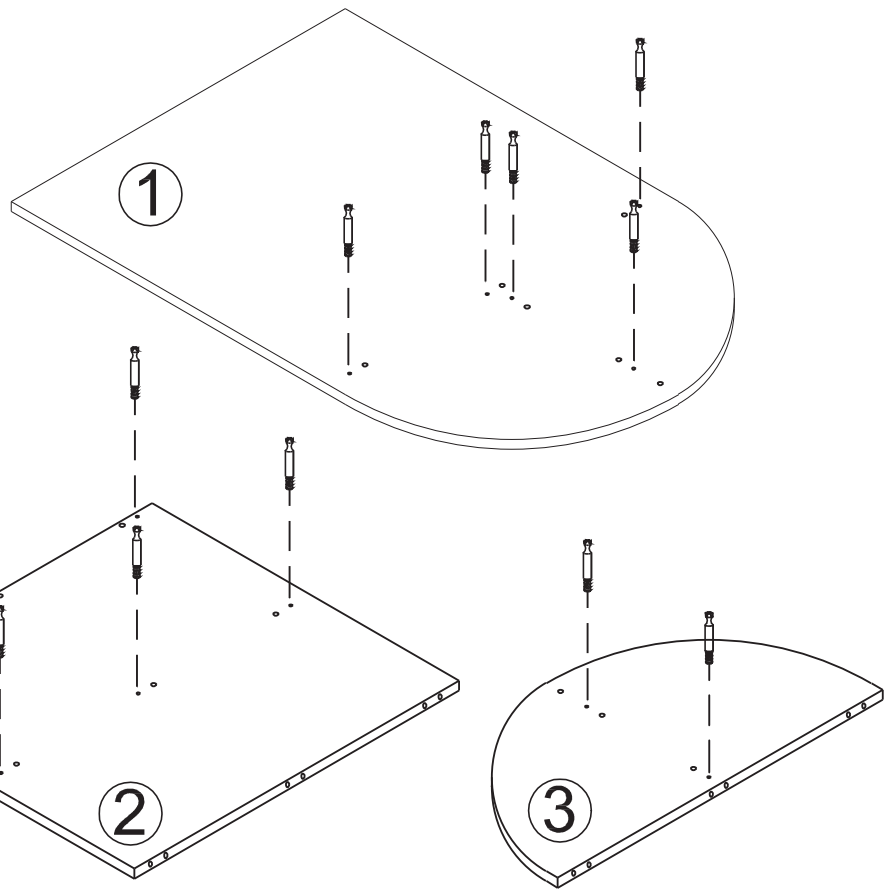
Rulers- Use this ruler to help correctly identify the screws

Step 1

In this step use these fittings:

A x13

Place eccentric bolts A in Pull Out Desk: top, back panel, base, by using Phillips head screwdriver.
Do not overtight!



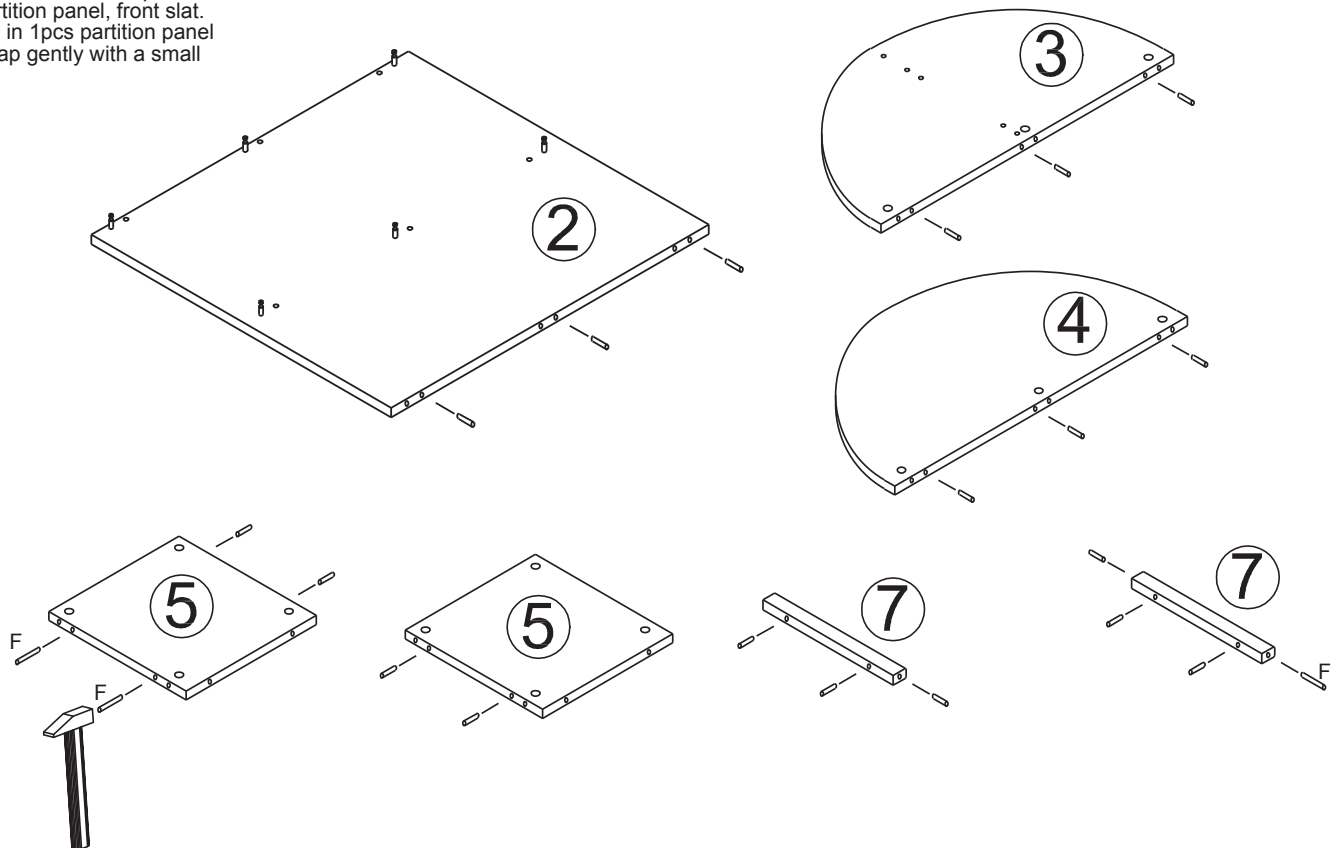
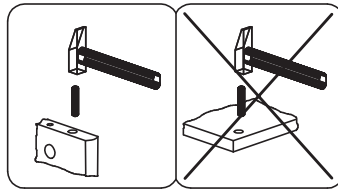
Step 2

In this step use these fittings:

E x19

F x3

Insert dowels E in sides, back panel, shelf, base, partition panel, front slat.
Insert dowels F in 1 pcs partition panel and front slat. tap gently with a small hamer.



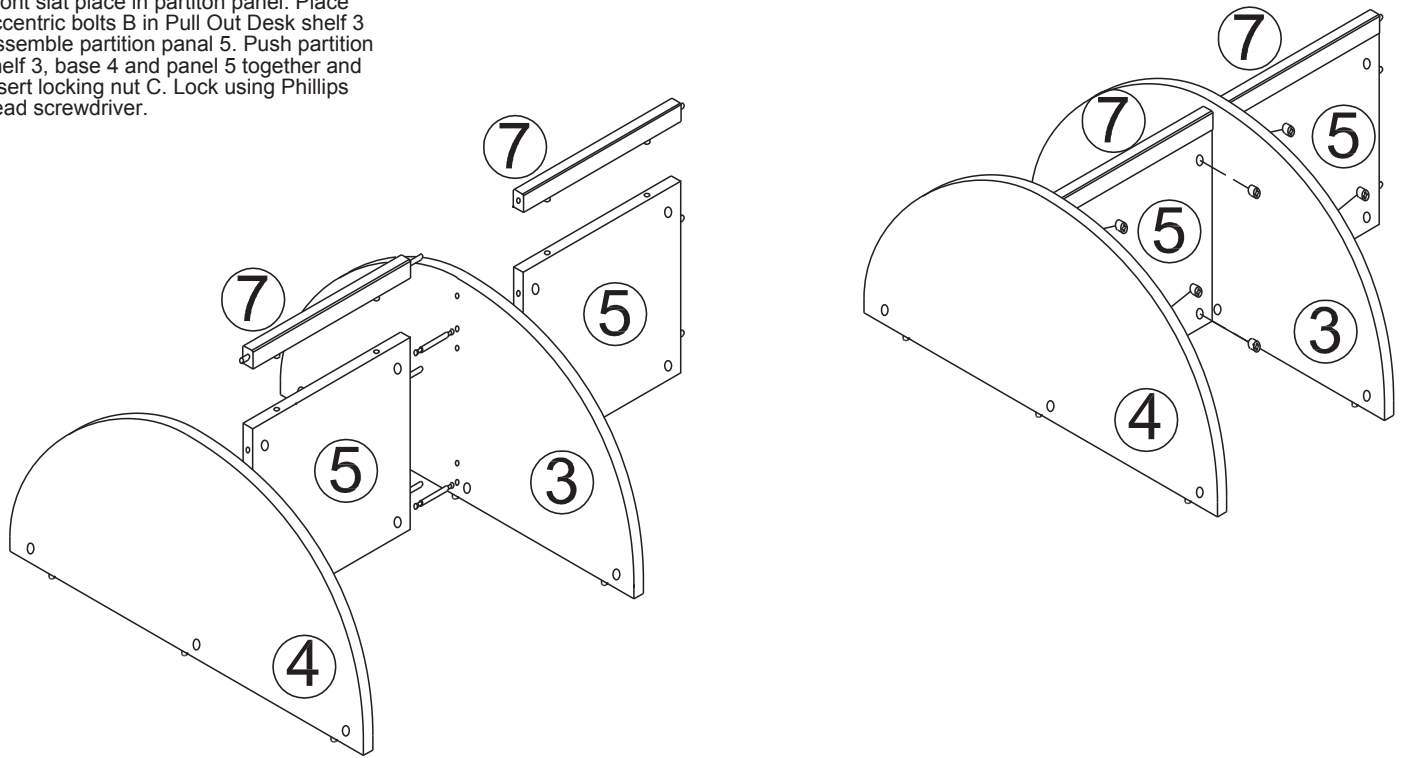
Step 3

In this step use these fittings:

B x2

C x6

Front slat place in partion panel. Place eccentric bolts B in Pull Out Desk shelf 3 Assemble partition panel 5. Push partition shelf 3, base 4 and panel 5 together and insert locking nut C. Lock using Phillips head screwdriver.

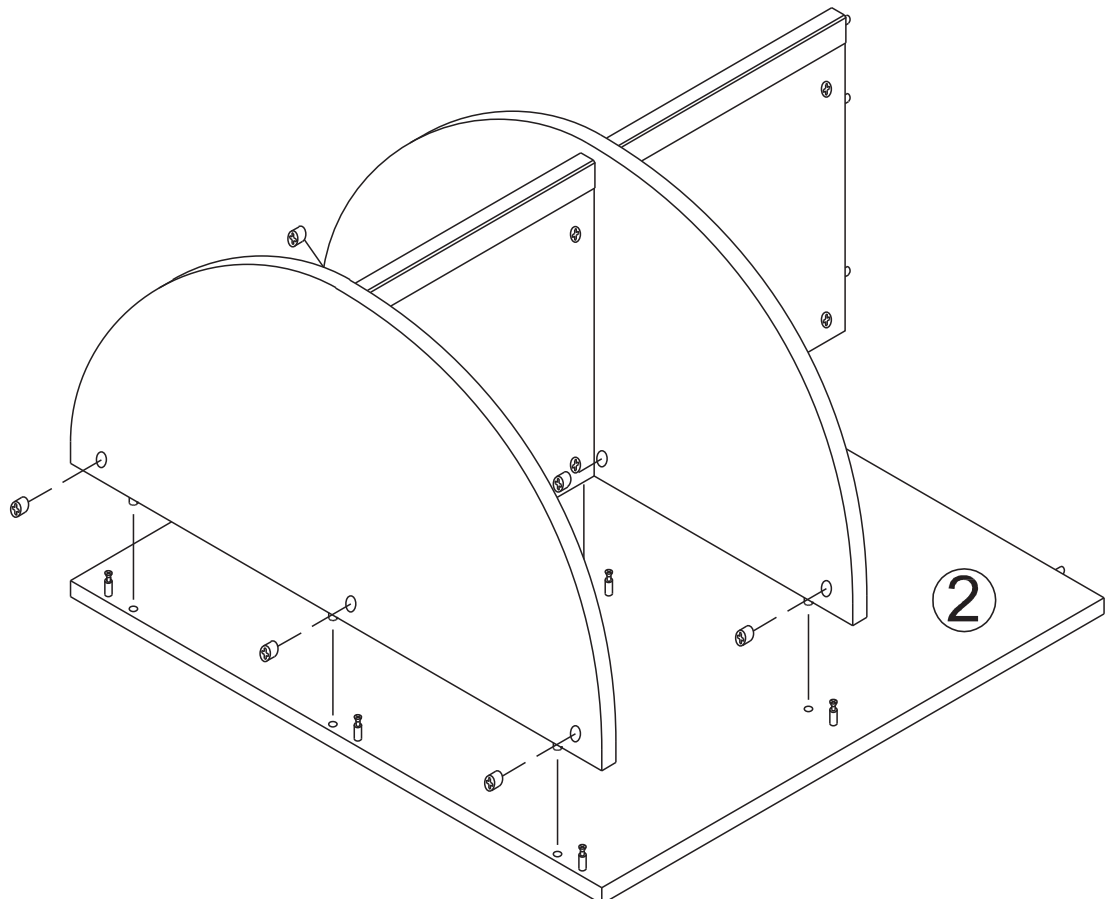


Step 4

In this step use these fittings:

C x6

Assemble fixed shelf Push back panel 2, together, insert locking nuts C.

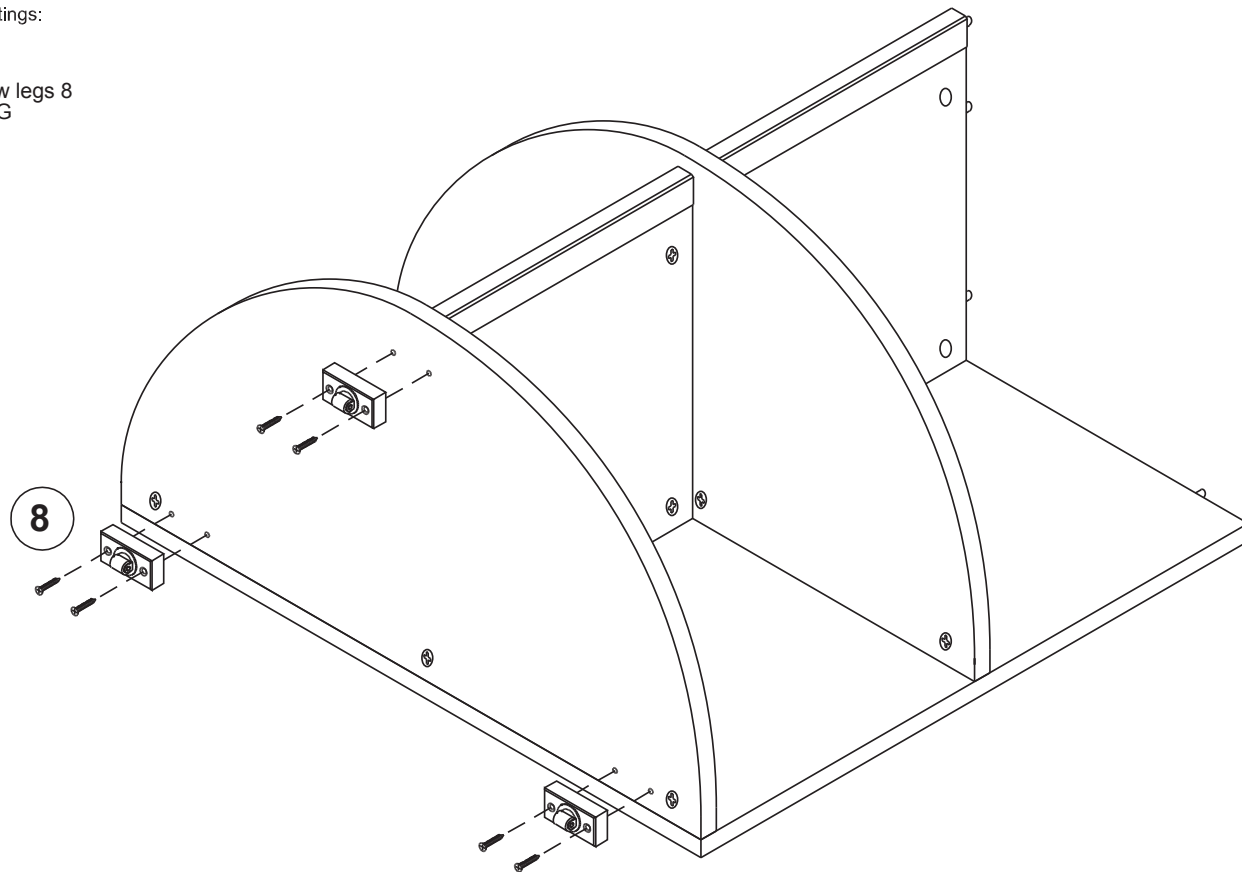


Step 5

In this step use these fittings:

G x6

Assemble legs. Screw legs 8 in place with screws G using Phillips head screwdriver.

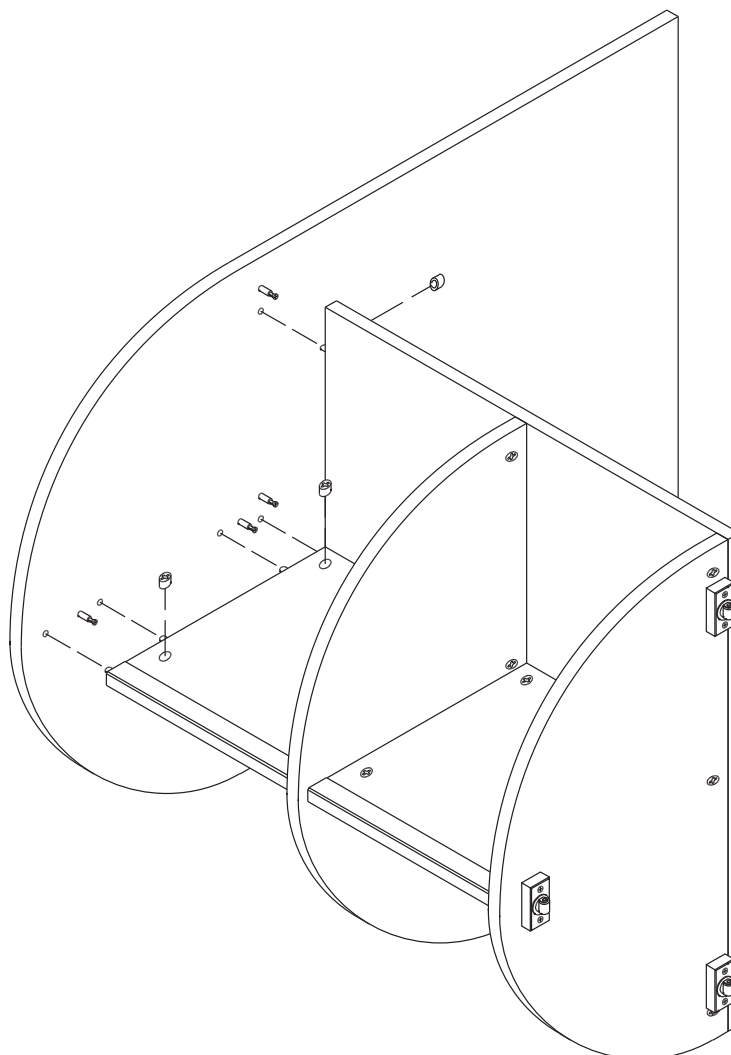


Step 6

In this step use these fittings:

C x5

Assemble fixed shelf Push top 2, together, insert locking nuts C.

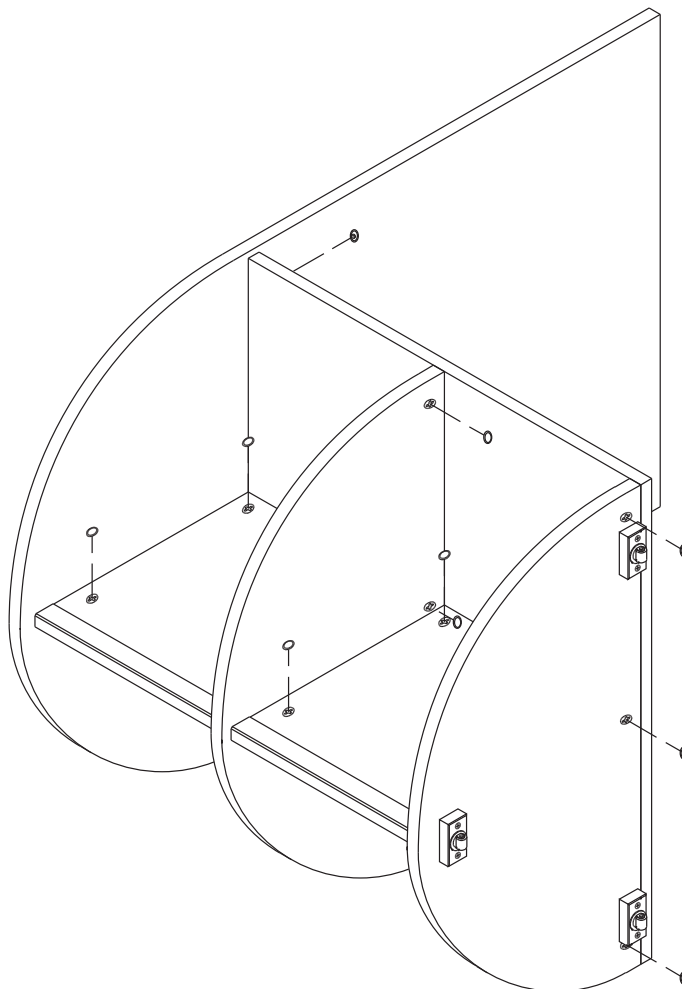


Step 7

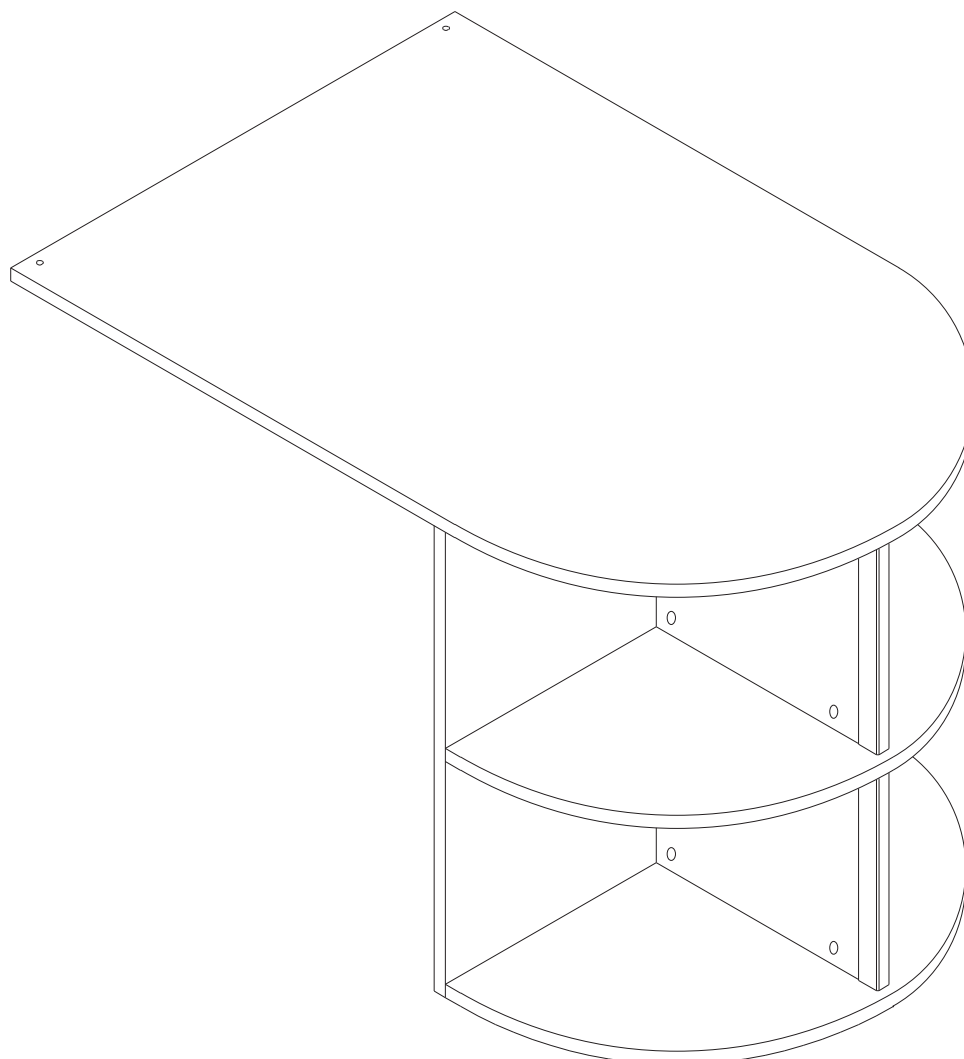
In this step use these fittings:

D x17

Cover the nuts C using the cover cap D.



Step 8

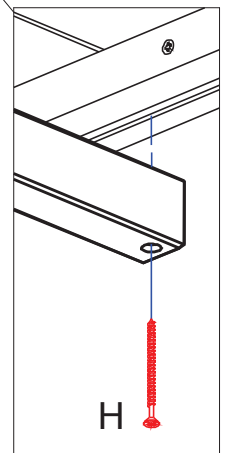
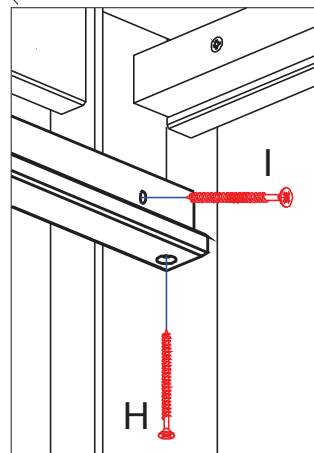
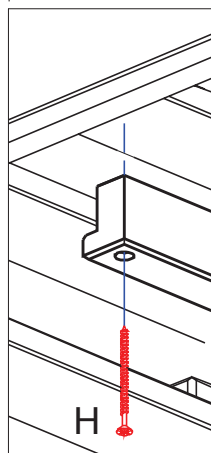
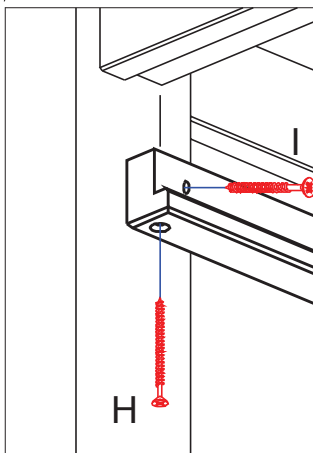
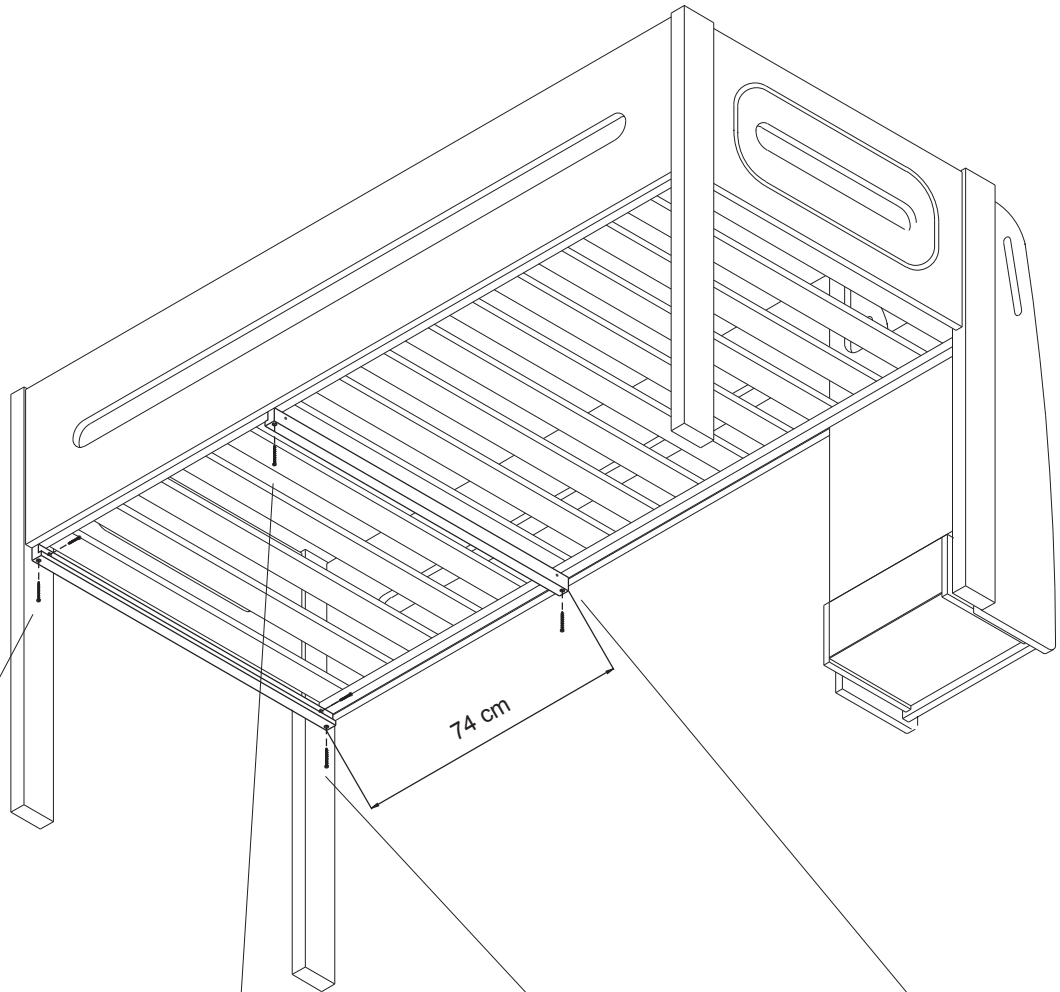
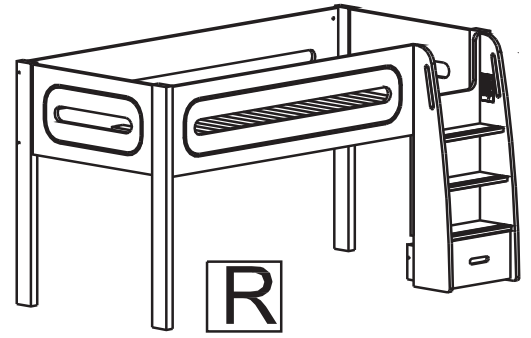
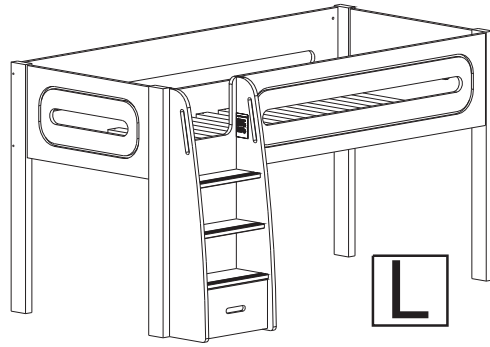


Step 9

In this step use these fittings:

H x4
I x2

Attach Pull Out Desk to your bed.
Decide which side you want
to position desk.

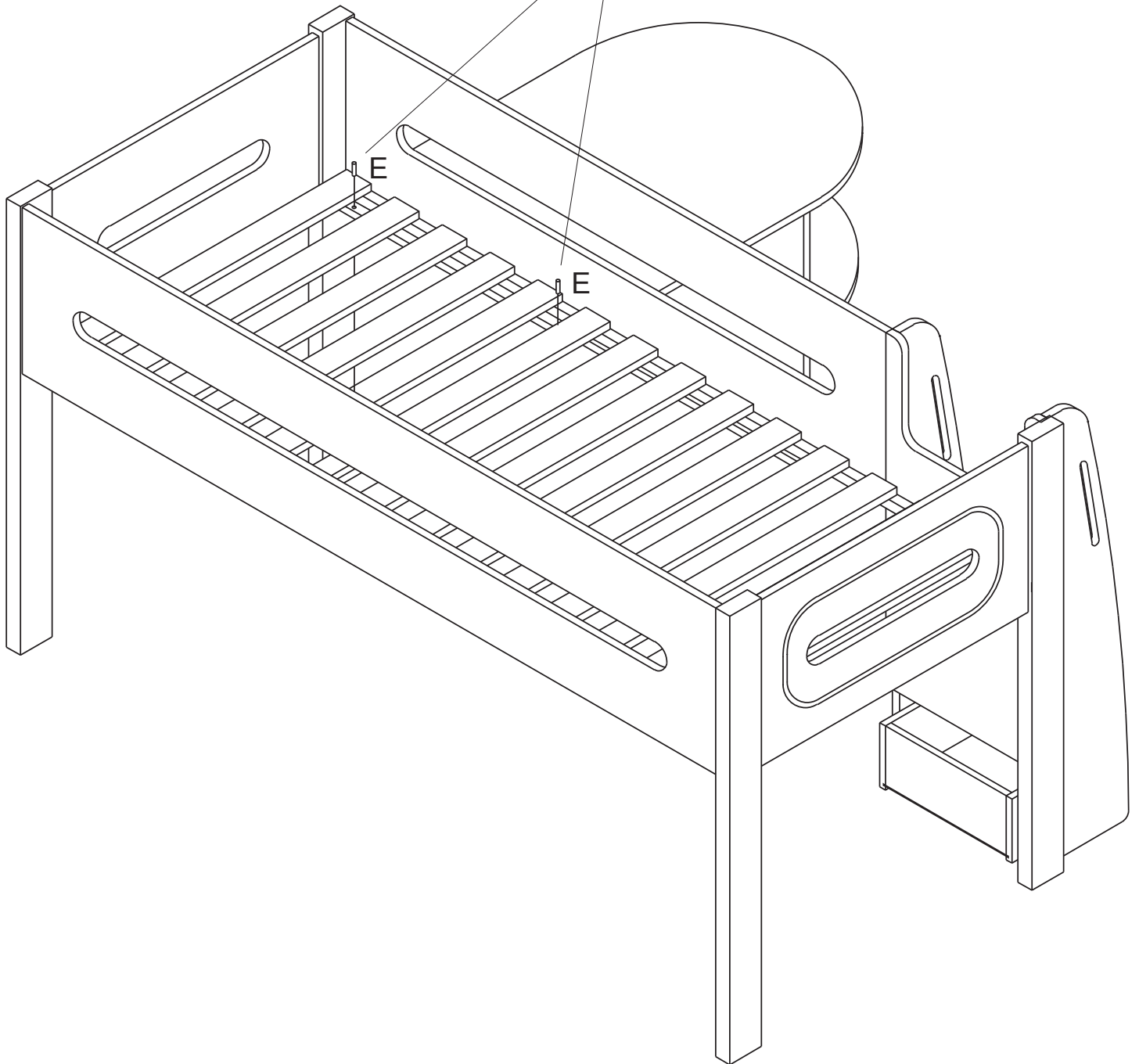
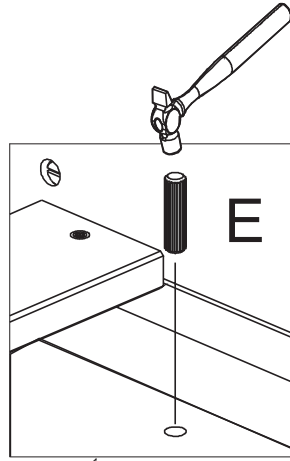


Step 10

In this step use these fittings:

E x2

It is very important for your children's safety that you mount the two dowels in the top. They prevent pulling the Pull Out Desk too far.



Customer Service Form

Please return complete to

Fax: 0560 1132071

Name: _____

Address: _____

Contact No: _____

Date of purchase: _____

Place of purchase: _____

Product Name: _____

See assembly instructions:

Problem: _____

Parts Needed: Part No. Quantity Description

Please quote assembly
instruction or number

e.g drawer base
