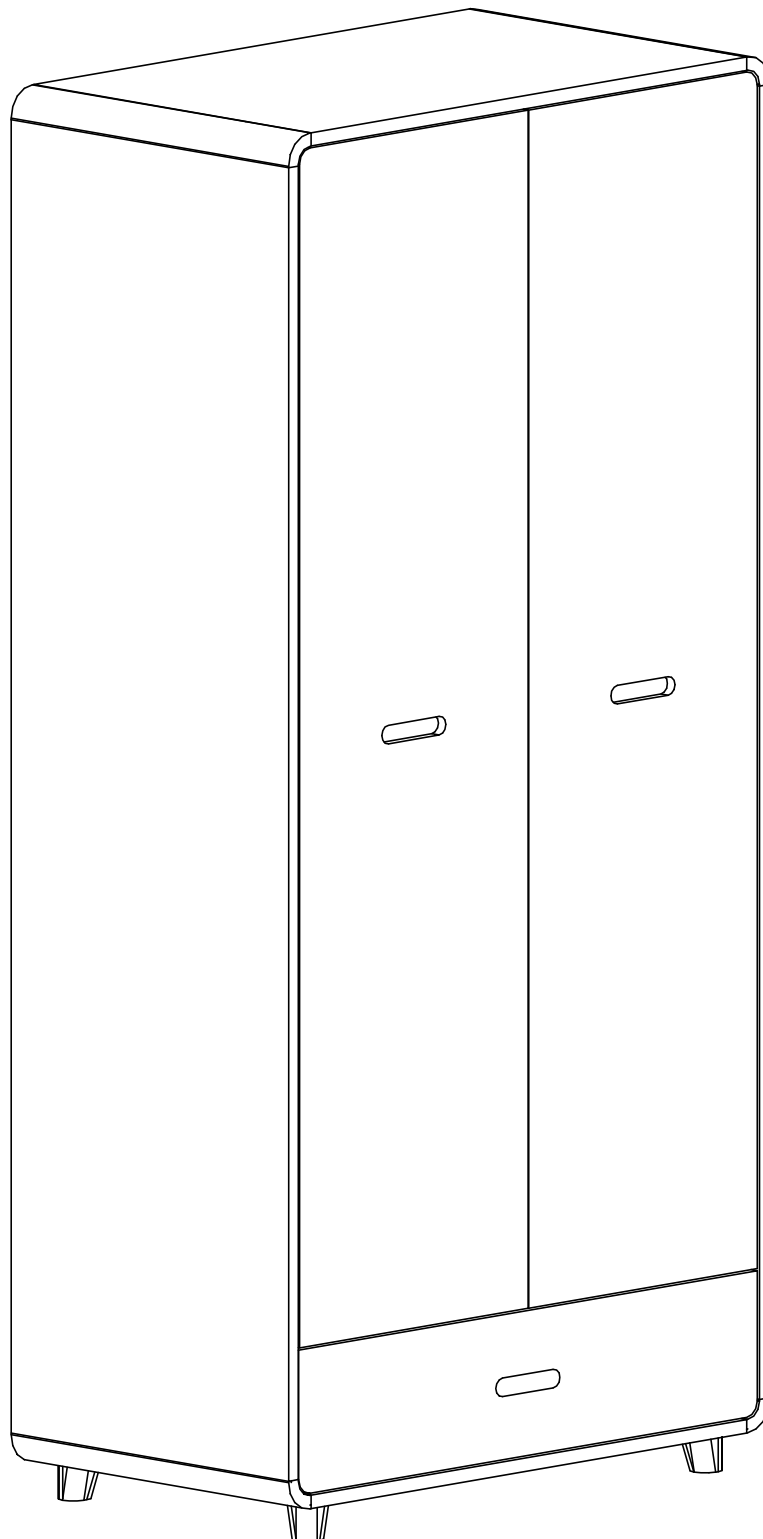


# 2 door 1 drawer wardrobe

Assembly instructions - please keep for future reference

80364555



**Dimensions**

Width-90,0cm  
Depth-52,0cm  
Height-190,0cm

**Important-** Please read these instructions fully before starting assembly

If you need help or have damaged or missing parts, call the Customers Helpline:



# Instructions for use

## IMPORTANT, READ CAREFULLY- RETAIN FOR FUTURE REFERENCE

**WARNING:** This product is suitable for children above the age of 3 years old

### Before starting assembly:

\*Do not use this item if any structural part is broken or missing.

\*Check you have all the components and tools listed.

\*Remove all fittings from the plastic bags and separate them into their groups.

\*Keep children and animals from the work area, small parts could choke if swallowed.

\*Make sure you have enough space to lay out the parts before starting.

\*Assemble the items as close to its final position (in the same room) as possible.

\*Assemble on the soft level surface to avoid damaging the unit or your floor.

\*This furniture meets the european standard certification BS 4875-7:2006, FRQG C001:2008 & FRQG C004:2008



We do not recommend the use of power drills/drivers for inserting screws, as this could damage the unit. Only use hand screwdrivers.

\*Dispose of all packaging carefully and responsibly.

\*Assembly should be carried out by competent adult only.

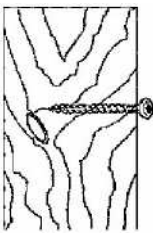
### Care and maintenance:

\* Only clean using a damp cloth and mild detergent, do not use bleach or abrasive cleaners.

\*Regularly check all fastenings to ensure that they properly tightened.

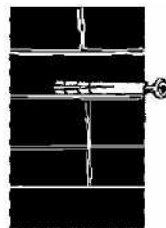
\*Our furniture will endure most temperatures in the home but it is best to avoid placing furniture next to the heat sources such as radiators or fires. Be particularly careful with solid wood as the lack of humidity caused by central heating can cause damage such as warping.

#### Wall Fixing (if required)



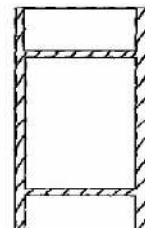
Wood

If fixing to wood make sure that it isn't chipboard as screws can easily pull away.



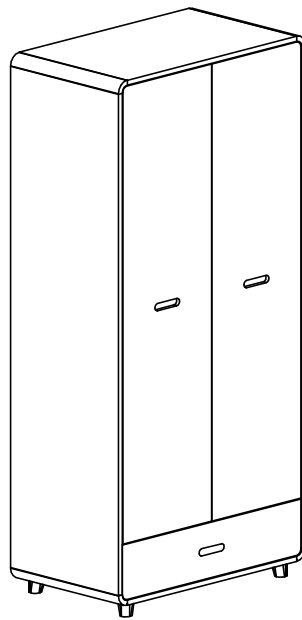
Brick or Masonary

Use an appropriate wall plug provided you are sure your wall is sound.



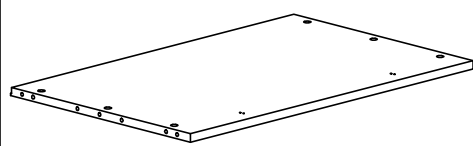
Cavity wall

Special toggle wall plugs are needed. Seek expert advice.

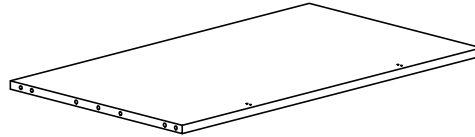


## Components - Panels

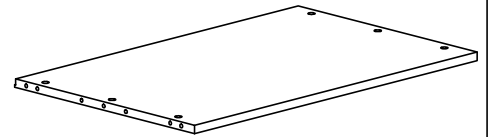
Please check that you have the panels listed below



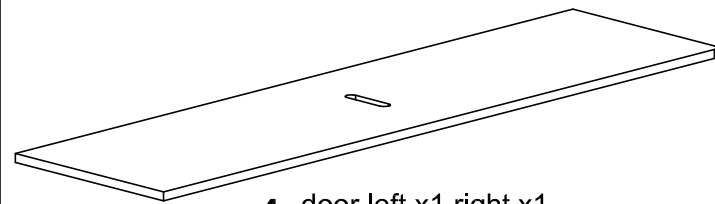
**1** top x1  
816x520x18 mm



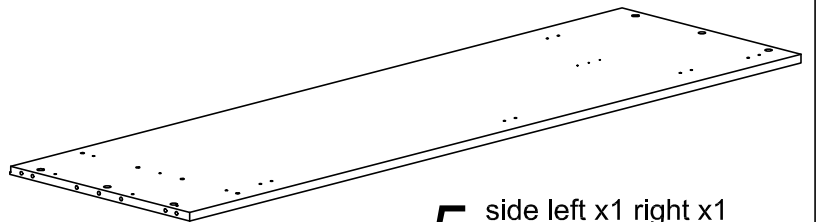
**2** bottom x1  
816x520x18 mm



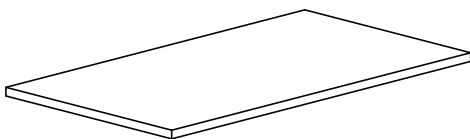
**3** fixed shelf x1  
864x497x18 mm



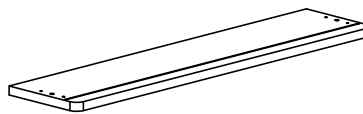
**4** door left x1 right x1  
1611x428x19 mm



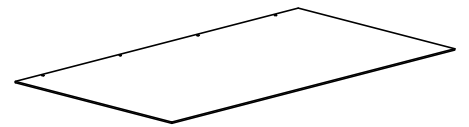
**5** side left x1 right x1  
1766x520x18 mm



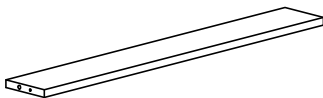
**6** shelf x1  
862x480x18 mm



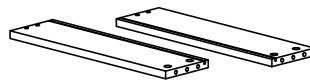
**7** drawer front x1  
859x195x19 mm



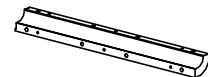
**8** bottom drawer x1  
818x453x3 mm



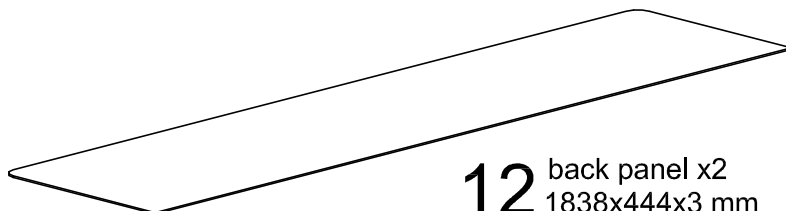
**9** back drawer x1  
807x111x16 mm



**10** side drawer left x1 right x1  
450x123x16 mm



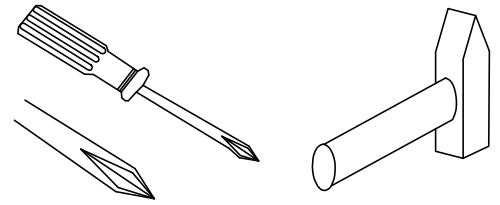
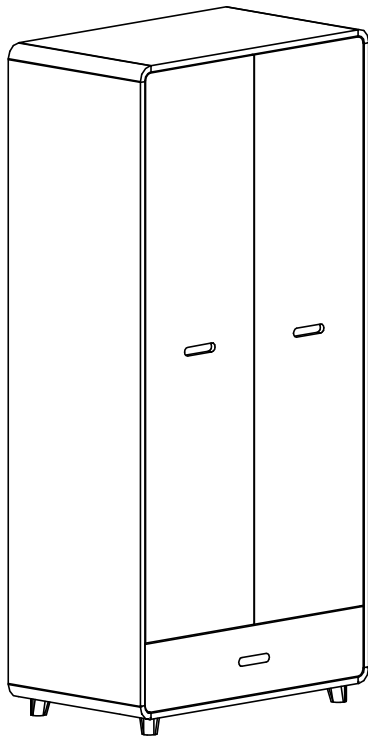
**11** strip corner x4  
520x42x42 mm



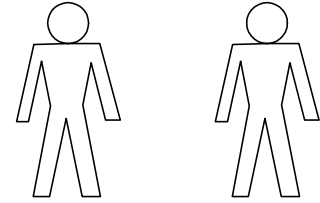
**12** back panel x2  
1838x444x3 mm



**13** Leg x4  
50x55x50 mm






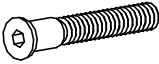

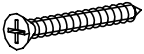

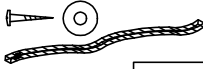
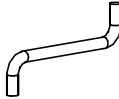



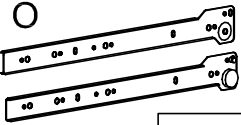
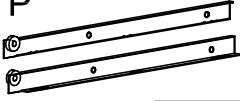



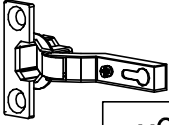
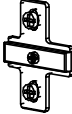



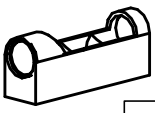



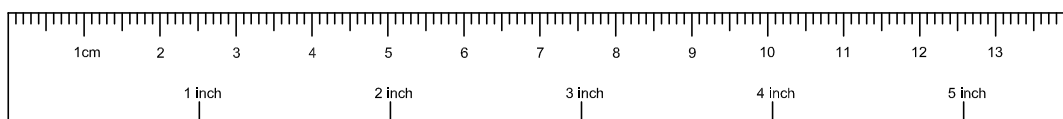
Tools that are needed



## Components - Fittings

Please check that you have the fittings listed below

<b>A</b>  Ø7x36 x34	<b>B</b>  Ø15x12 x4	<b>C</b>  Ø15x14 x30	<b>D</b>  x16	<b>E</b>  Ø8x30 x44	<b>F</b>  Ø7x50 x2
<b>G</b>  Ø3x15 x12	<b>H</b>  Ø4x45 x8	<b>I</b>  x75	<b>J</b>  x1	<b>K</b>  "4" x1	<b>L</b>  Ø3,5x16 x4
<b>M</b>  Eur 5,8x9 x6	<b>N</b>  L-1810 x1	<b>O</b>  x1	<b>P</b>  x1	<b>Q</b>  x2	<b>R</b>  L-855 x1
<b>S</b>  Ø3x12 x6	<b>T</b>  x6	<b>U</b>  x6	<b>V</b>  Ø3,5x15 x12	<b>W</b>  x4	<b>X</b>  Ø5x8 x4
<b>Y</b>  x4	<b>Z</b>  x4				



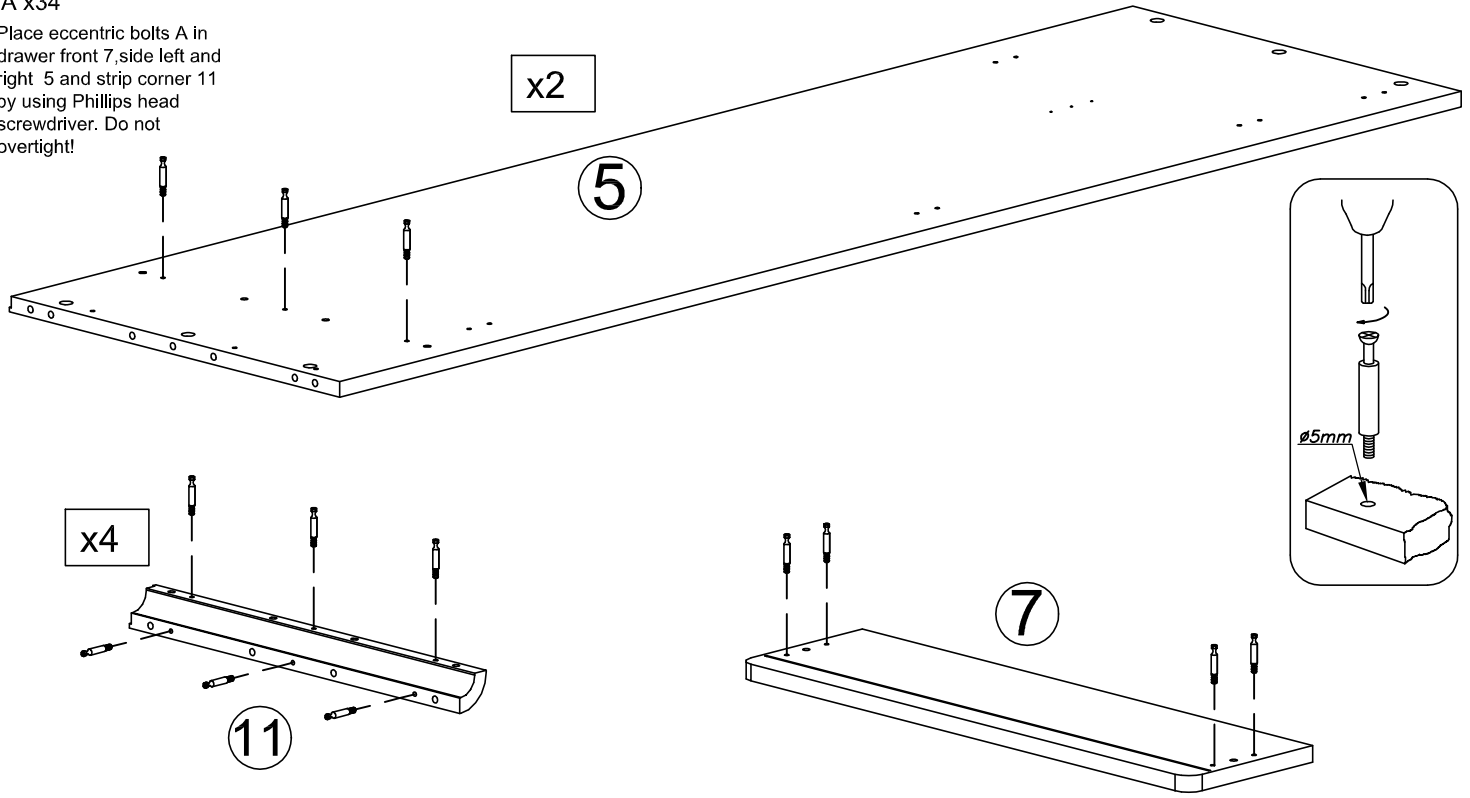
Rulers- Use this ruler to help correctly identify the screws

# Step 1

In this step use these fittings:

A x34

Place eccentric bolts A in drawer front 7, side left and right 5 and strip corner 11 by using Phillips head screwdriver. Do not overtight!

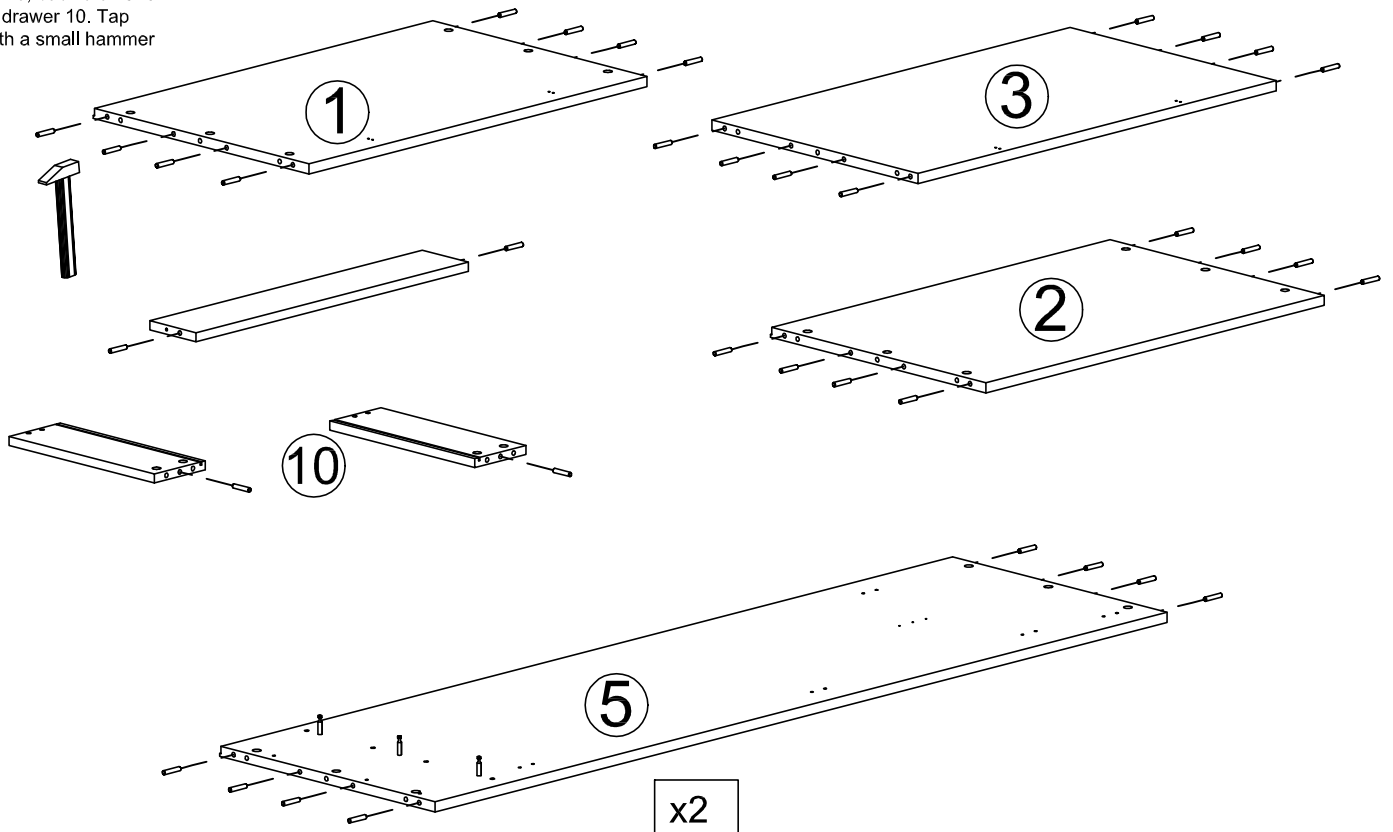
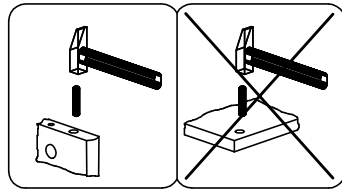


# Step 2

In this step use these fittings:

E x44

Insert dowels E in sides left and right 5, top 1, bottom 2, fixed shelf 3, back drawer 9 and side drawer 10. Tap gently with a small hammer

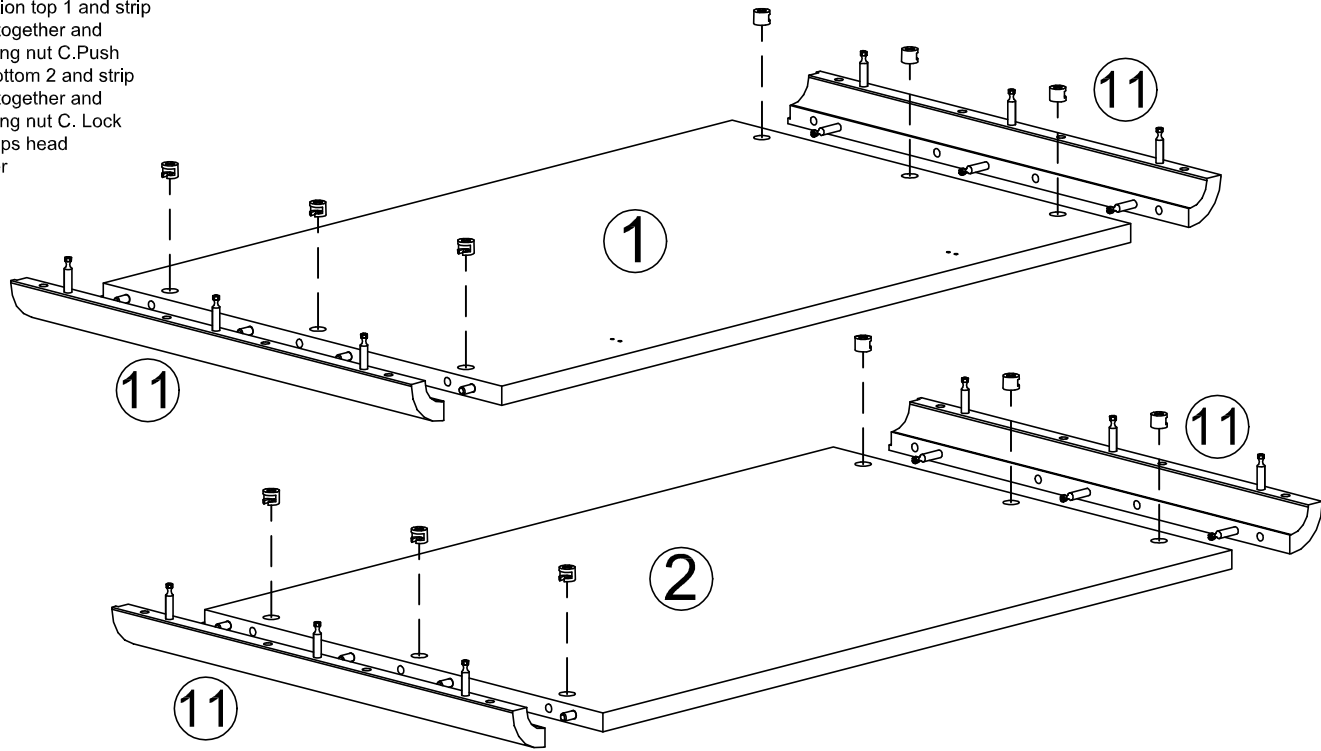


# Step 3

In this step use these fittings:

C x12

Push partition top 1 and strip corner 11 together and insert locking nut C. Push partition bottom 2 and strip corner 11 together and insert locking nut C. Lock using Phillips head screwdriver



# Step 4

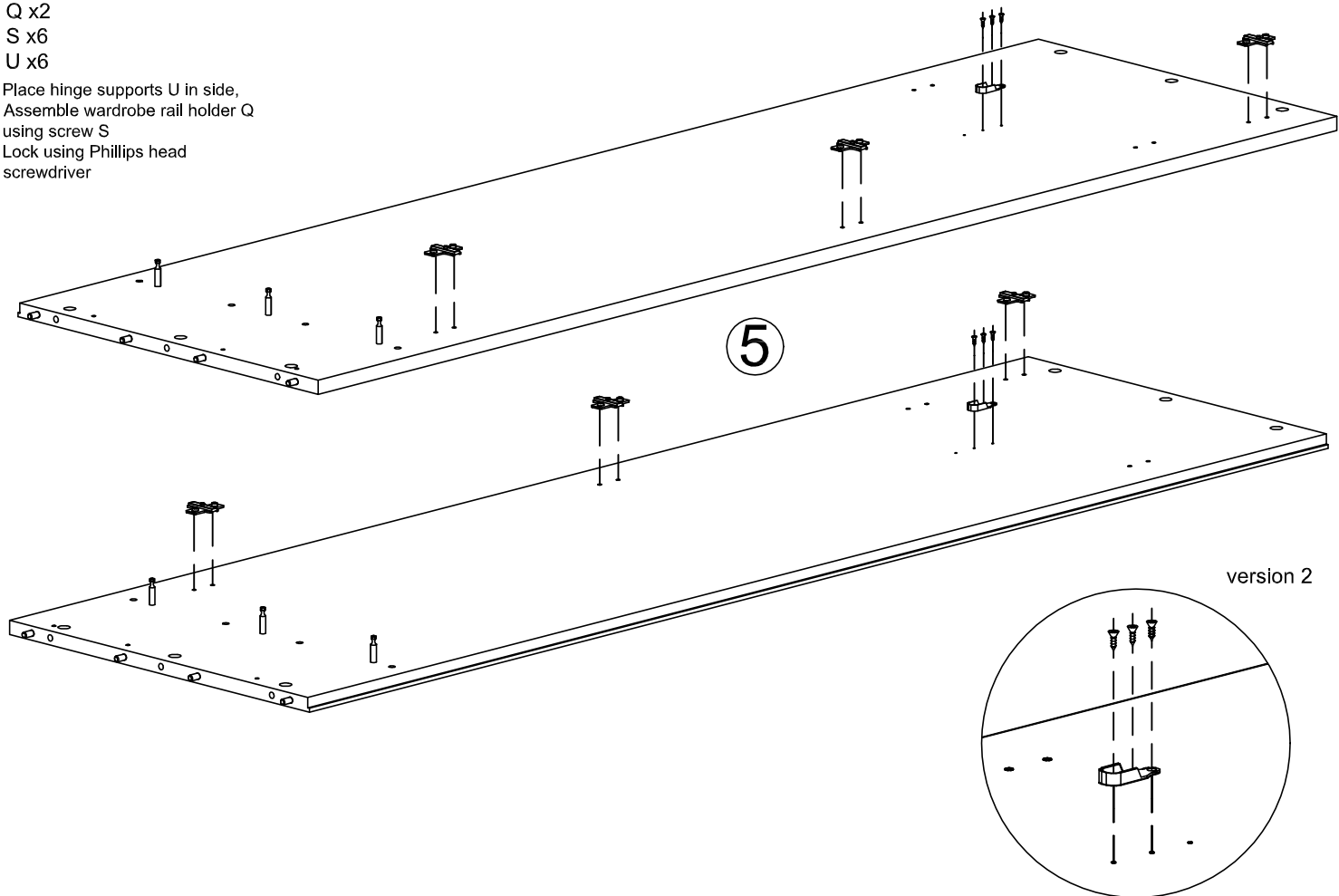
In this step use these fittings:

Q x2

S x6

U x6

Place hinge supports U in side, Assemble wardrobe rail holder Q using screw S Lock using Phillips head screwdriver

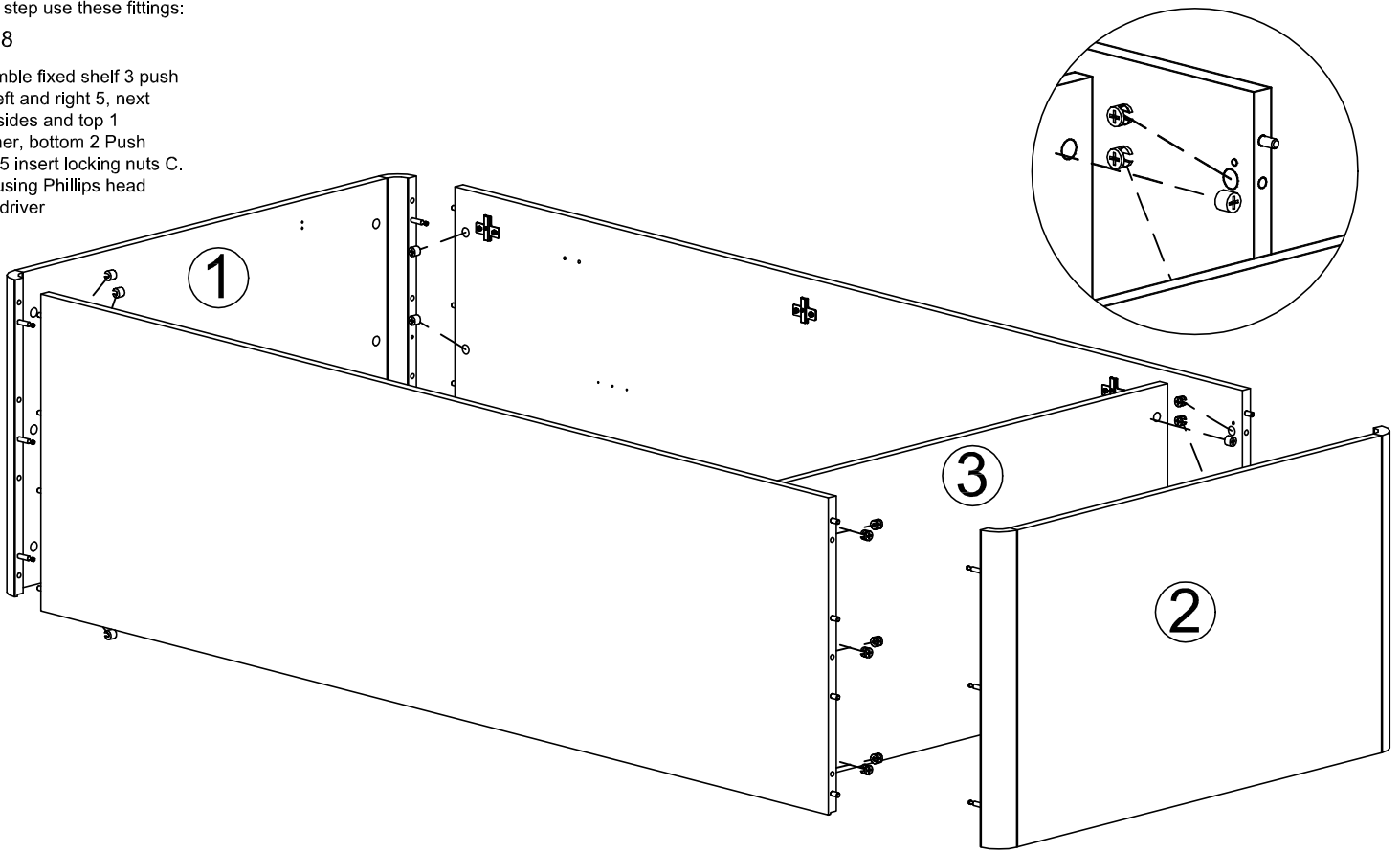


## Step 5

In this step use these fittings:

C x18

Assemble fixed shelf 3 push side left and right 5, next push sides and top 1 together, bottom 2 Push sides 5 insert locking nuts C. Lock using Phillips head screwdriver



## Step 6

In this step use these fittings:

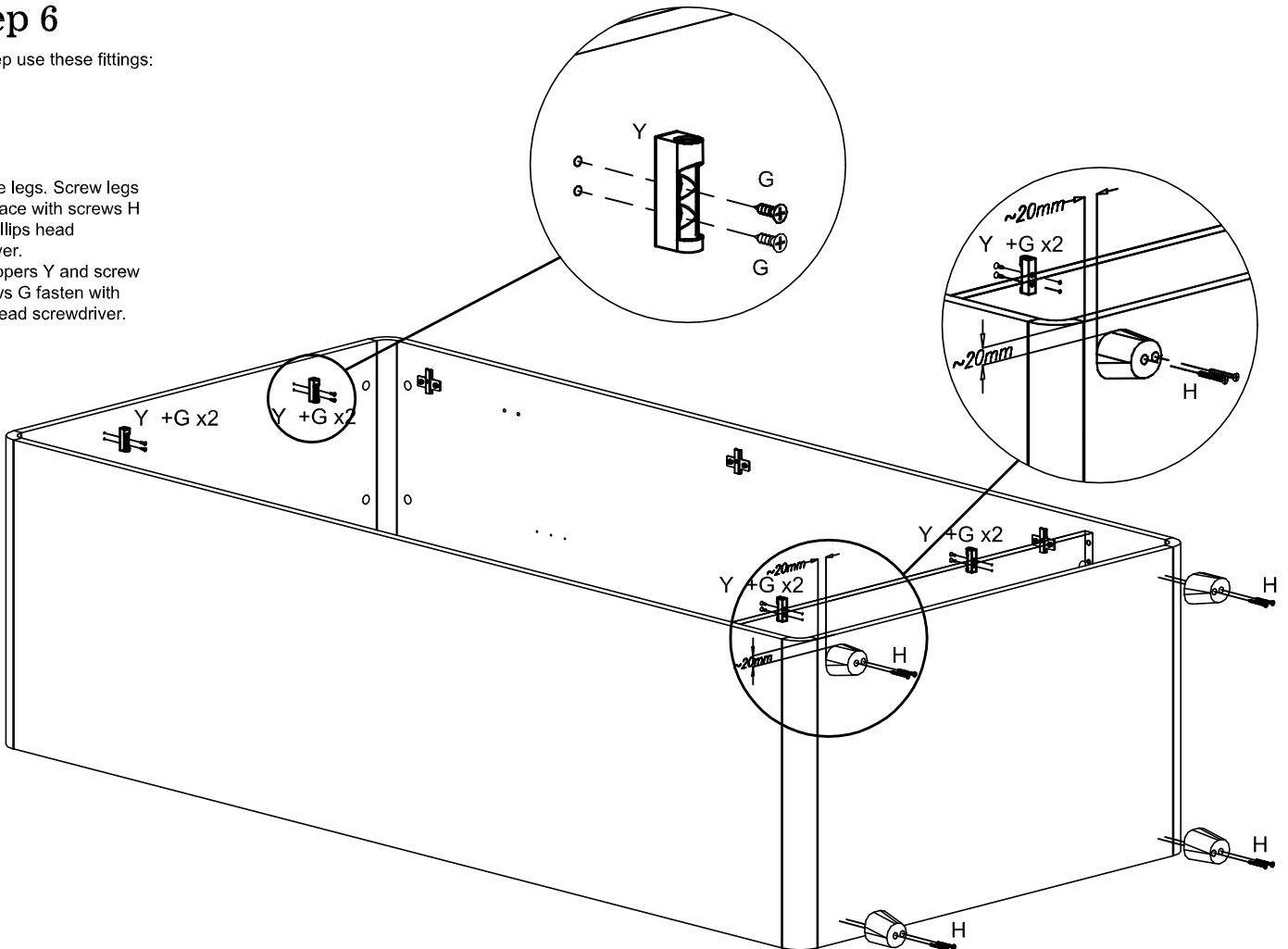
H x8

G x8

Y x4

Assemble legs. Screw legs 13 into place with screws H using Phillips head screwdriver.

Door stoppers Y and screw the screws G fasten with Phillips head screwdriver.



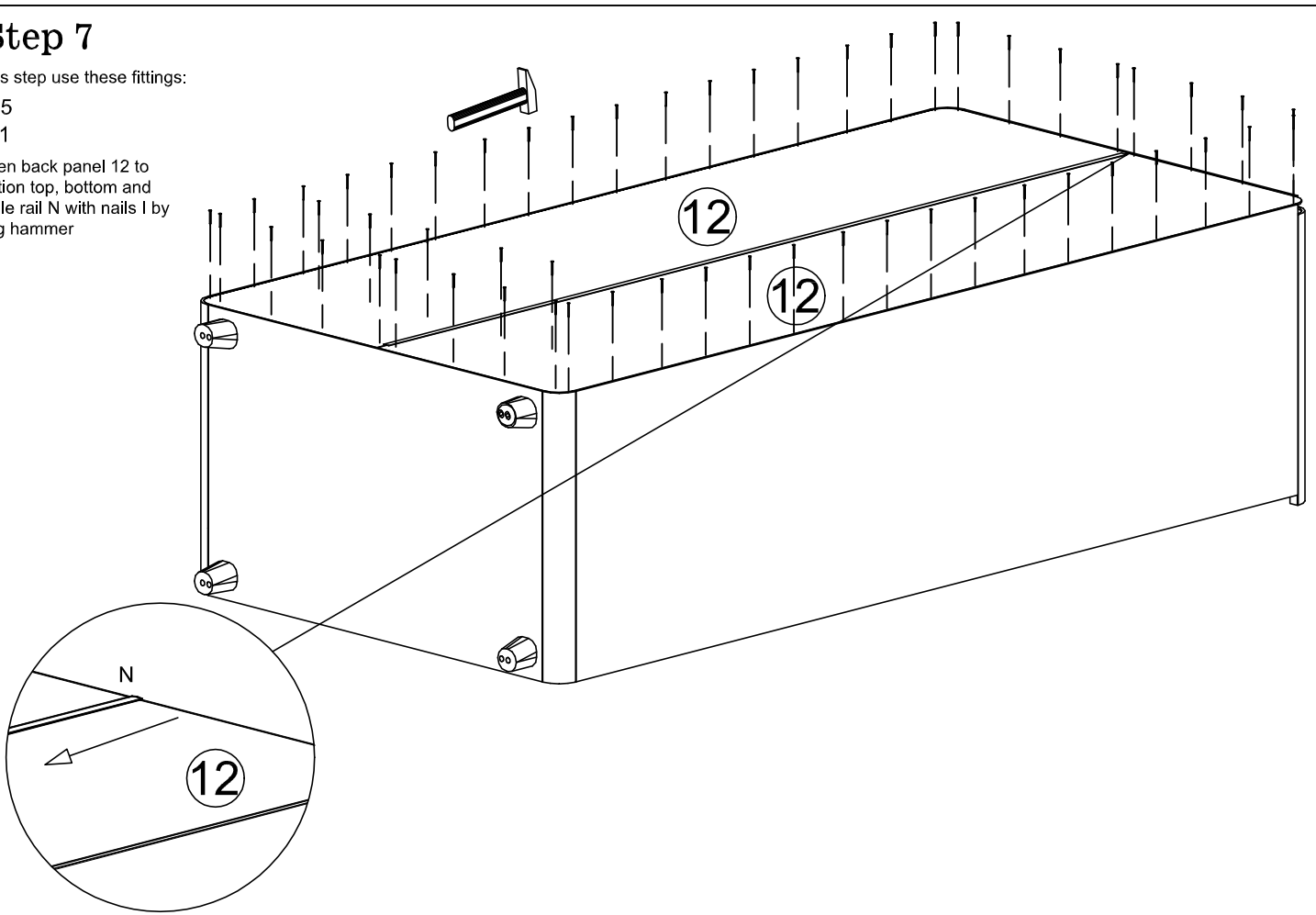
## Step 7

In this step use these fittings:

I x75

N x1

Fasten back panel 12 to partition top, bottom and middle rail N with nails I by using hammer



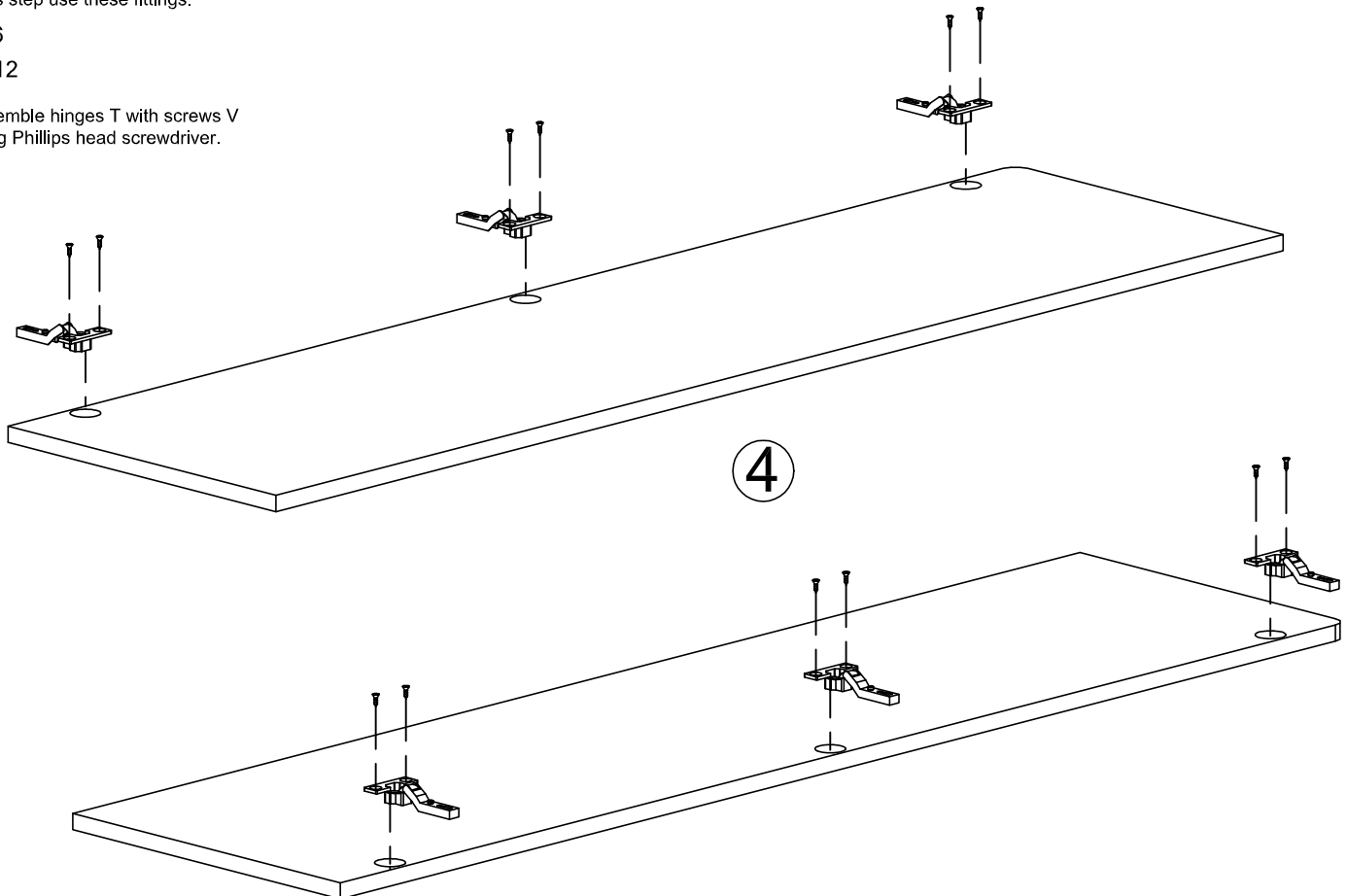
## Step 8

In this step use these fittings:

T x6

V x12

Assemble hinges T with screws V using Phillips head screwdriver.





## Step 9

In this step use these fittings:

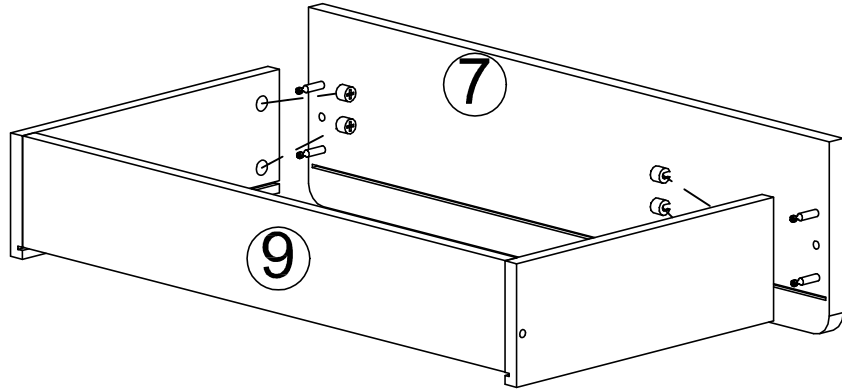
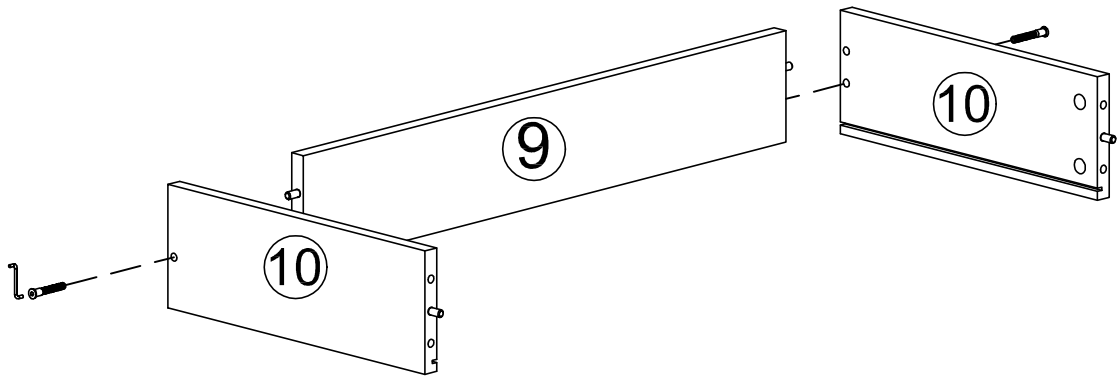
F x2

Push side drawer 11,12 and back drawer 10. Screw side drawer into place with screws F using Allen key K.

B x4

D x4

Assemble drawer front 7  
Push drawer sides 10 insert locking nuts B.  
Lock using Phillips head screwdriver. Cover the nuts B using the cover cap D.



## Step 10

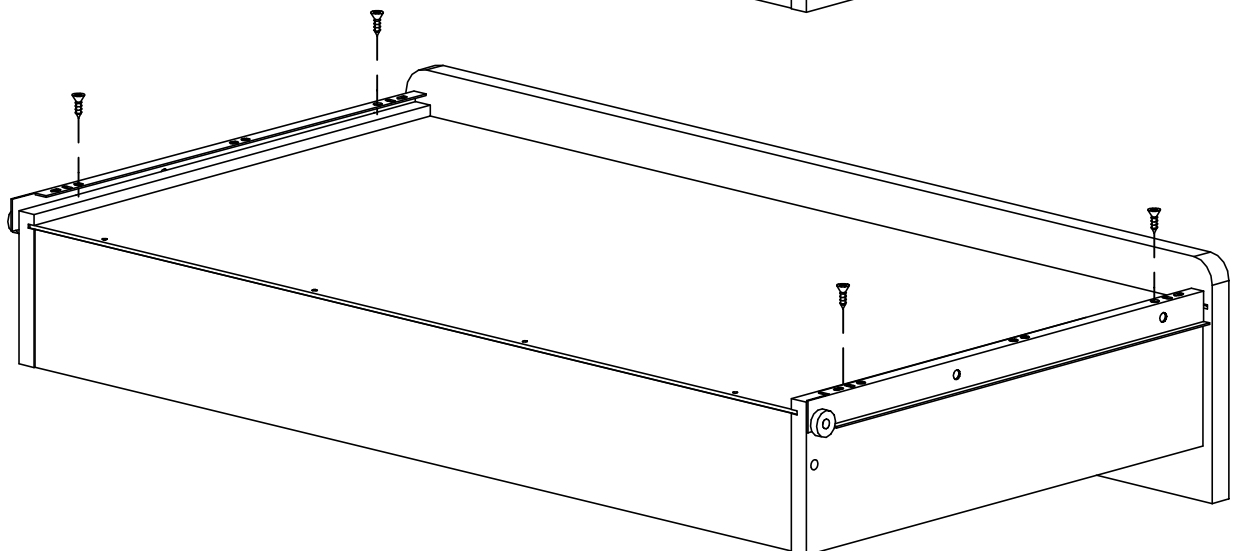
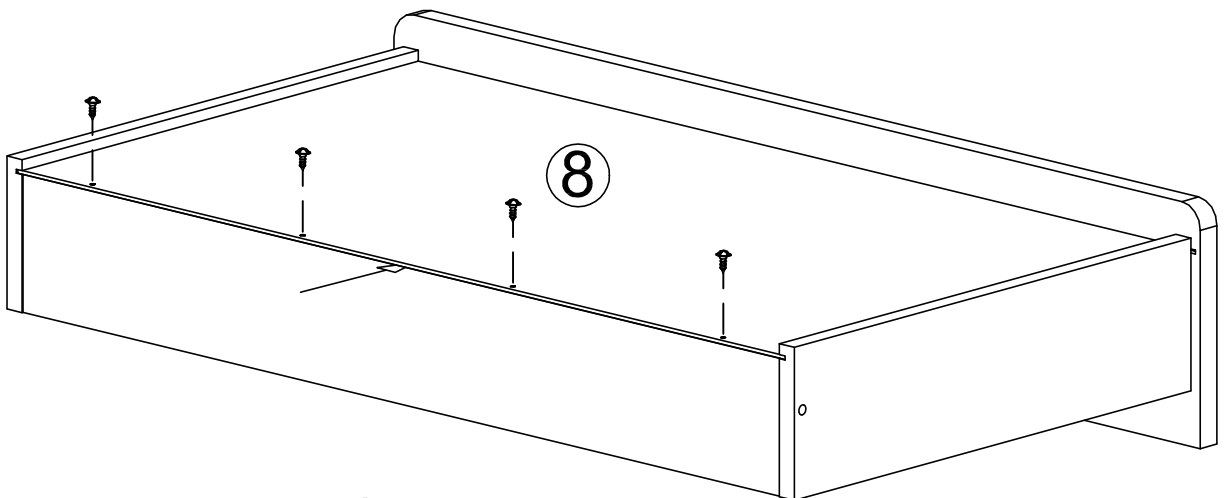
In this step use these fittings:

L x4

G x4

P x1

Fasten drawer bottom by fixing in with fittings L, using Phillips head screwdriver.  
Assembly drawer runners P with screws G using Phillips head screwdriver.



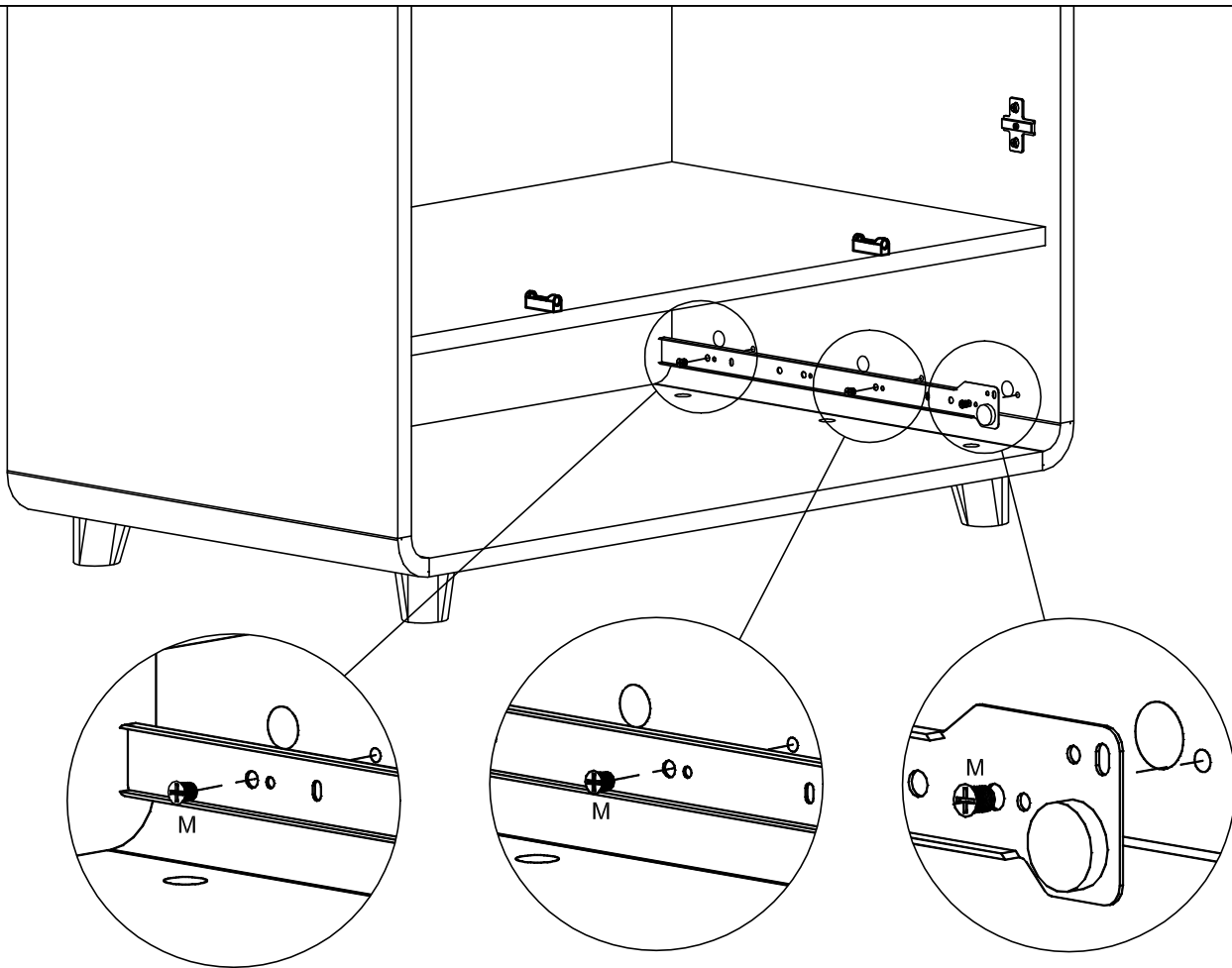
## Step 11

In this step use these fittings:

M x6

O x1

Assembly drawer runners O  
with screws M using Phillips  
head screwdriver.  
Left slide mirror assembly.



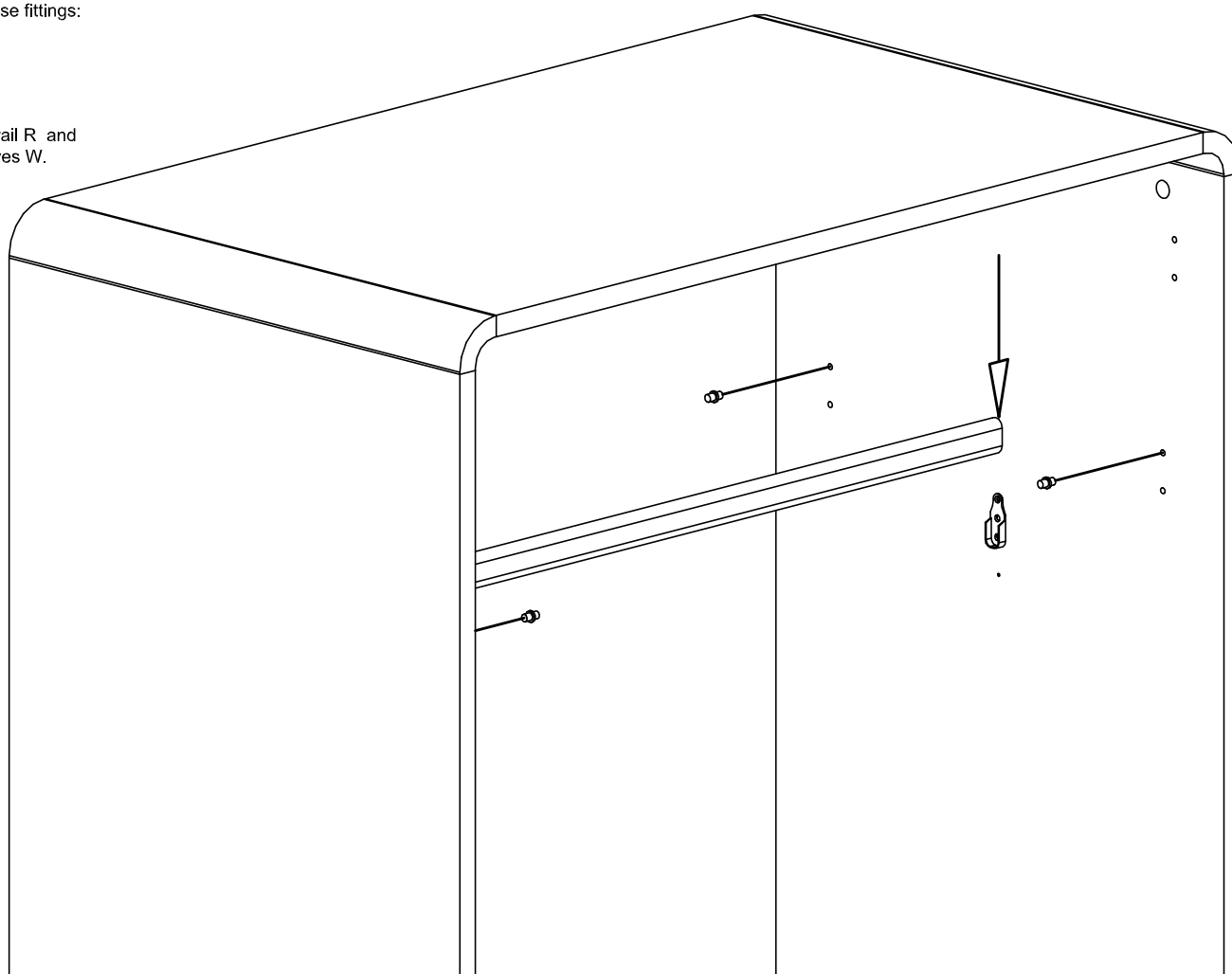
## Step 12

In this step use these fittings:

R x1

W x4

Assembly hanging rail R and  
push support shelves W.



## Step 13

In this step use these fittings:

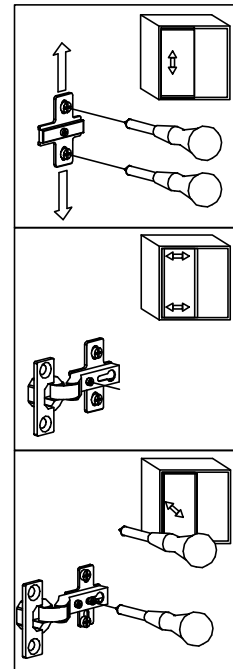
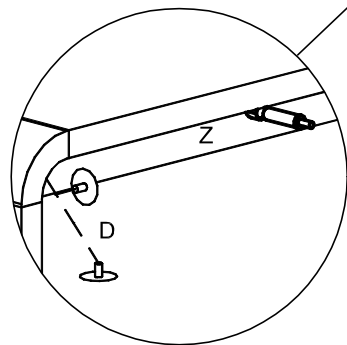
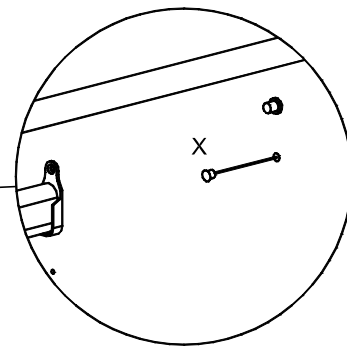
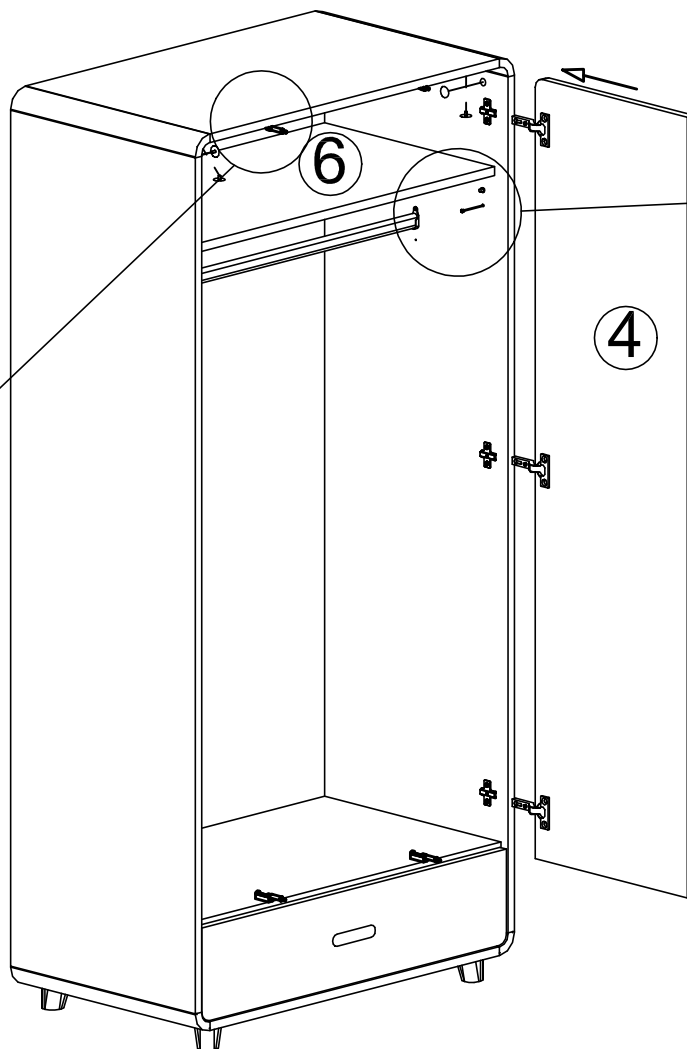
D x12

X x4

Z x4

Assemble and adjust doors left and right 4 using Phillips head screwdriver. And insert the adapter soft-close Z. Cover cap X unused holes under the shelf, and cover cap D nuts C (top and top sides)

Put drawer and shelf to their place.

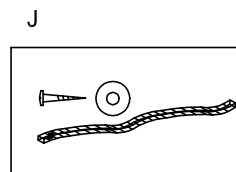
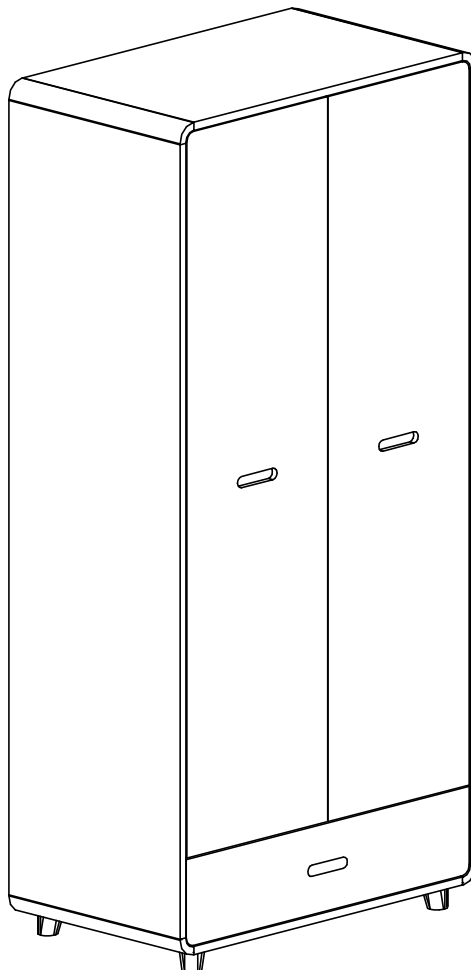


## Step 14

In this step use these fittings:

J x1

Attaching wardrobe to wall. It is very important for your children's safety that you follow the instruction within the bag with safety strap.



# Customer Notice

Dear Customer,

Congratulations on the recent purchase of your furniture!

## Customer Service:

For missing or spare parts requests please contact us Monday to Friday – 10am to 3pm in one of the following ways:

Phone:

Email:

Please inform: product, colour, where did you buy it, part no, quantity and reason for request. We need your full name, address and telephone number.

Fax: Please complete the enclosed Service Form and fax

By post: Please complete the enclosed Service Form and post to:

We will do our utmost to supply spare parts within 7-10 working days of receipt of request.

Our quality control team has ensured a high quality product that we are sure you will be pleased with. Any components produced from solid wood will contain knots and may have surface defects which are a feature of a natural product.

# Customer Service Form

Please return complete to

Name: \_\_\_\_\_

Address: \_\_\_\_\_  
\_\_\_\_\_  
\_\_\_\_\_  
\_\_\_\_\_

Contact No: \_\_\_\_\_

Date of purchase: \_\_\_\_\_

Place of purchase: \_\_\_\_\_

Product Name: \_\_\_\_\_

See assembly instructions:

Problem: \_\_\_\_\_  
\_\_\_\_\_  
\_\_\_\_\_  
\_\_\_\_\_

Parts Needed:	<u>Part No.</u>	<u>Quantity</u>	<u>Description</u>
Please quote assembly instruction or number	_____	_____	e.g drawer base
	_____	_____	_____
	_____	_____	_____
	_____	_____	_____
	_____	_____	_____