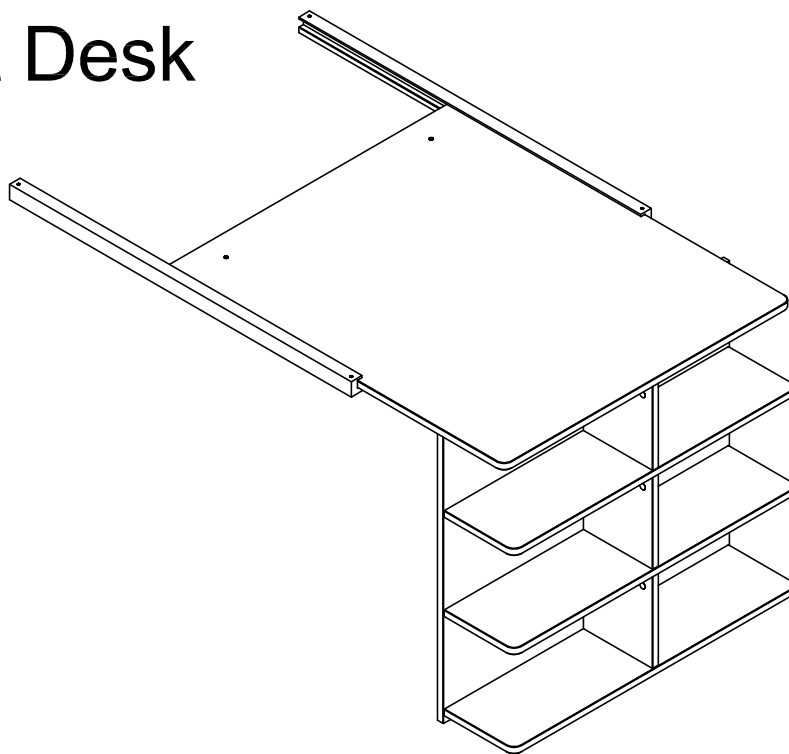
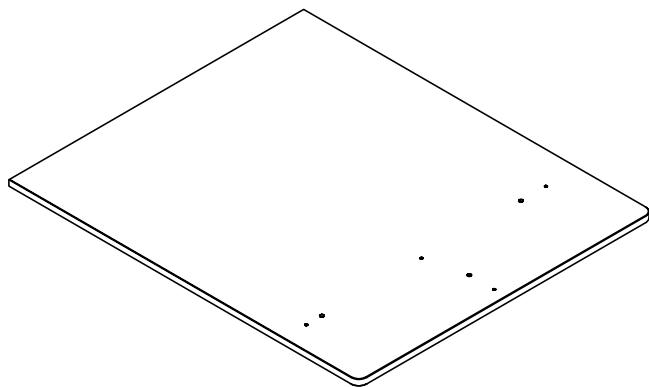


## Pull Out Desk

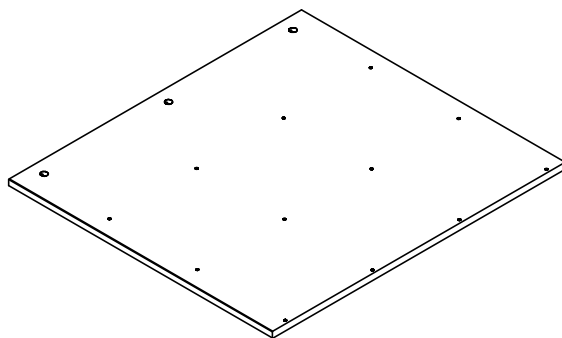


Dimensions
Width- 75 cm
Depth- 90 cm
Height- 72,2 cm

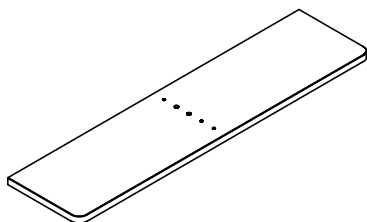
## Components



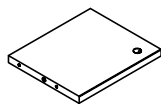
**1** Top x1  
(90x75x1,6 cm)



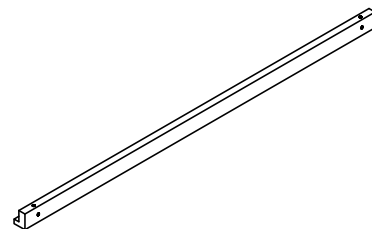
**2** Back panel x1  
(67,8x74,6x1,6 cm)



**3** Base/ Shelf x3  
(74,2x18,4x1,6 cm)



**4** Partition panel x3  
(21x18,2x1,6 cm)



**5** Support rail x2  
(90x3,5x2,8 cm)



# Safe and Care Advice

## Important - Please read these instructions fully before starting assembly

- Check you have all the components and tools listed

- Remove all fittings from the plastic bags and separate them into their groups.

- Keep children and animals away from the work area, small parts could choke if swallowed.

- Make sure you have enough space to lay out the parts before starting.

- Do not stand or put weight on the product, this could cause damage.

- Assemble the item as close to its final position (in the same room) as possible.

- Assemble on a soft level surface to avoid damaging the unit or your floor.

- Parts of the assembly will be easier with 2 people.



- We do not recommend the use of power drills/drivers **for inserting screws**,

as this could damage the unit. Only use hand screwdrivers.

- Dispose all packaging carefully and responsibly.

## Glue safety - Take care when using glue, please follow the advice below

**Skin contact:** Remove contamination by washing with soap and water. This procedure should also be followed prior to eating and drinking.

**Eye contact:** Rinse immediately with clean water for 15 minutes and seek medical advice.

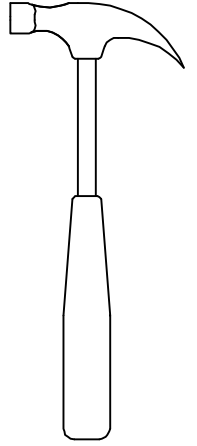
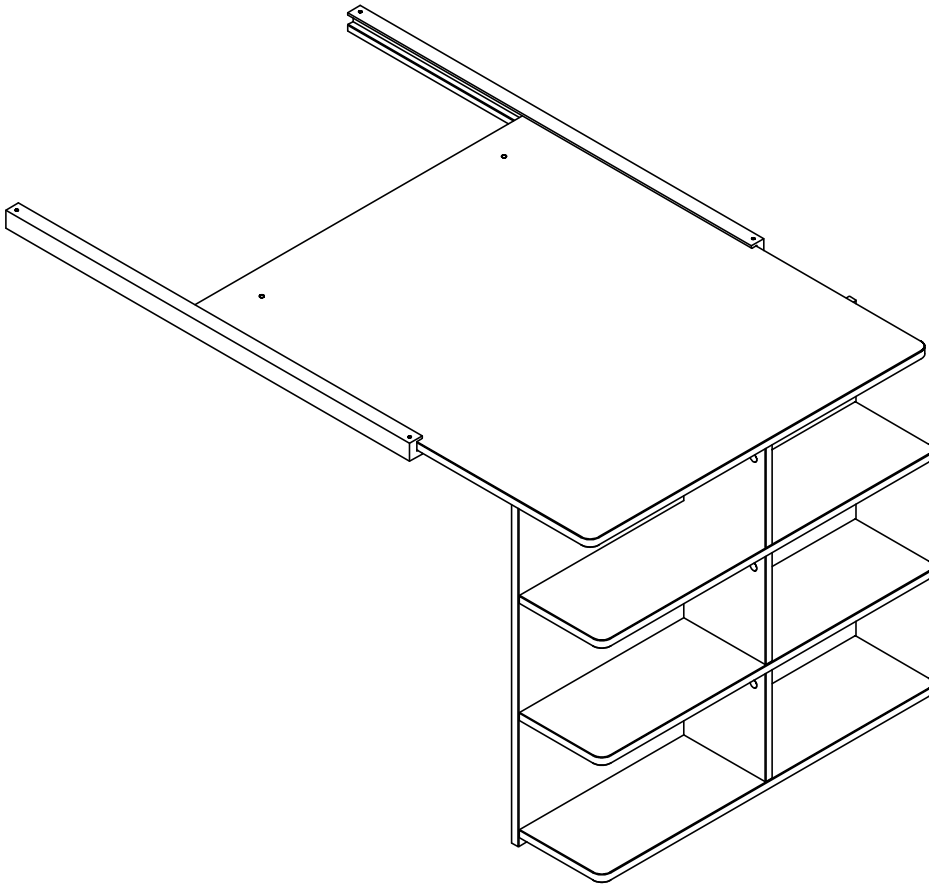
**If swallowed:** Seek medical advice immediately.

## Care and maintenance

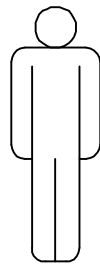
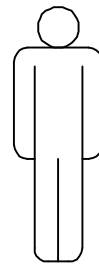
- Only clean using a damp cloth and mild detergent, do not use bleach or abrasive cleaners.


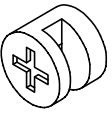
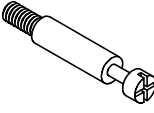
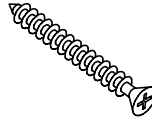
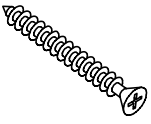
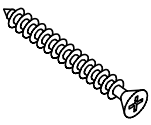

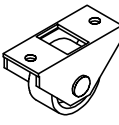
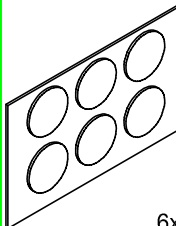
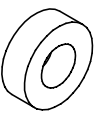
- From time to time check that there are no loose screws on this unit.

- This product should not be discarded with household waste. Take to your local authority waste disposal centre.

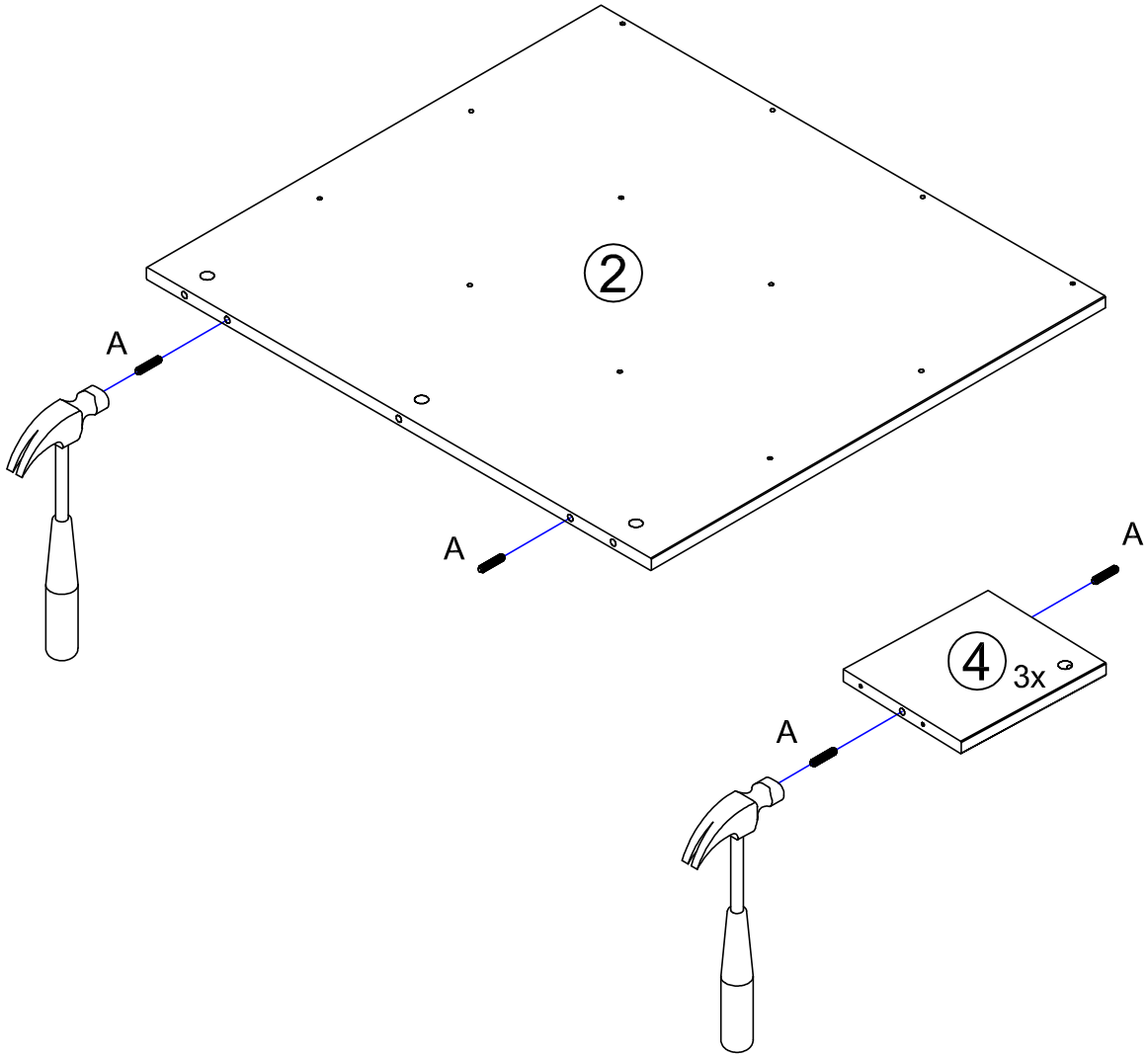
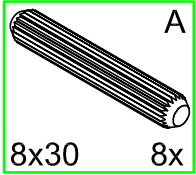


Tools that are needed

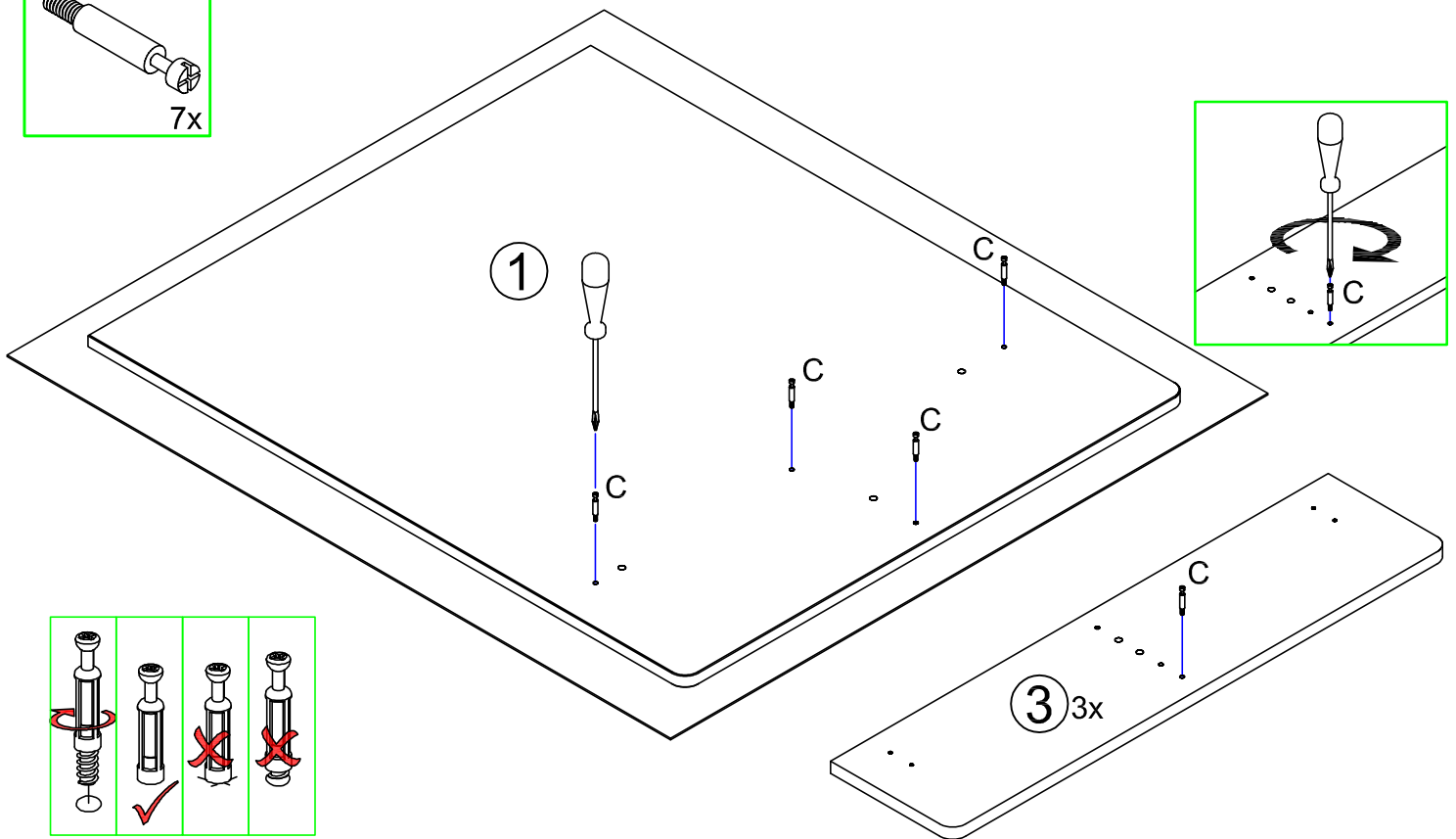
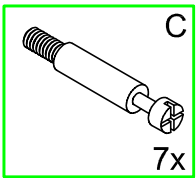


 8x30 10x	 15x12 6x	 6,5x44 6x	 4,5x55 18x	 4,5x40 2x
 5x55 4x	 3,5x15 4x	 2x	 6x	 2x

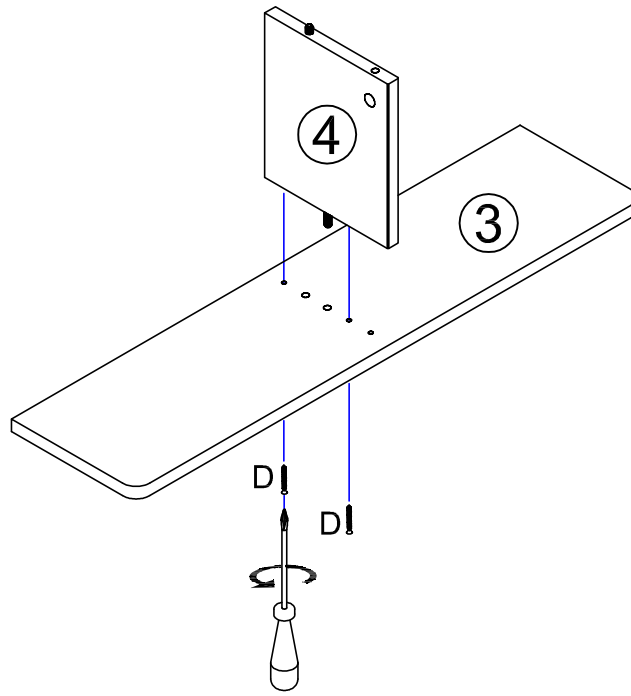
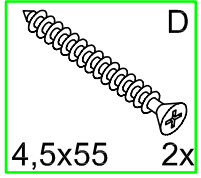
1.



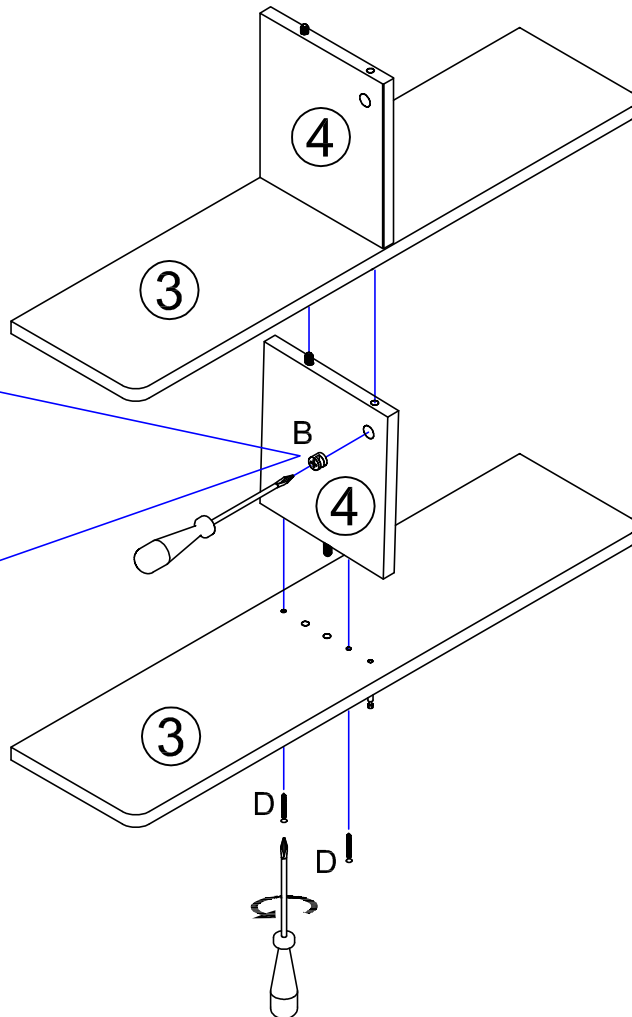
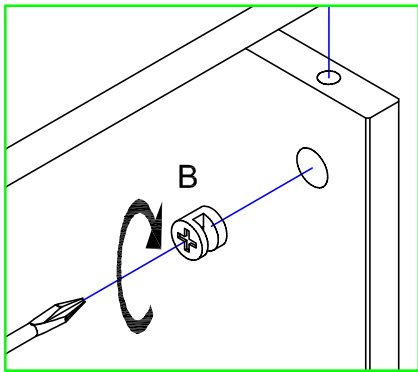
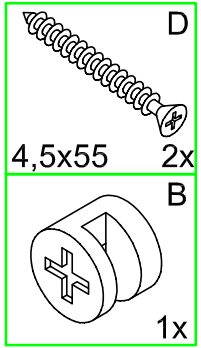
2.



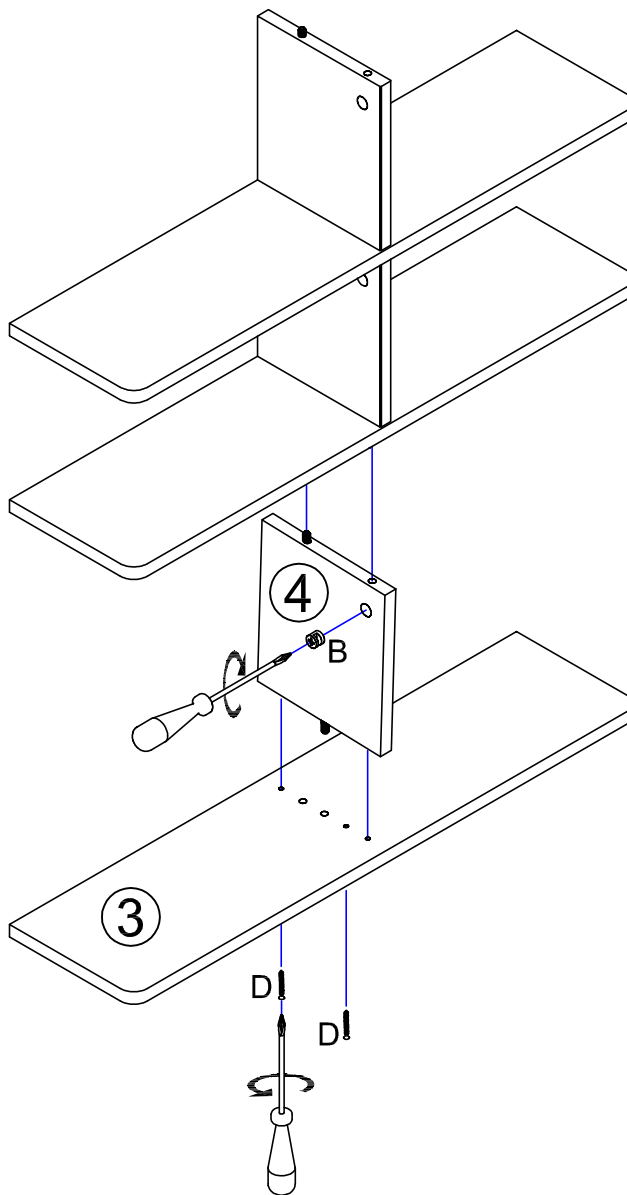
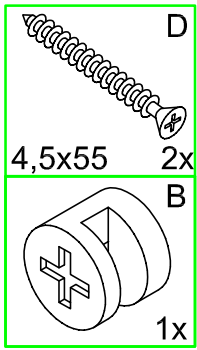
3.



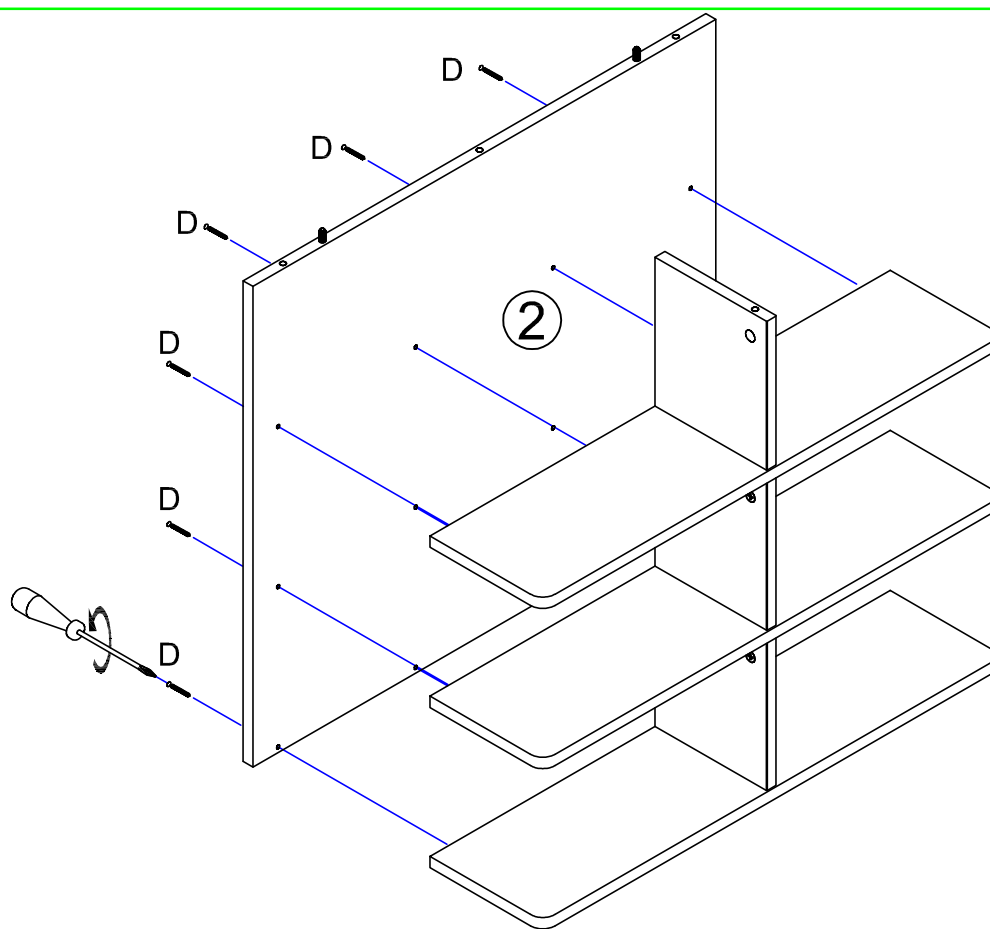
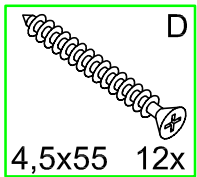
4.



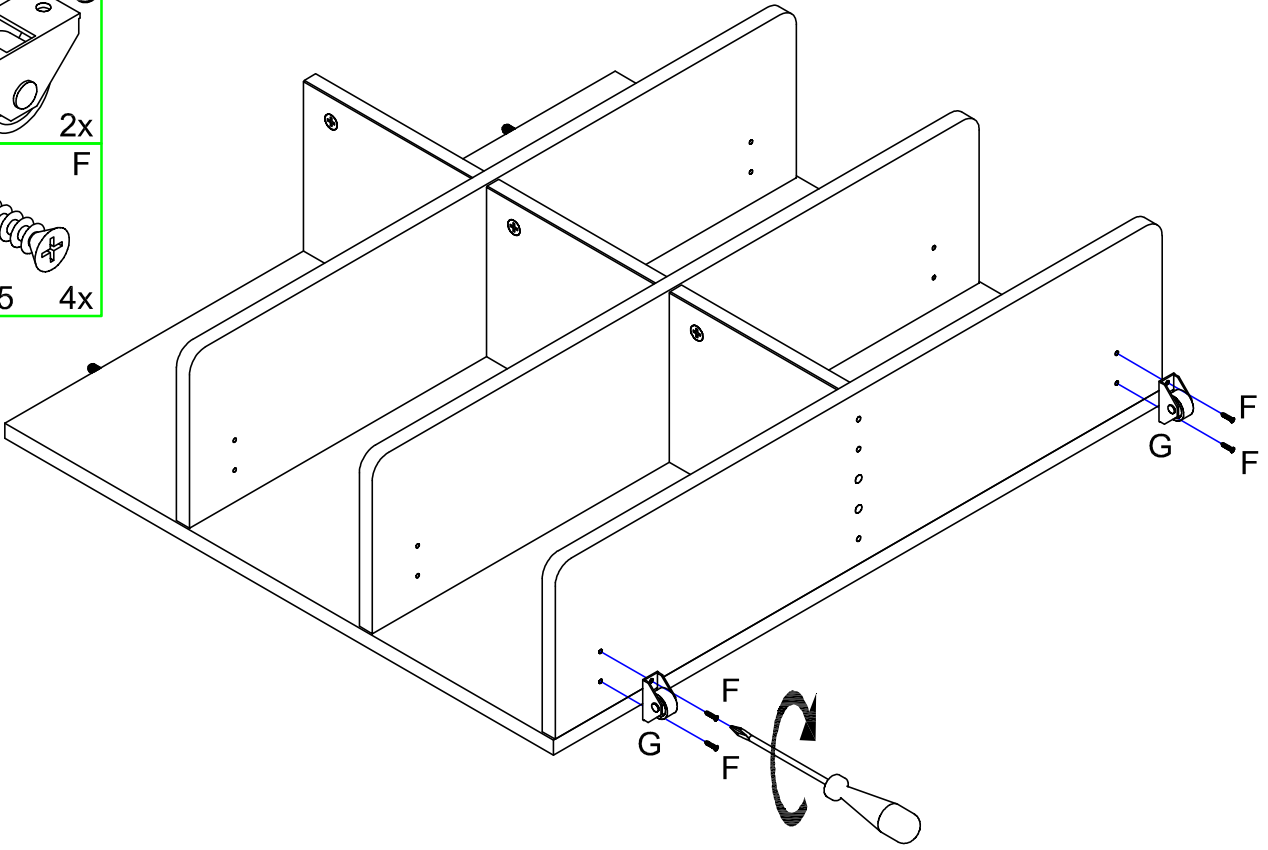
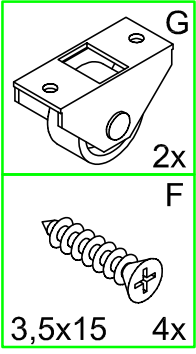
5.



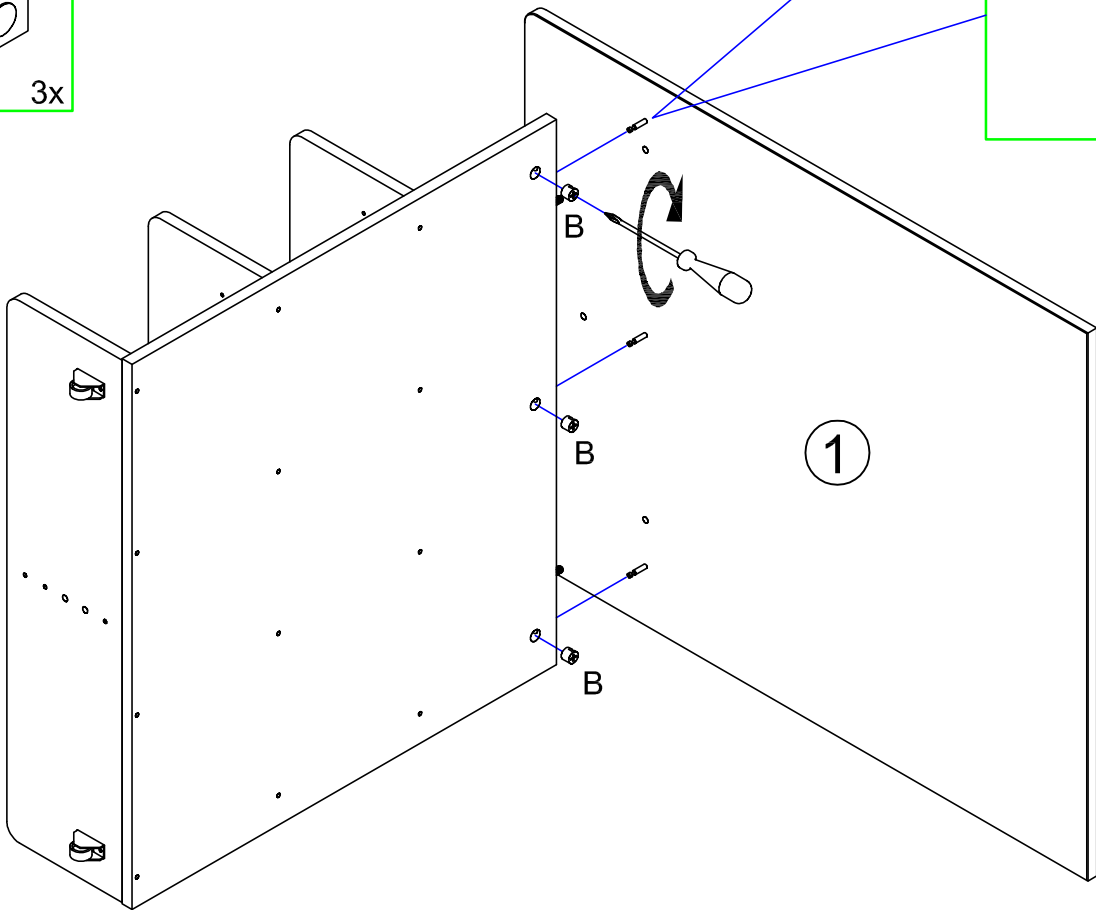
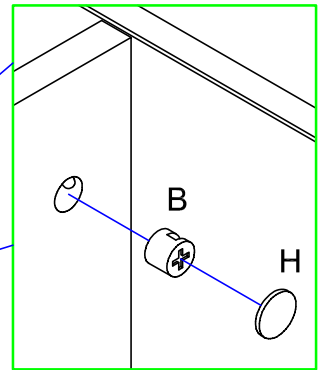
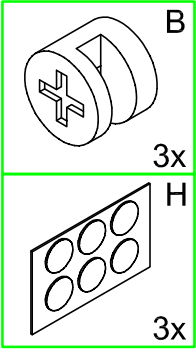
6.



7.

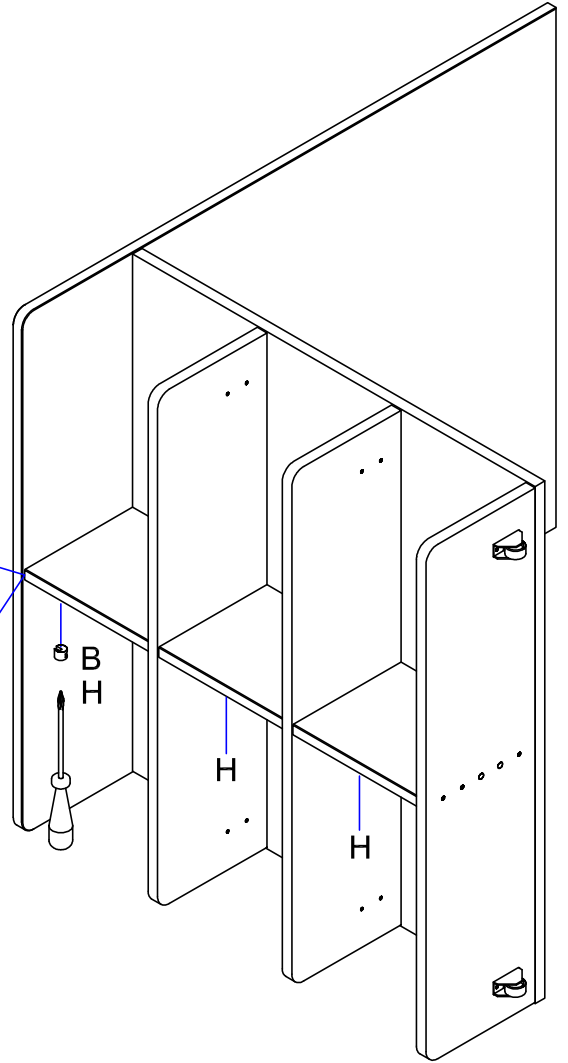
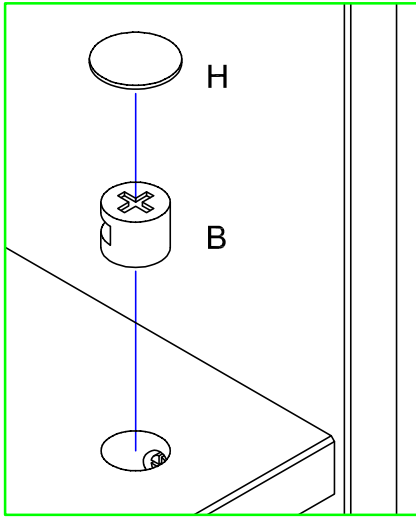
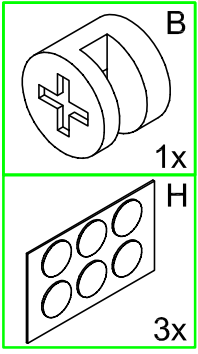


8.

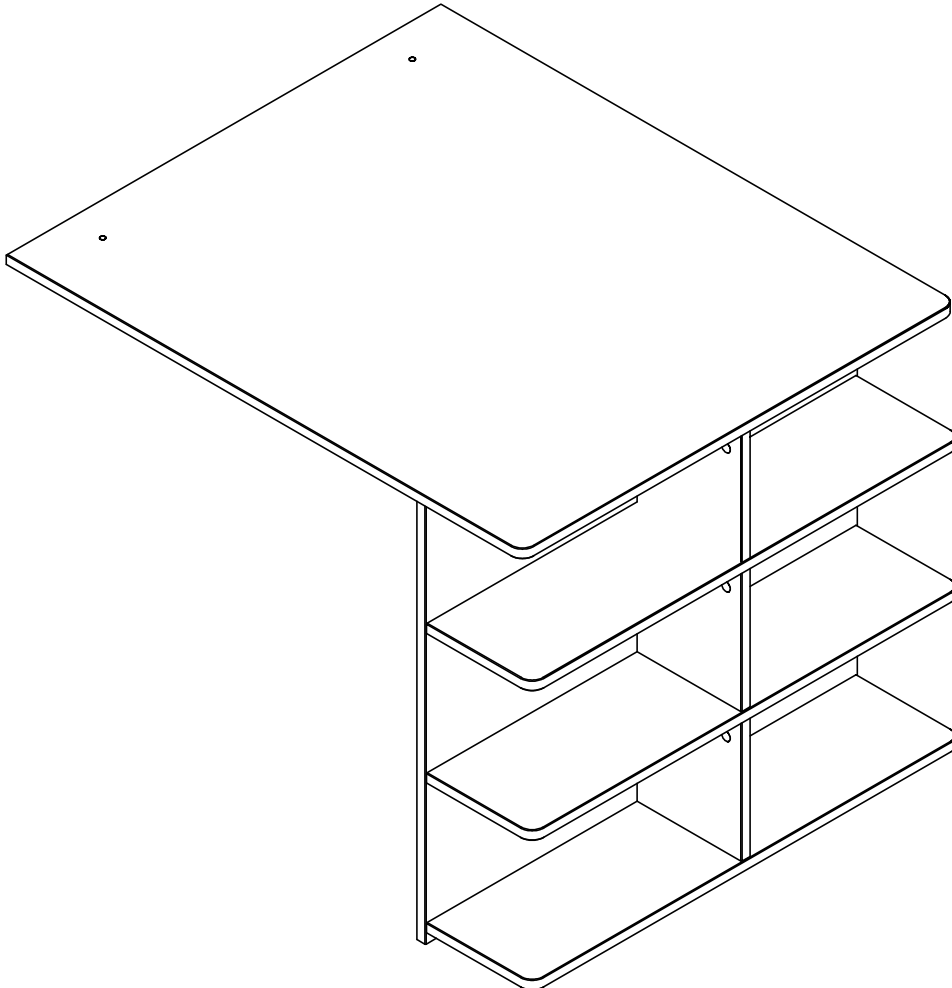


9.

7/9

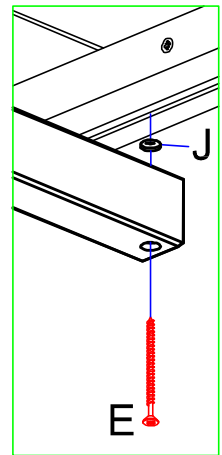
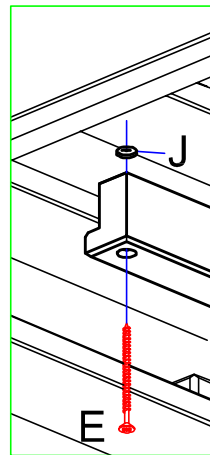
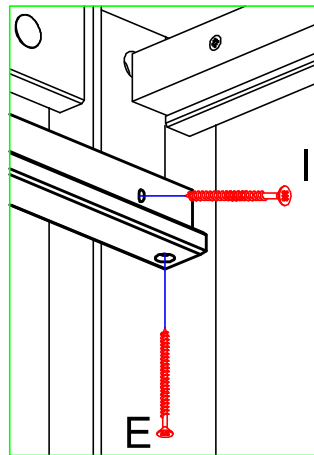
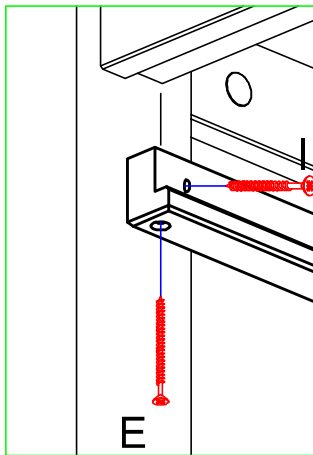
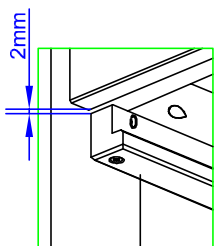
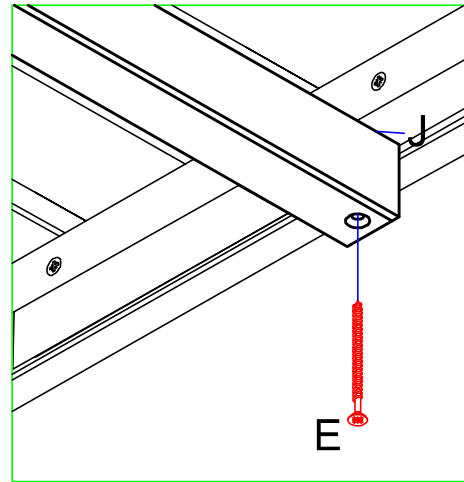
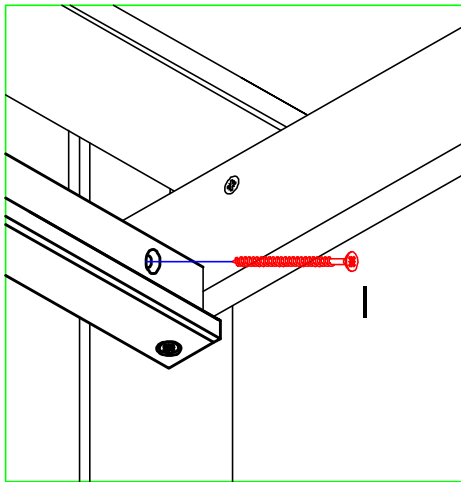
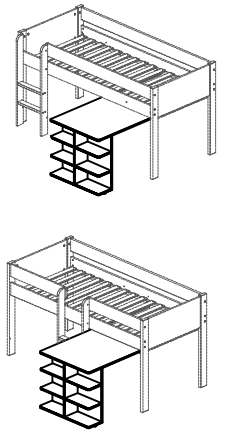
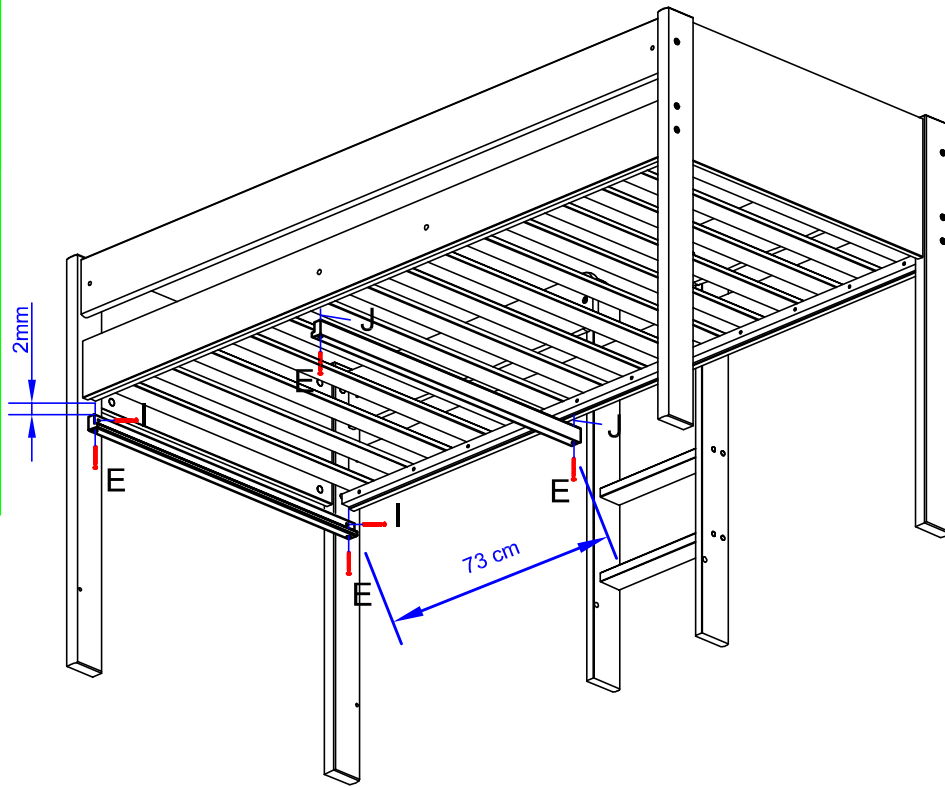
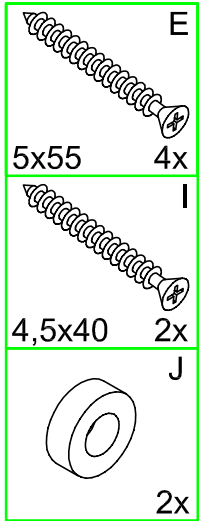


10.



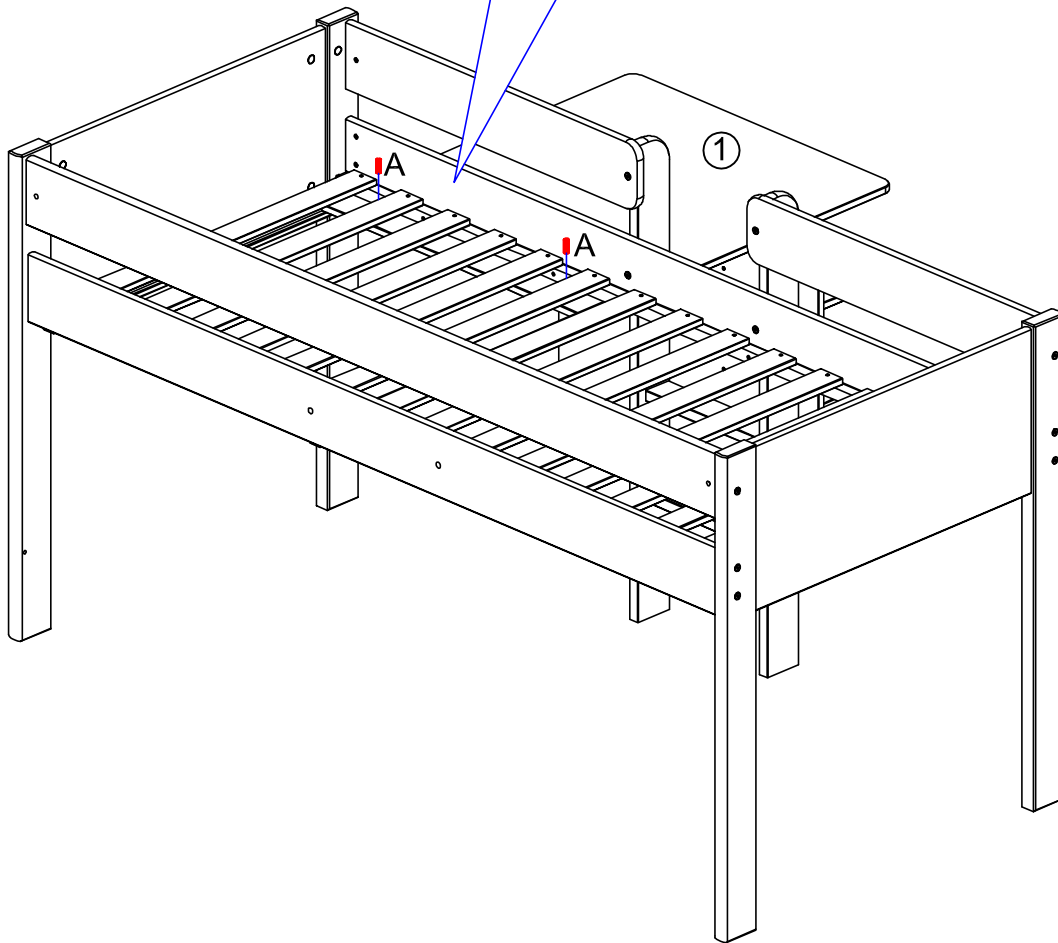
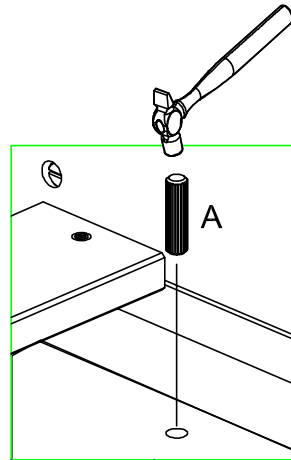
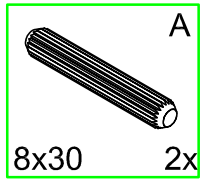


Attach Pull Out Desk to your bed.  
Decide which side you want to position the desk



## Attach stop dowels

It is very important for your children's safety that you mount the two dowels in the top. They prevent pulling the Pull Out Desk too far.



# Assembly Instructions

## Customer Notice

Dear Customer,

Congratulations on the recent purchase of your furniture!

### Customer Service:

For missing or spare parts requests please contact us Monday to Friday – 10am to 3pm in one of the following ways:

Phone: 0844 8008475

Email: [service@nordika.co.uk](mailto:service@nordika.co.uk)

Please inform: product, colour, where did you buy it, part no, quantity and reason for request. We need your full name, address and telephone number.

Fax: Please complete the enclosed Service Form and fax to 0560 1132071

By post: Please complete the enclosed Service Form and post to:

Nordika Design Ltd.  
High Rigg  
Panorama Drive  
Ilkley, LS29 9RA

We will do our utmost to supply spare parts within 7-10 working days of receipt of request.

Our quality control team has ensured a high quality product that we are sure you will be pleased with. Any components produced from solid wood will contain knots and may have surface defects which are a feature of a natural product.

# Customer Service Form

Please return complete to

Fax: 0560 1132071

Name: \_\_\_\_\_

Address: \_\_\_\_\_

\_\_\_\_\_

\_\_\_\_\_

\_\_\_\_\_

\_\_\_\_\_

Contact No: \_\_\_\_\_

Date of purchase: \_\_\_\_\_

Place of purchase: \_\_\_\_\_

Product Name: \_\_\_\_\_

See assembly instructions:

Problem: \_\_\_\_\_

\_\_\_\_\_

\_\_\_\_\_

\_\_\_\_\_

Parts Needed: Part No. Quantity Description

Please quote assembly  
instruction or number

e.g drawer base

\_\_\_\_\_

\_\_\_\_\_

\_\_\_\_\_

\_\_\_\_\_

\_\_\_\_\_

\_\_\_\_\_

\_\_\_\_\_

\_\_\_\_\_

\_\_\_\_\_

\_\_\_\_\_

\_\_\_\_\_

\_\_\_\_\_

\_\_\_\_\_

\_\_\_\_\_

\_\_\_\_\_