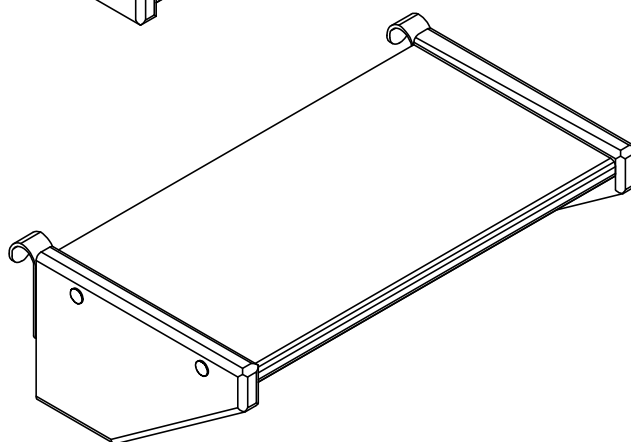
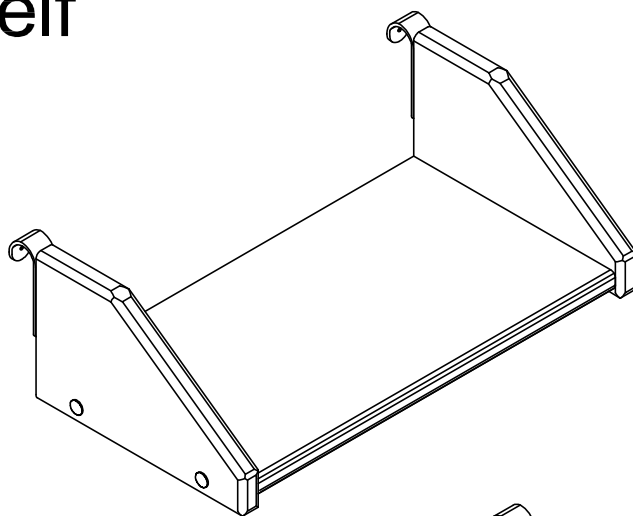


Stompa®

Clip on Shelf

1/4

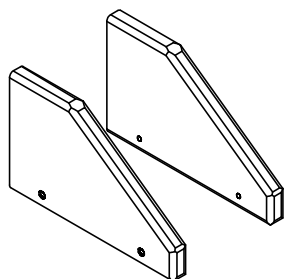
Factory code: W1015
W1015-02 white
W1015-06 lime
W1015-07 pink
W1015-08 blue



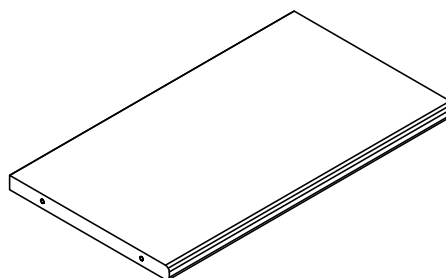
Dimensions

Width- 40,5 cm
Depth- 21,1 cm
Height- 13 cm

Components



1 Side x2
(21,1x13x1,9 cm)



2 Shelf x1
(36,7x20,6x1,6 cm)



Safe and Care Advice

Important - Please read these instructions fully before starting assembly

- Check you have all the components and tools listed

- Remove all fittings from the plastic bags and separate them into their groups.

- Keep children and animals away from the work area, small parts could choke if swallowed.

- Make sure you have enough space to lay out the parts before starting.

- Do not stand or put weight on the product, this could cause damage.

- Assemble the item as close to its final position (in the same room) as possible.

- Assemble on a soft level surface to avoid damaging the unit or your floor.

- Parts of the assembly will be easier with 2 people.



- We do not recommend the use of power drills/drivers **for inserting screws**,

as this could damage the unit. Only use hand screwdrivers.

- Dispose all packaging carefully and responsibly.

Glue safety - Take care when using glue, please follow the advice below

Skin contact: Remove contamination by washing with soap and water. This procedure should also be followed prior to eating and drinking.

Eye contact: Rinse immediately with clean water for 15 minutes and seek medical advice.

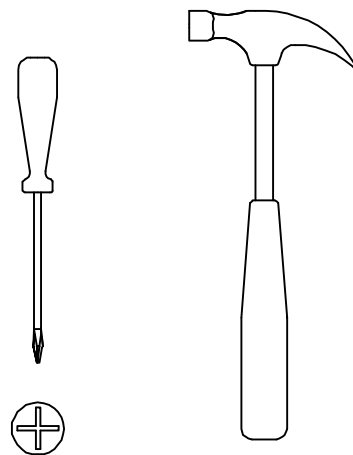
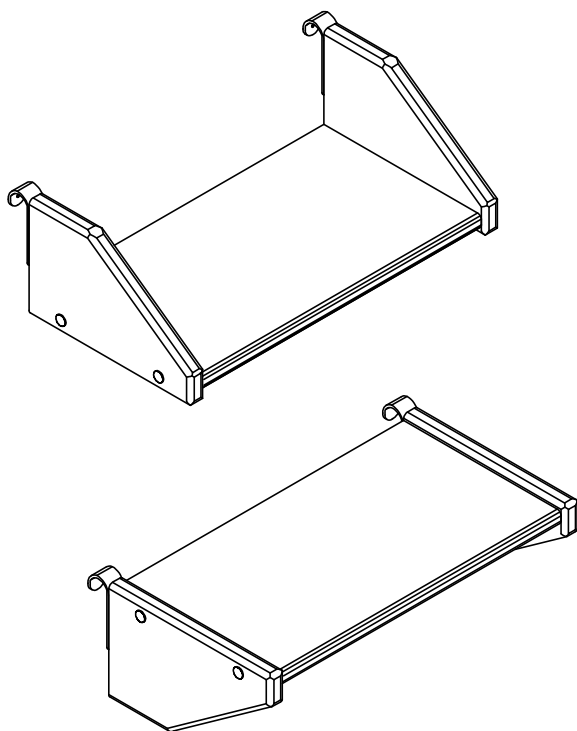
If swallowed: Seek medical advice immediately.

Care and maintenance

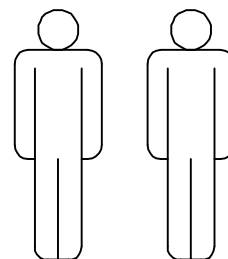
- Only clean using a damp cloth and mild detergent, do not use bleach or abrasive cleaners.

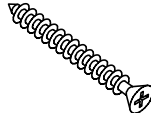
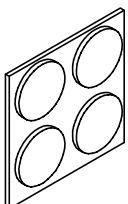

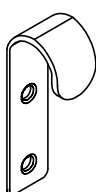

- From time to time check that there are no loose screws on this unit.

- This product should not be discarded with household waste. Take to your local authority waste disposal centre.

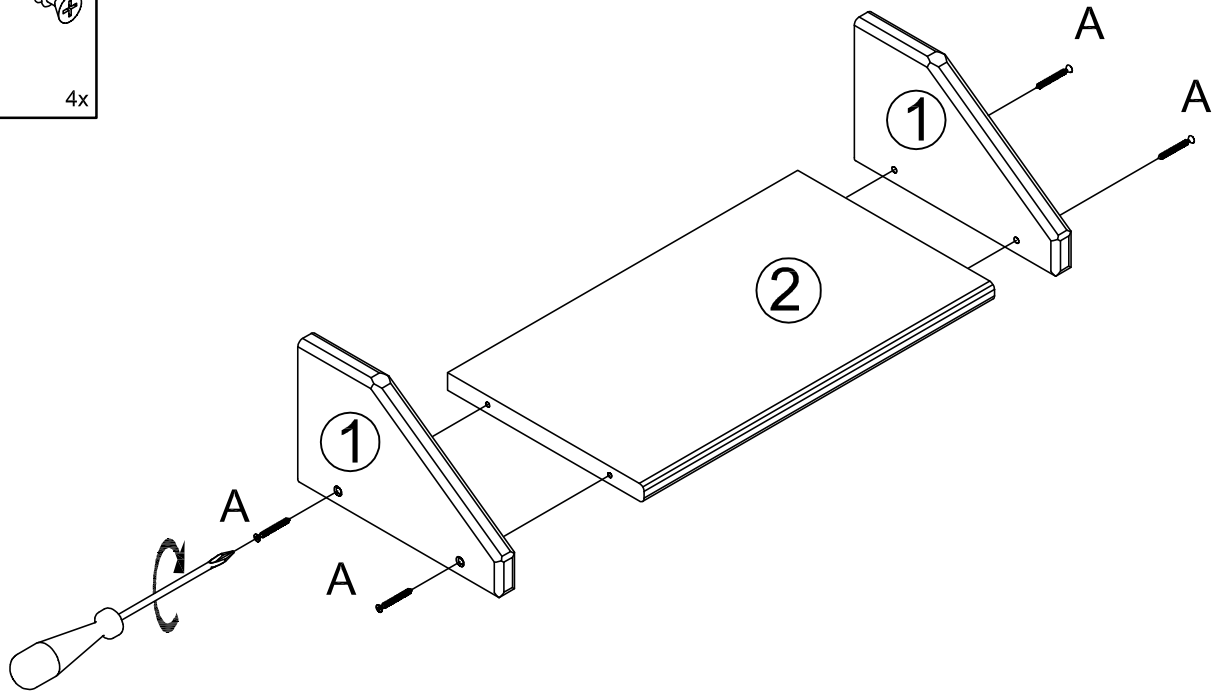
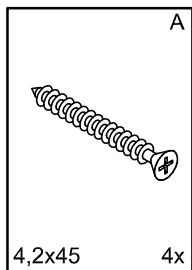


Tools that are needed

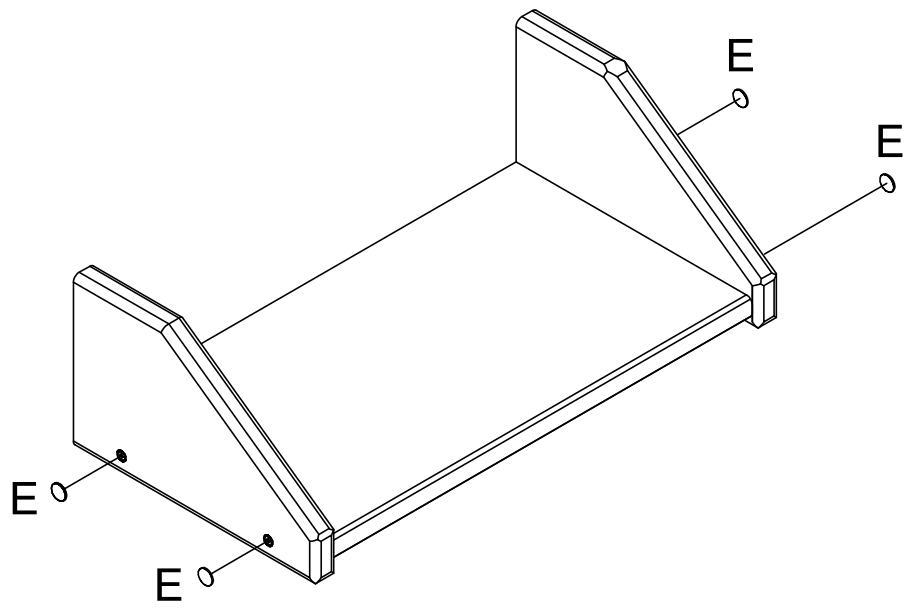
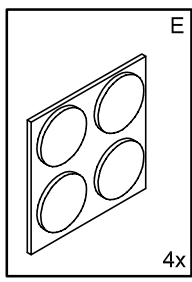


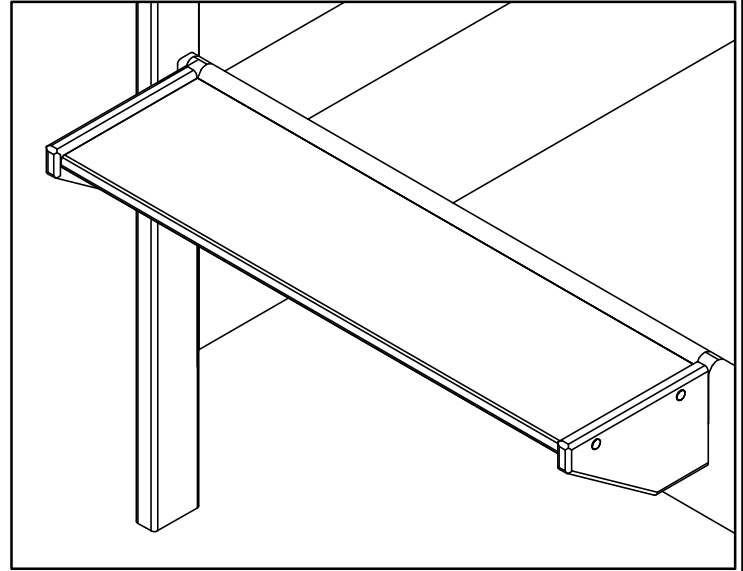
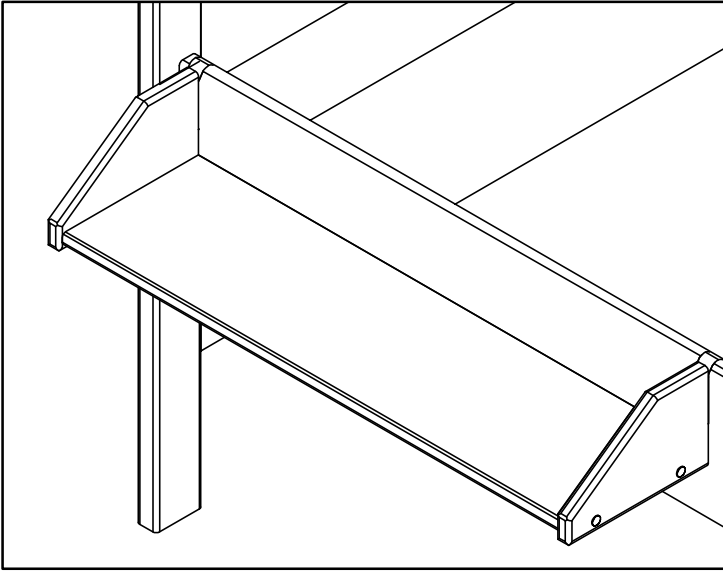
<p>A</p>  <p>4,2x45</p> <p>4x</p>	<p>E</p>  <p>4x</p>	<p>B</p>  <p>3,5x20</p> <p>6x</p>	<p>C</p>  <p>2x</p>	<p>D</p>  <p>2x</p>
--	--	--	---	--

1.



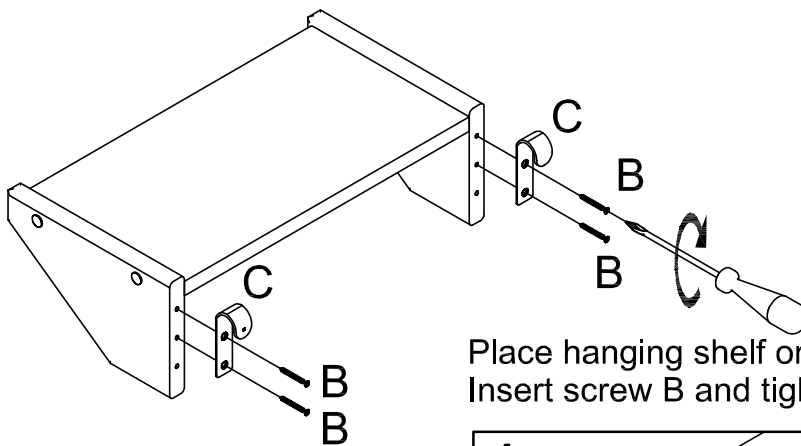
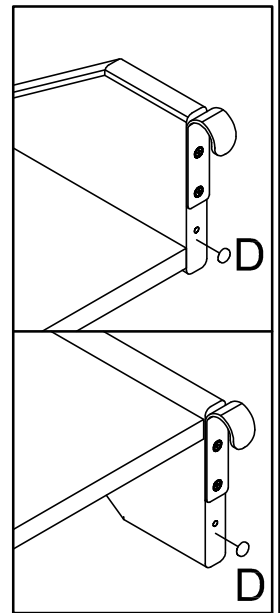
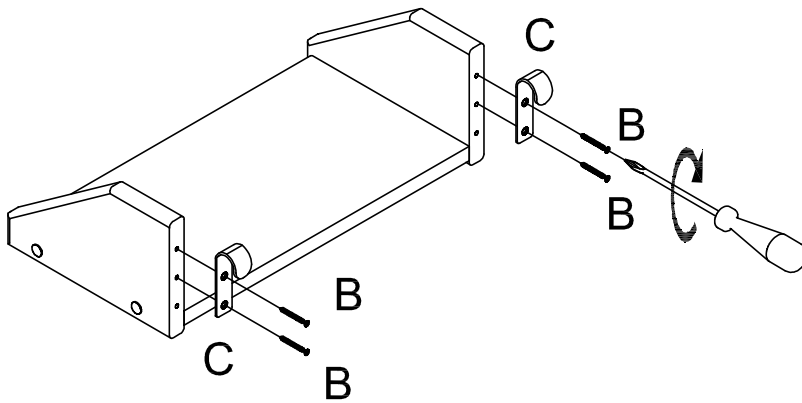
2.



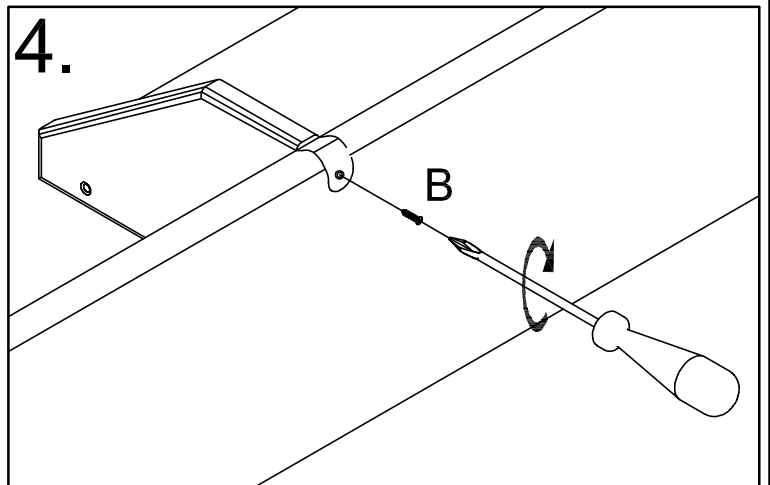
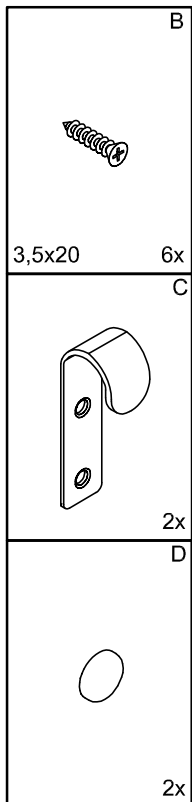


Decide which way to turn your hanging shelf.

3.



Place hanging shelf onto your bedrail as decided.
Insert screw B and tighten with screwdriver.



Assembly Instructions

Customer Notice

Dear Customer,

Congratulations on the recent purchase of your furniture!

Customer Service:

For missing or spare parts requests please contact us Monday to Friday – 10am to 3pm in one of the following ways:

Phone: 0844 8008475

Email: service@nordika.co.uk

Please inform: product, colour, where did you buy it, part no, quantity and reason for request. We need your full name, address and telephone number.

Fax: Please complete the enclosed Service Form and fax to 0560 1132071

By post: Please complete the enclosed Service Form and post to:

Nordika Design Ltd.
High Rigg
Panorama Drive
Ilkley, LS29 9RA

We will do our utmost to supply spare parts within 7-10 working days of receipt of request.

Our quality control team has ensured a high quality product that we are sure you will be pleased with. Any components produced from solid wood will contain knots and may have surface defects which are a feature of a natural product.

Customer Service Form

Please return complete to

Fax: 0560 1132071

Name: _____

Address: _____

Contact No: _____

Date of purchase: _____

Place of purchase: _____

Product Name: _____

See assembly instructions:

Problem: _____

Parts Needed:	<u>Part No.</u>	<u>Quantity</u>	<u>Description</u>
Please quote assembly instruction or number	_____	_____	e.g drawer base _____
	_____	_____	_____
	_____	_____	_____
	_____	_____	_____
	_____	_____	_____