

Dimensions

Width- 200 cm

Depth- 39,4 cm

Height- 34,7 cm

Important- Please read these instructions fully before starting assembly

If you need help or have damaged or missing parts, call the **Customers Helpline:** 0844 8008475



Safe and Care Advice

Important - Please read these instructions fully before starting assembly

- Check you have all the components and tools listed

- Remove all fittings from the plastic bags and separate them into their groups.

- Keep children and animals away from the work area, small parts could choke if swallowed.

- Make sure you have enough space to lay out the parts before starting.

- Do not stand or put weight on the product, this could cause damage.

- Assemble the item as close to its final position (in the same room) as possible.

- Assemble on a soft level surface to avoid damaging the unit or your floor.

- Parts of the assembly will be easier with 2 people.



- We do not recommend the use of power drills/drivers **for inserting screws**,

as this could damage the unit. Only use hand screwdrivers.

- Dispose all packaging carefully and responsibly.

Glue safety - Take care when using glue, please follow the advice below

Skin contact: Remove contamination by washing with soap and water. This procedure should also be followed prior to eating and drinking.

Eye contact: Rinse immediately with clean water for 15 minutes and seek medical advice.

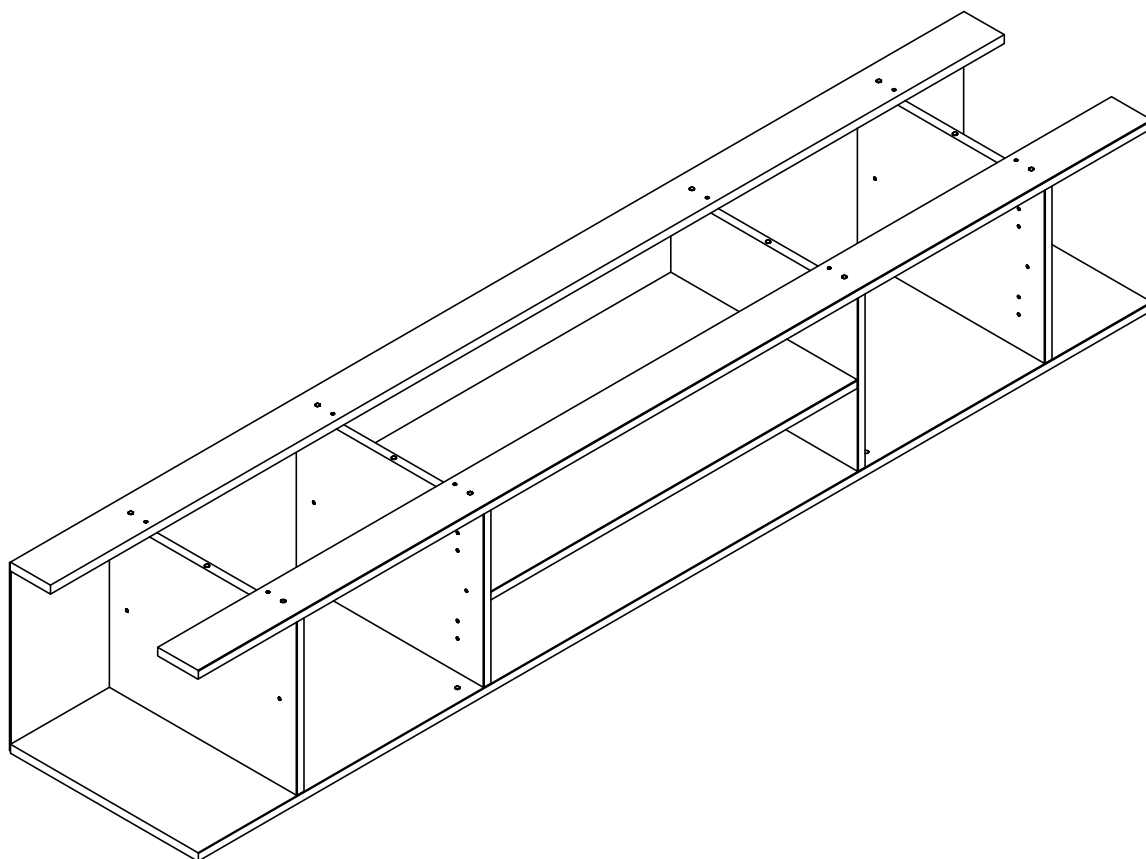
If swallowed: Seek medical advice immediately.

Care and maintenance

- Only clean using a damp cloth and mild detergent, do not use bleach or abrasive cleaners.

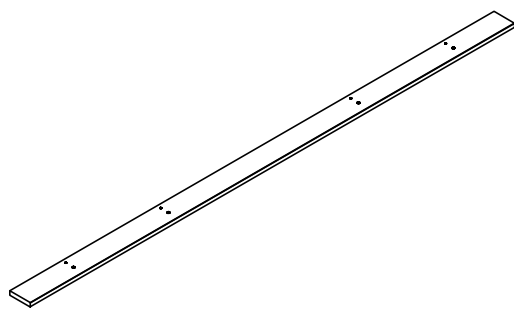
- From time to time check that there are no loose screws on this unit.

- This product should not be discarded with household waste. Take to your local authority waste disposal centre.

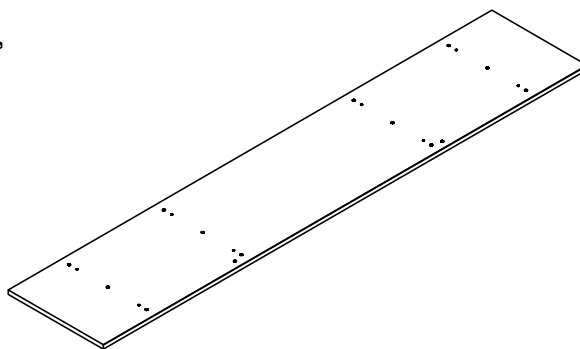


Components- Panels

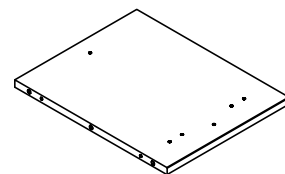
Please check that you have the panels listed below



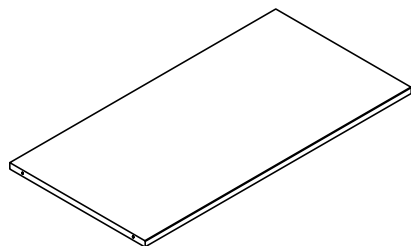
1 Support rails x2
(200x8,5x1,6 cm)



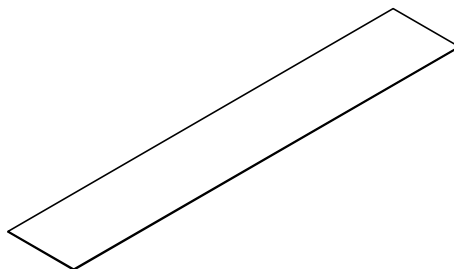
2 Base x1
(200x39,4x1,6 cm)



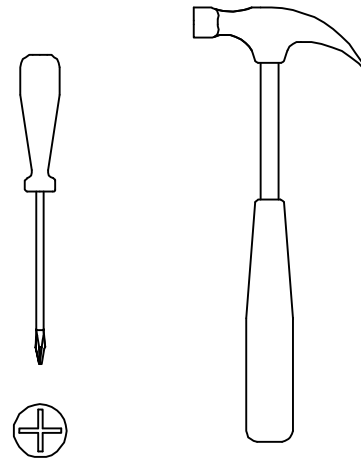
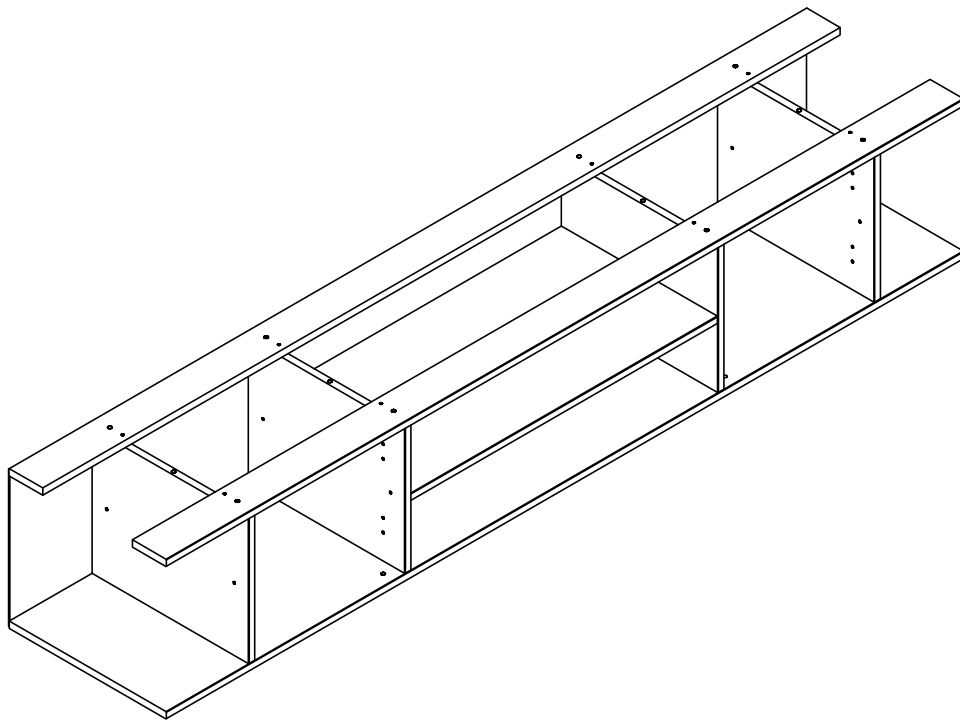
3 Side x4
(31,5x39,3x1,6 cm)



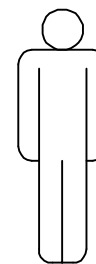
4 Shelf x1
(76,9x39,1x1,6 cm)



5 Back panel x1
(199,8x34,1x0,3 cm)


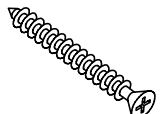
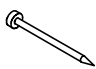
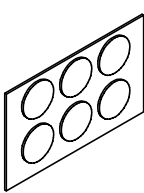


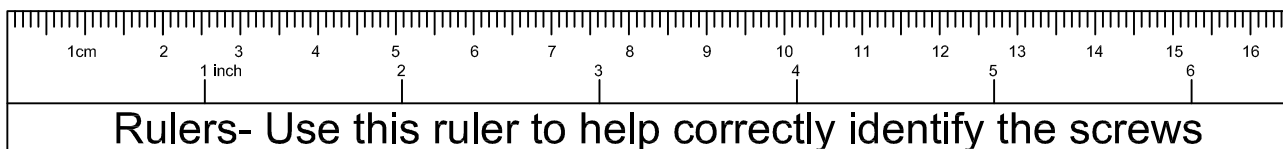
Tools that are needed



Components- Fittings

Please check that you have the fittings listed below

<p>A</p>  <p>8x30</p>	<p>F</p>  <p>20x 3,5x45</p>	<p>H</p>  <p>50x</p>	<p>J</p>  <p>8x</p>
--	--	---	---

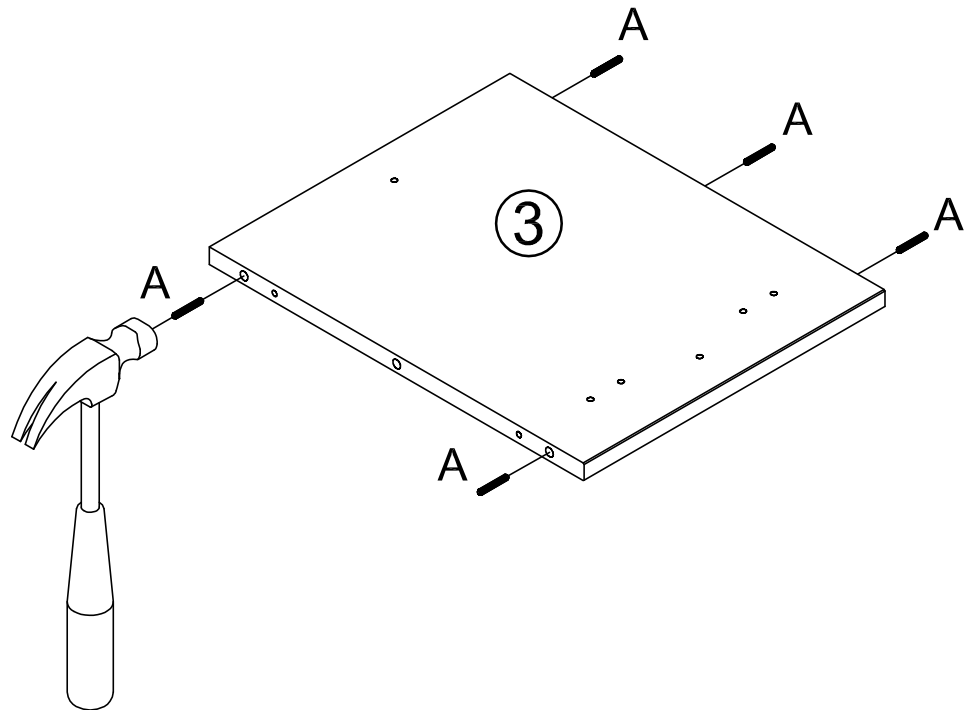


Step 1

In this step use these fittings:

Ax10

Insert dowels **A** in sides **3**.
Tap gently with a small
hammer.



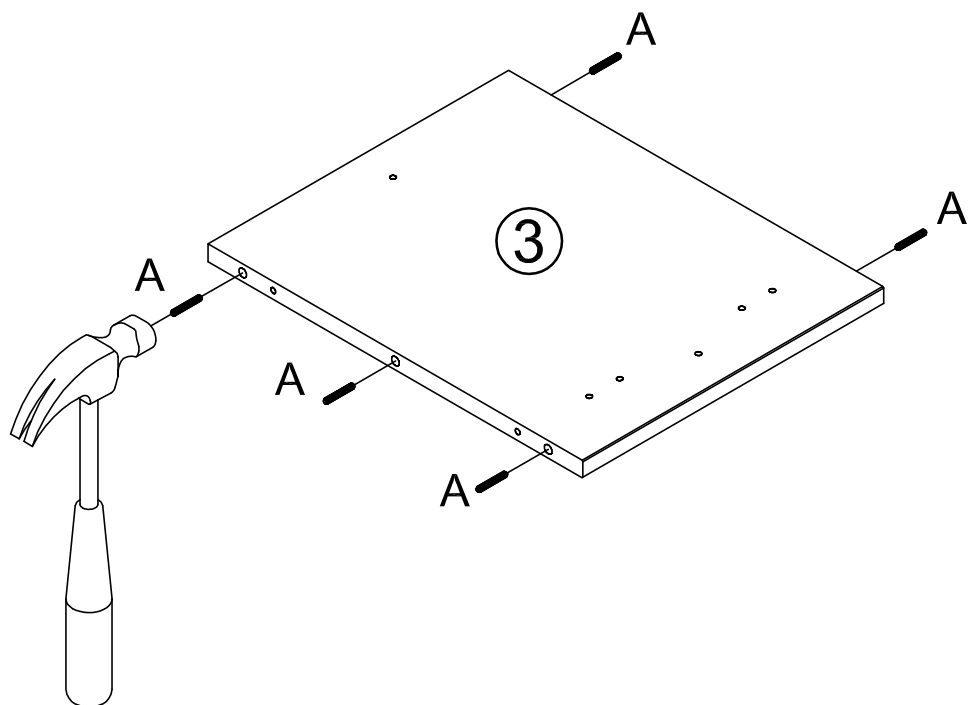
x2

Step 2

In this step use these fittings:

Ax10

Insert dowels **A** in sides **3**.
Tap gently with a small
hammer.



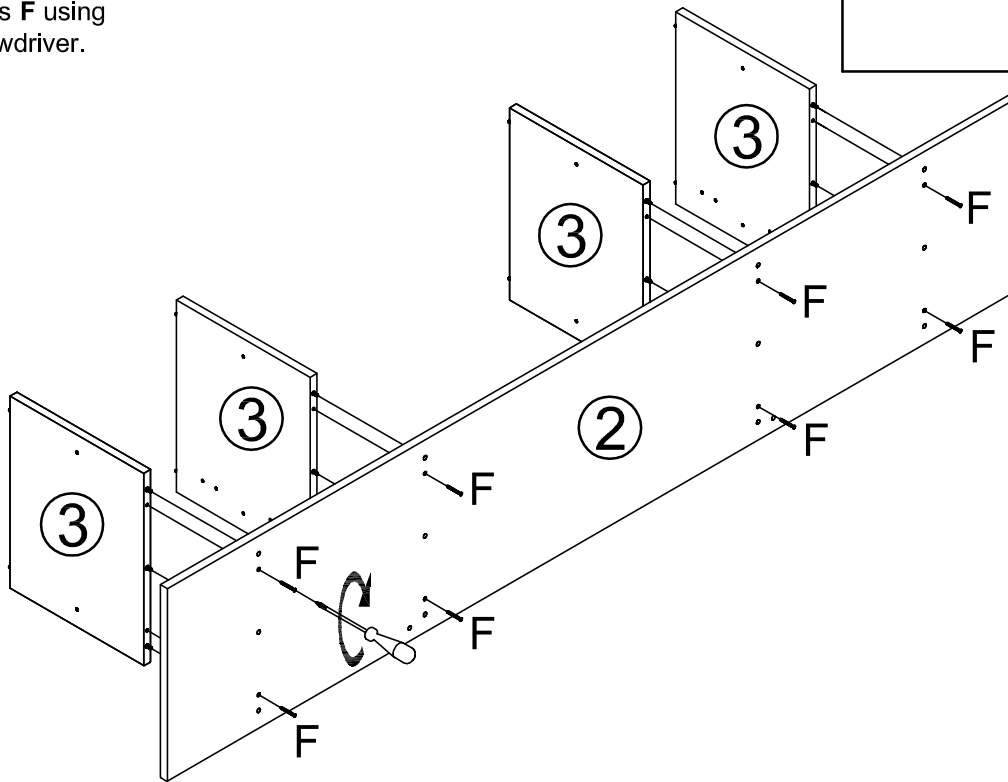
x2

Step 3

In this step use these fittings:

Fx8

Assemble base **2** to sides **3**
by pushing them together.
Fasten with screws **F** using
Phillips head screwdriver.

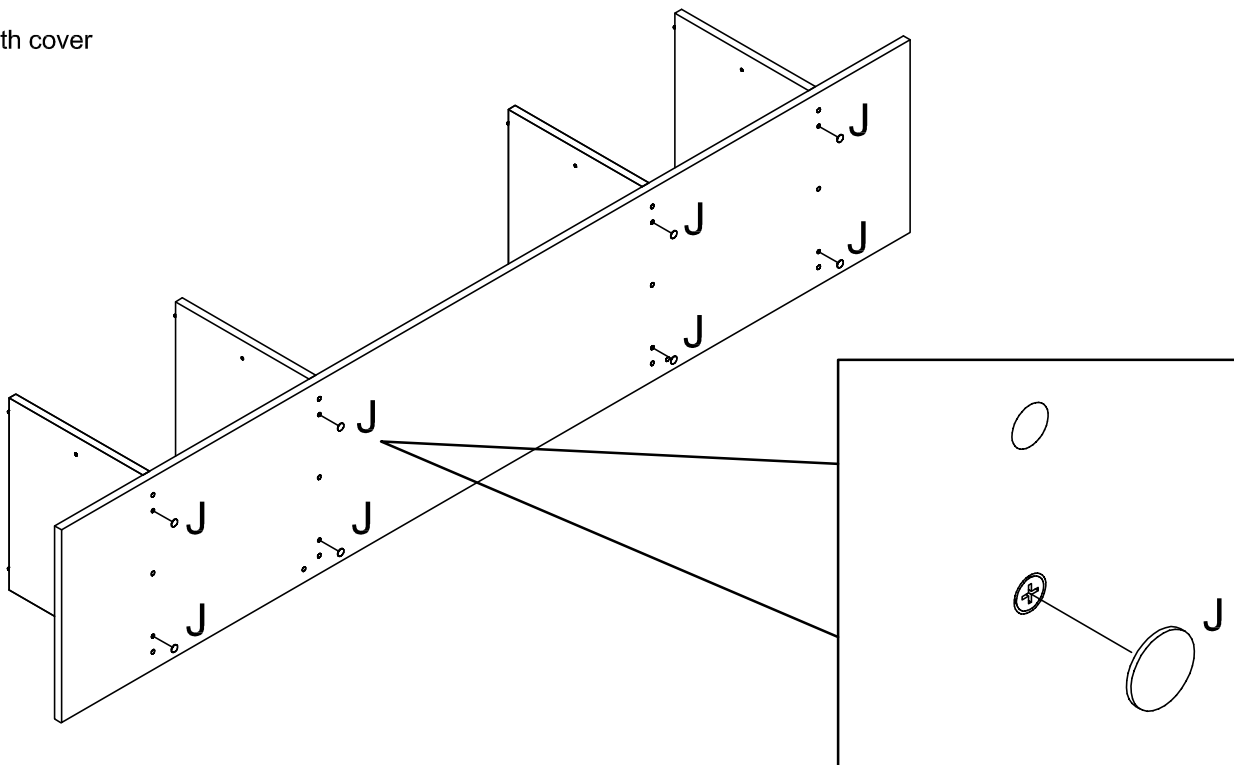


Step 4

In this step use these fittings:

Jx8

Cover screws with cover
caps **J**

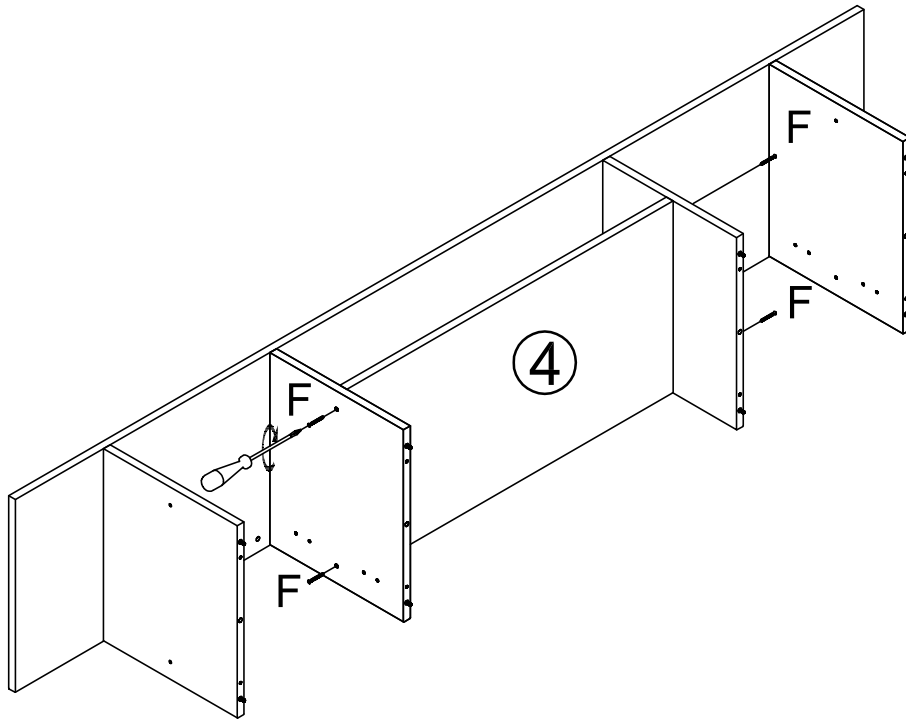


Step 5

In this step use these fittings:

Fx4

Assemble shelf 4 between sides 3 with screws **F** using Phillips head screwdriver.

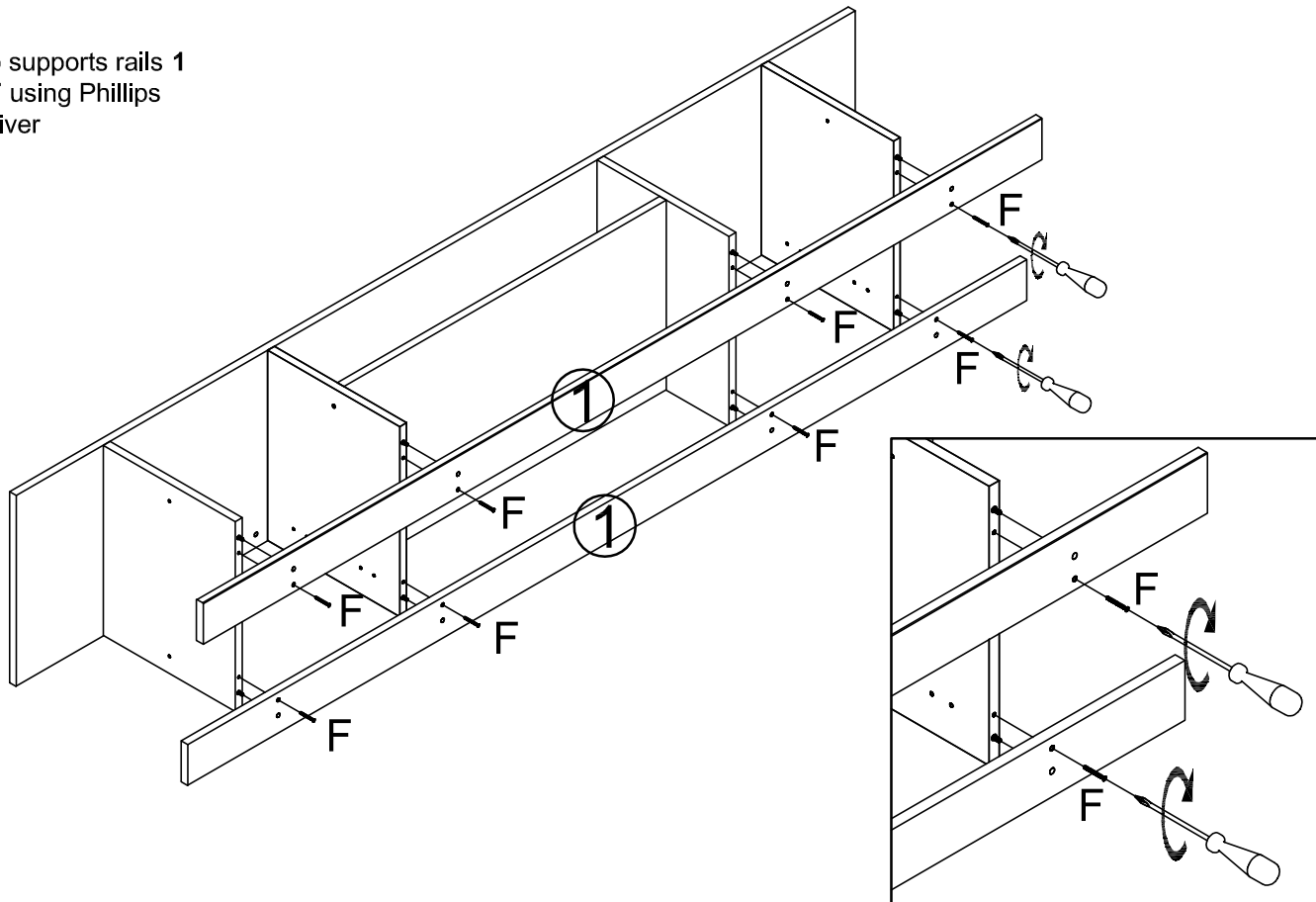


Step 6

In this step use these fittings:

Fx8

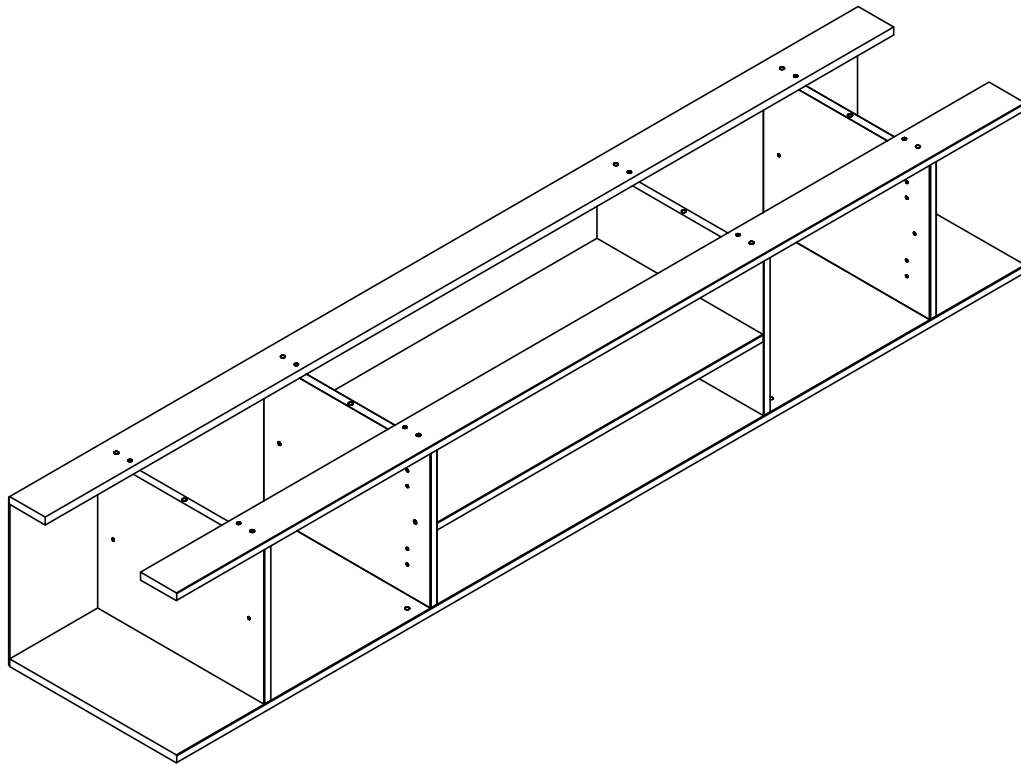
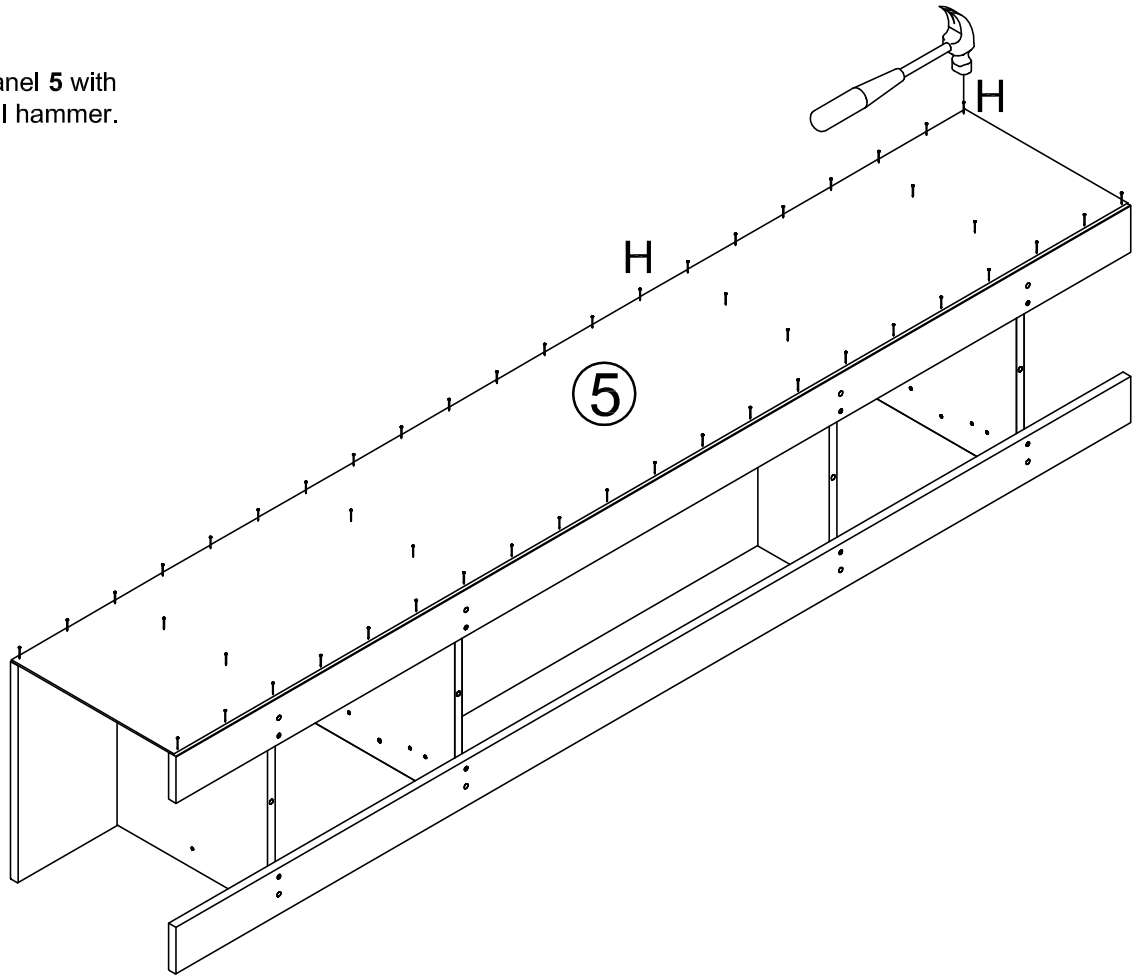
Assemble top supports rails 1 with screws **F** using Phillips head screwdriver



Step 7

In this step use these fittings:
Hx50

Assemble back panel **5** with
nails **H** using small hammer.



Customer Notice

Dear Customer,

Congratulations on the recent purchase of your furniture!

Customer Service:

For missing or spare parts requests please contact us Monday to Friday – 10am to 3pm in one of the following ways:

Phone: 0844 8008475

Email: spares@stompa.com

Please inform: product, colour, where did you buy it, part no, quantity and reason for request. We need your full name, address and telephone number.

Fax: Please complete the enclosed Service Form and fax to 0560 1132071

By post: Please complete the enclosed Service Form and post to:

Nordika Design Ltd t/a Stompa
High Rigg
Panorama Drive
Ilkley, LS29 9RA

We will do our utmost to supply spare parts within 7-10 working days of receipt of request.

Our quality control team has ensured a high quality product that we are sure you will be pleased with. All our furniture is produced from solid wood which contains knots and may have surface defects which are a feature of a natural product.

Customer Service Form

Please return complete to

Fax: 0560 1132071

Name: _____

Address: _____

Contact No: _____

Date of purchase: _____

Place of purchase: _____

Product Name: _____

See assembly instructions

Problem _____

Parts Needed:	<u>Part No.</u>	<u>Quantity</u>	Description
Please quote assembly instruction letter or number	_____	_____	e.g drawer base
	_____	_____	_____
	_____	_____	_____
	_____	_____	_____
	_____	_____	_____