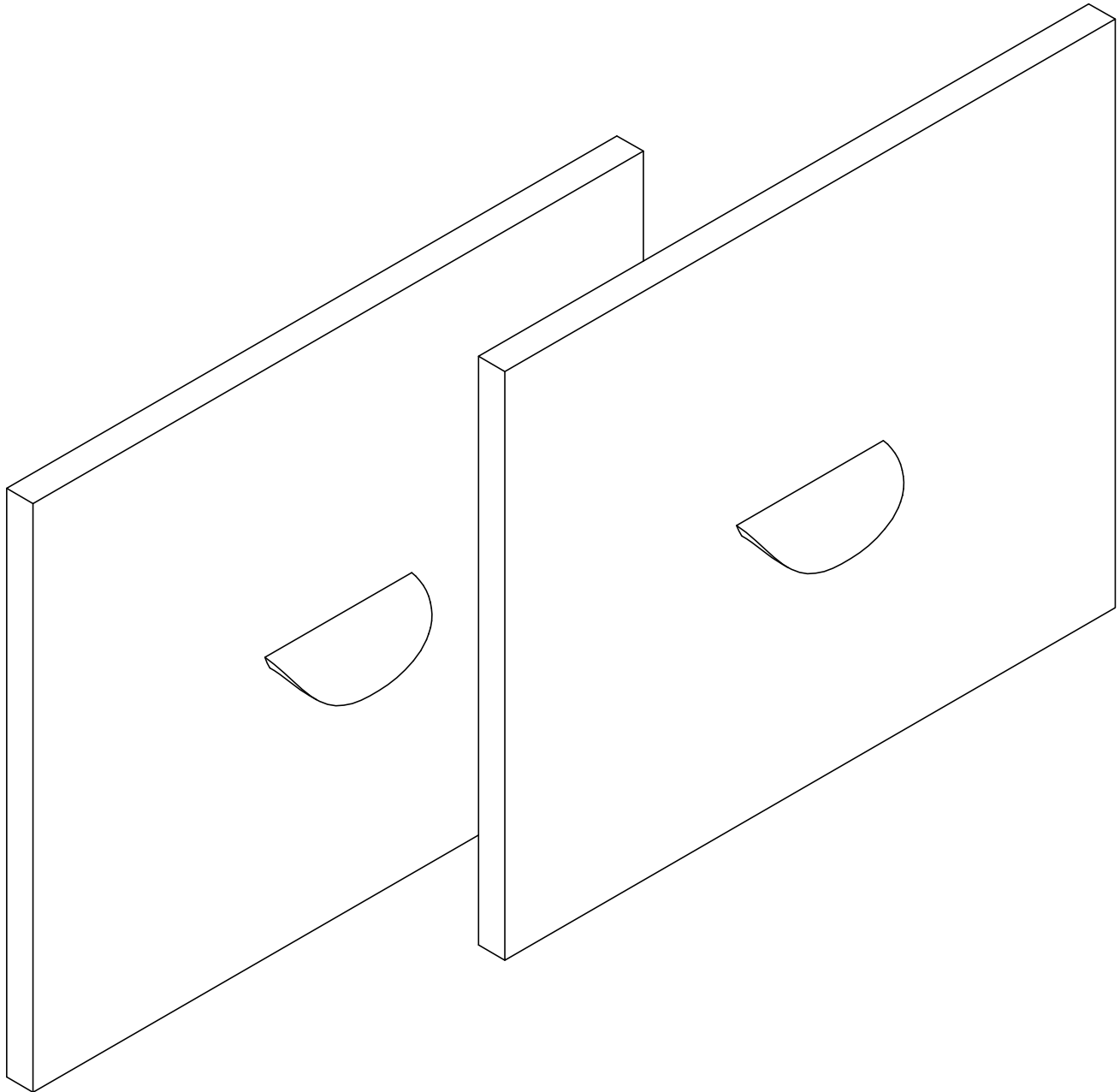


Assembly instructions - please keep for future reference

80364527 White

80364528 Pink

80364529 Blue



Dimensions

Width- 37 cm

Depth- 1,6 cm

Height- 30,9 cm

Important- Please read these instructions fully before starting assembly

If you need help or have damaged or missing parts, call the **Customers Helpline:** 0844 8008475



Instructions for use

IMPORTANT, READ CAREFULLY- RETAIN FOR FUTURE REFERENCE

WARNING: This product is suitable for children above the age of 3 years old

Before starting assembly:

*Do not use this item if any structural part is broken or missing

*Check you have all the components and tools listed

*Remove all fittings from the plastic bags and separate them into their groups

*Keep children and animals from the work area, small parts could choke if swallowed

*Make sure you have enough space to lay out the parts before starting

*Assemble the items as close to its final position (in the same room) as possible

*Assemble on the soft level surface to avoid damaging the unit or your floor



We do not recommend the use of power drills/drivers for inserting screws, as this could damage the unit. Only use hand screwdrivers.

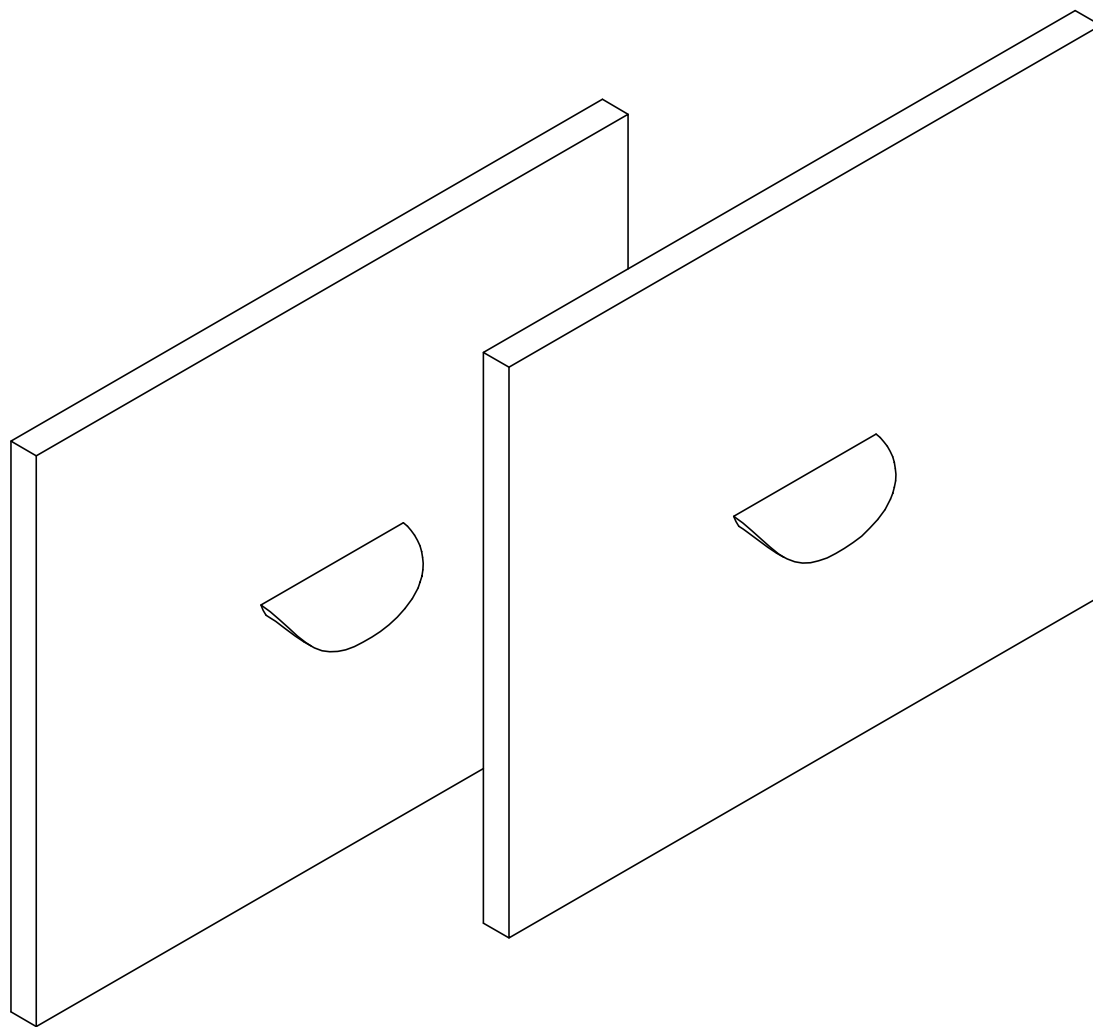
*Dispose of all packaging carefully and responsibly.

Care and maintenance:

* Only clean using a damp cloth and mild detergent, do not use bleach or abrasive cleaners.

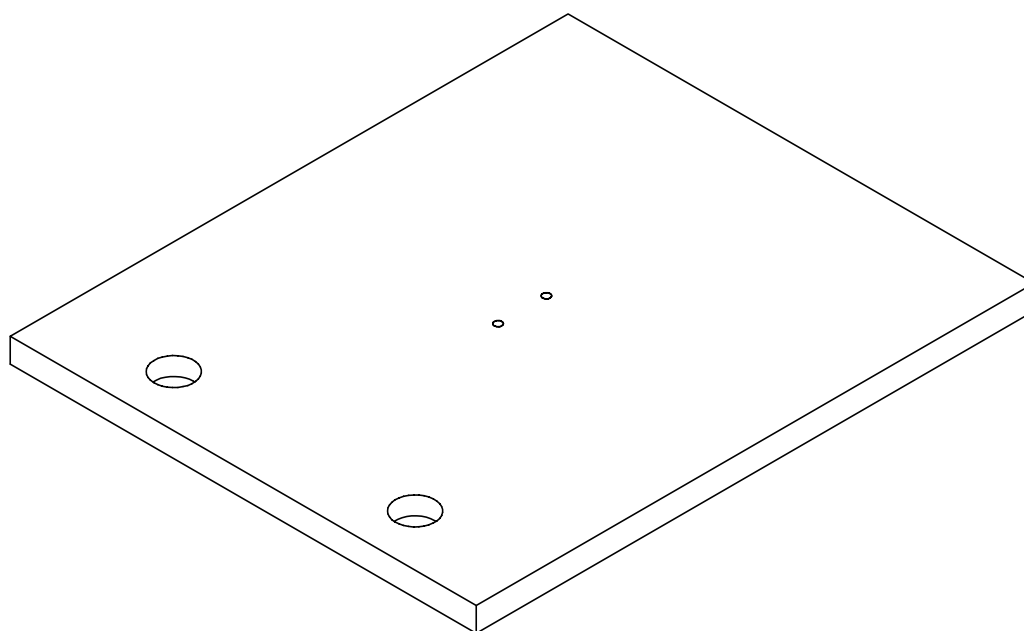
*Regularly check all fastenings to ensure that they properly tightened

*Our furniture will endure most temperatures in the home but it is best to avoid placing furniture next to the heat sources such as radiators or fires. Be particularly careful with solid wood as the lack of humidity caused by central heating can cause damage such as warping

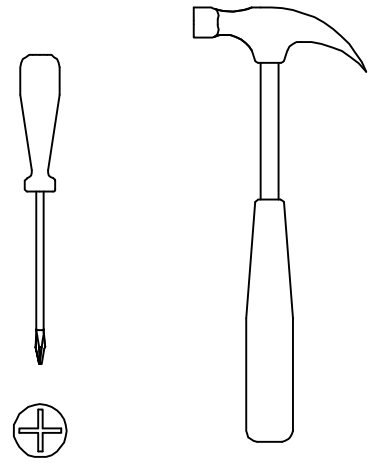
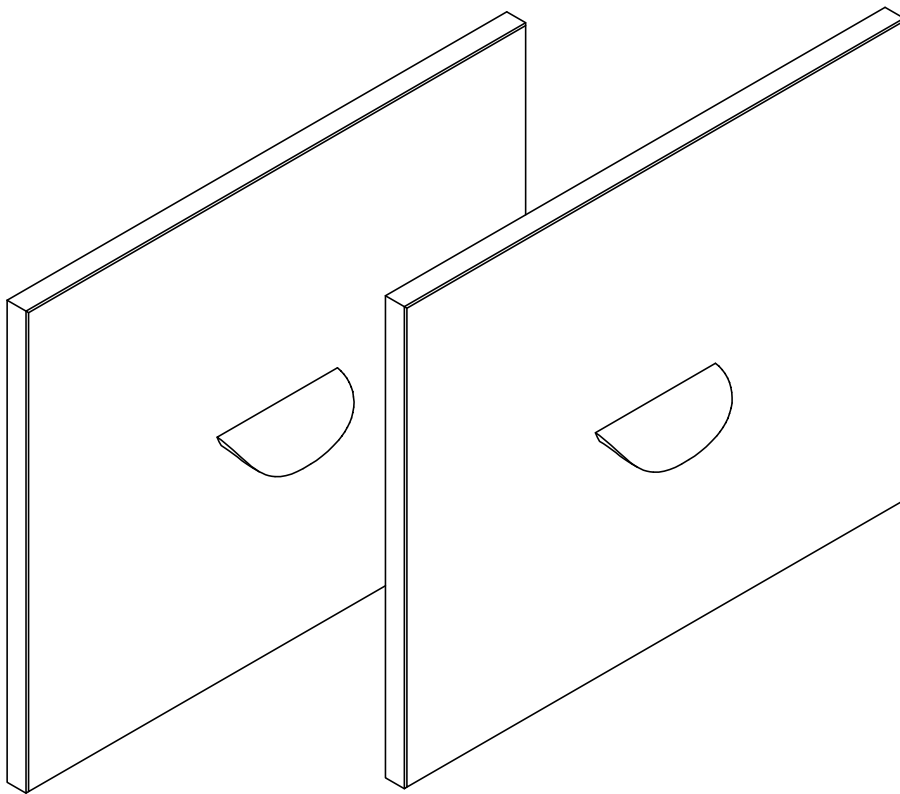


Components- Panels

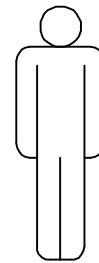
Please check that you have the panels listed below



1 Door x2
(30,9x37x1,6 cm)

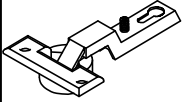

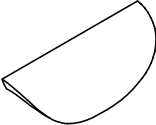
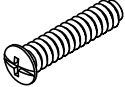

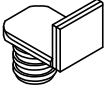


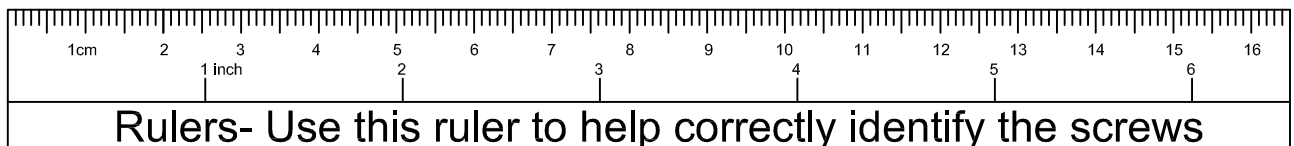
Tools that are needed



Components- Fittings

Please check that you have the fittings listed below

 B 4x	 C 4x	 D 2x	 E 4x20	 G 4x 3,5x12	 I 8x 2x
--	--	--	--	---	--



Step 1

In this step use these fittings:

Bx4

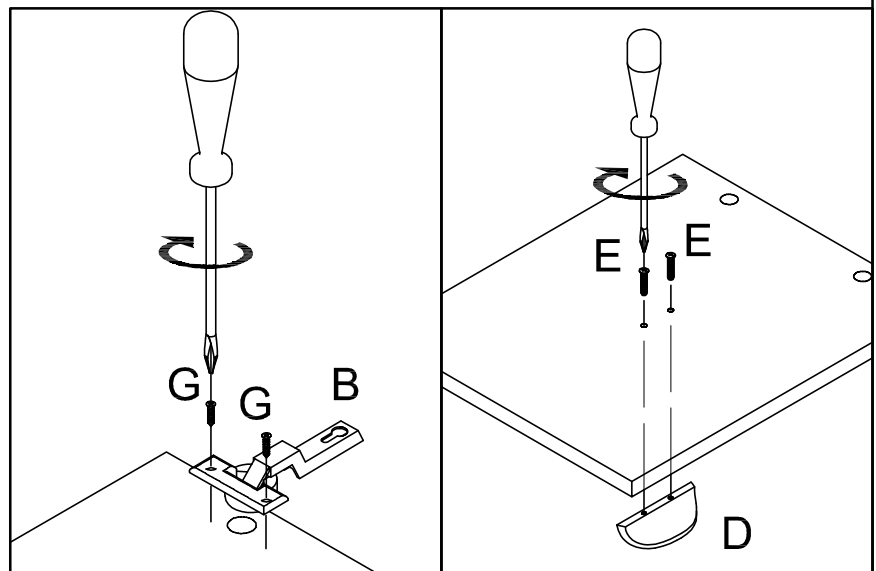
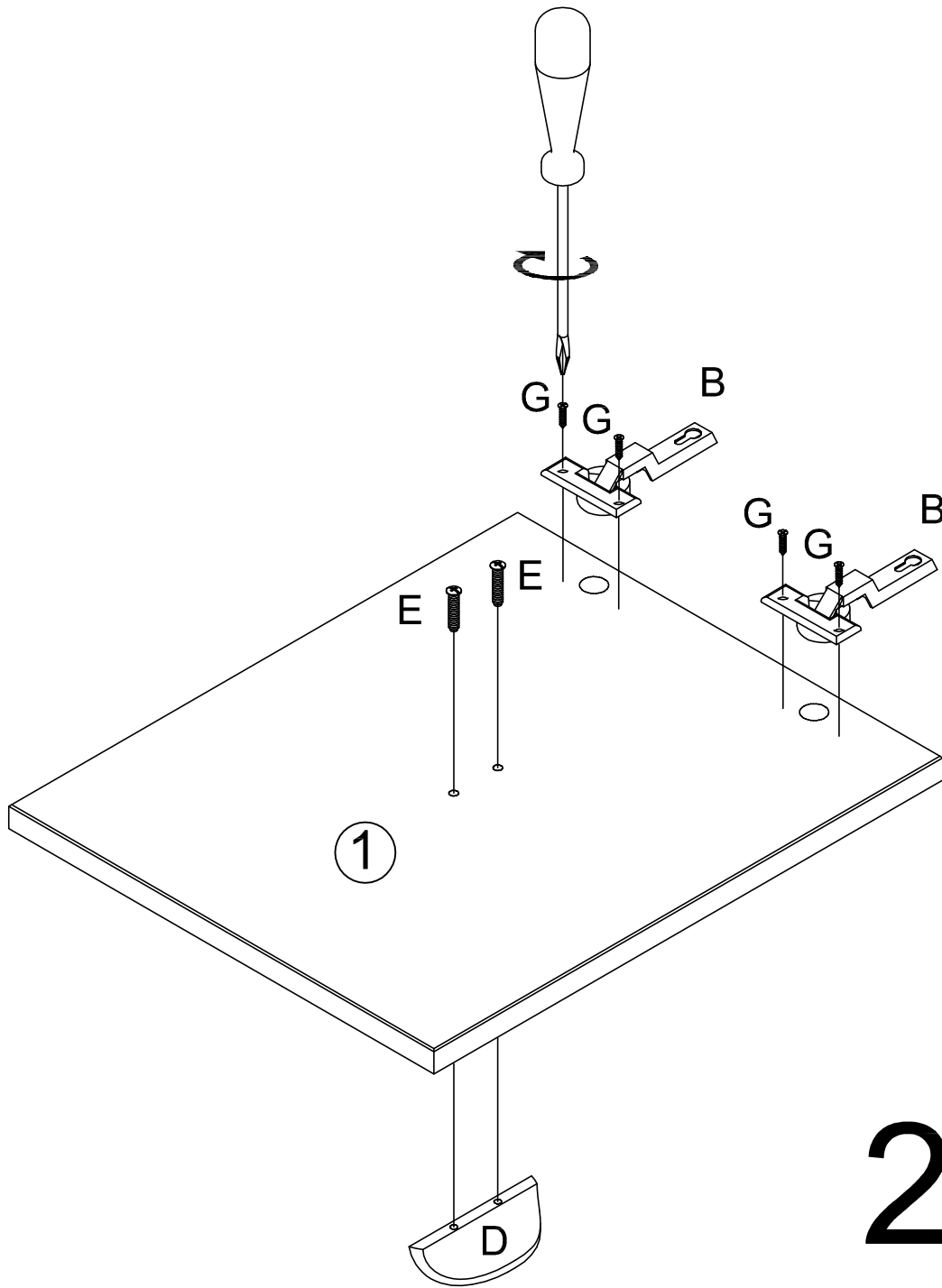
Gx8

Ex4

Dx2

Assemble hinges **B**
with screws **G** using
Phillips head
screwdriver.

Assemble handles **D**
with screws **E** using
Phillips head
screwdriver.



Step 2

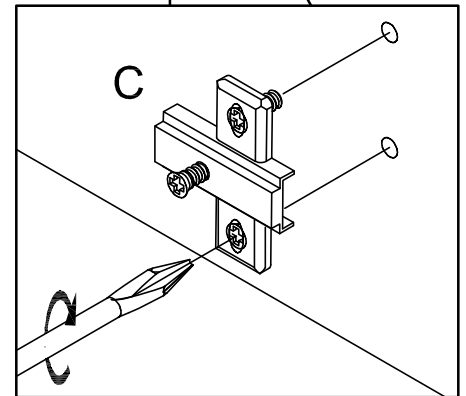
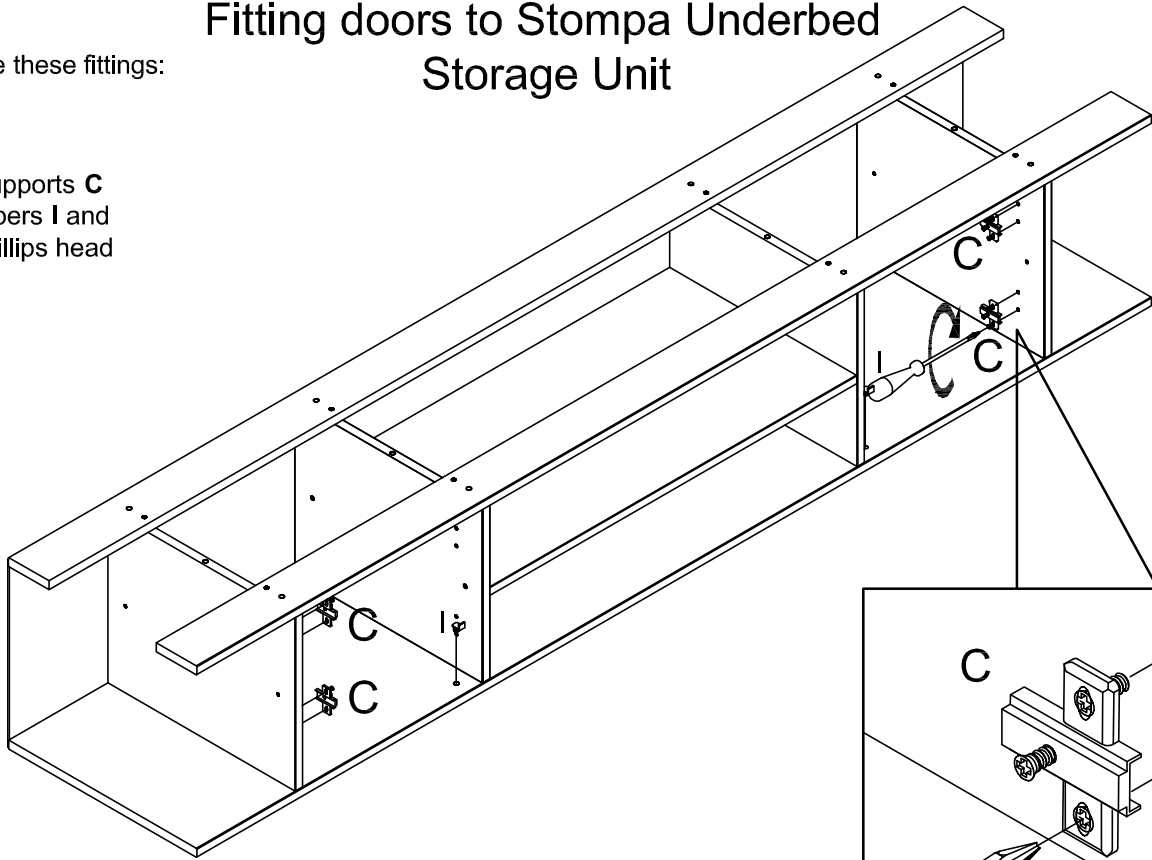
Fitting doors to Stompa Underbed Storage Unit

In this step use these fittings:

Cx4

Ix2

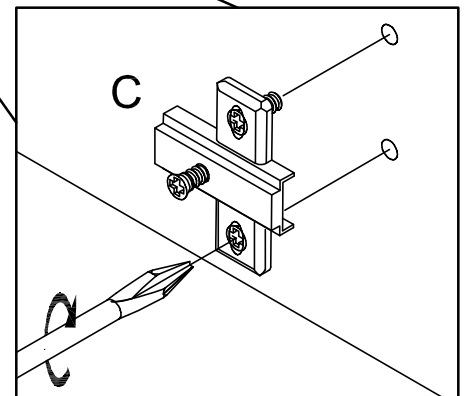
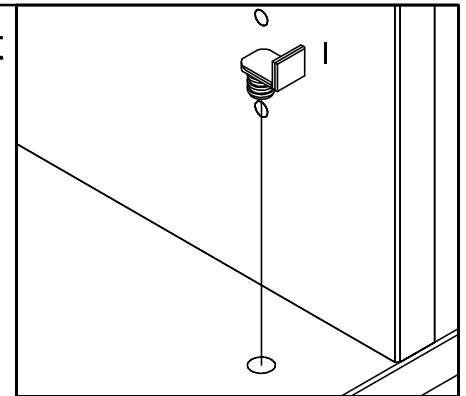
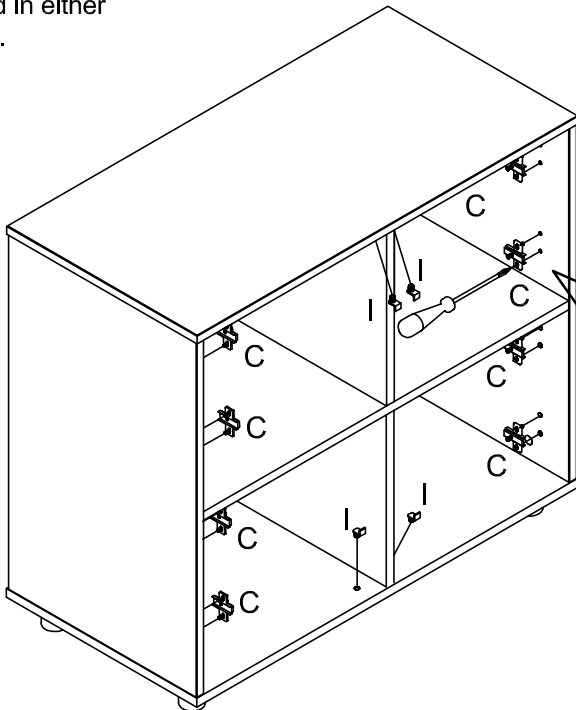
Place hinge supports **C** and door stoppers **I** and fasten with Phillips head screwdriver.



You should decide where to place the doors.

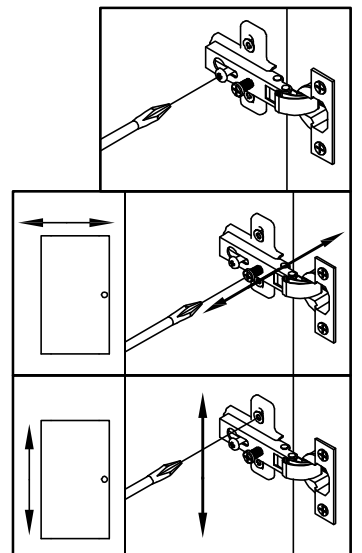
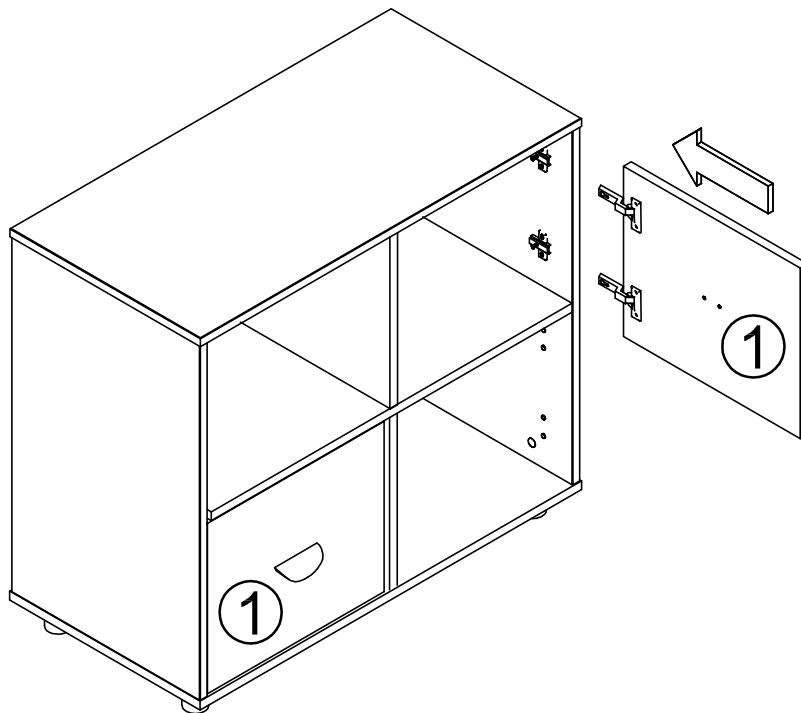
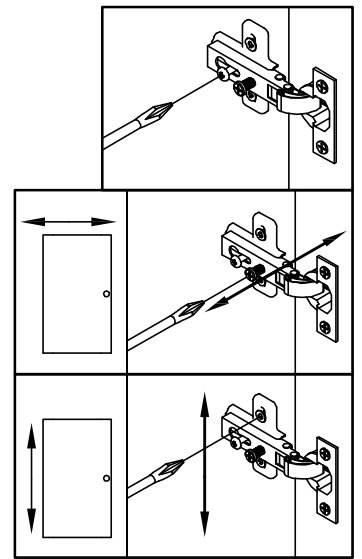
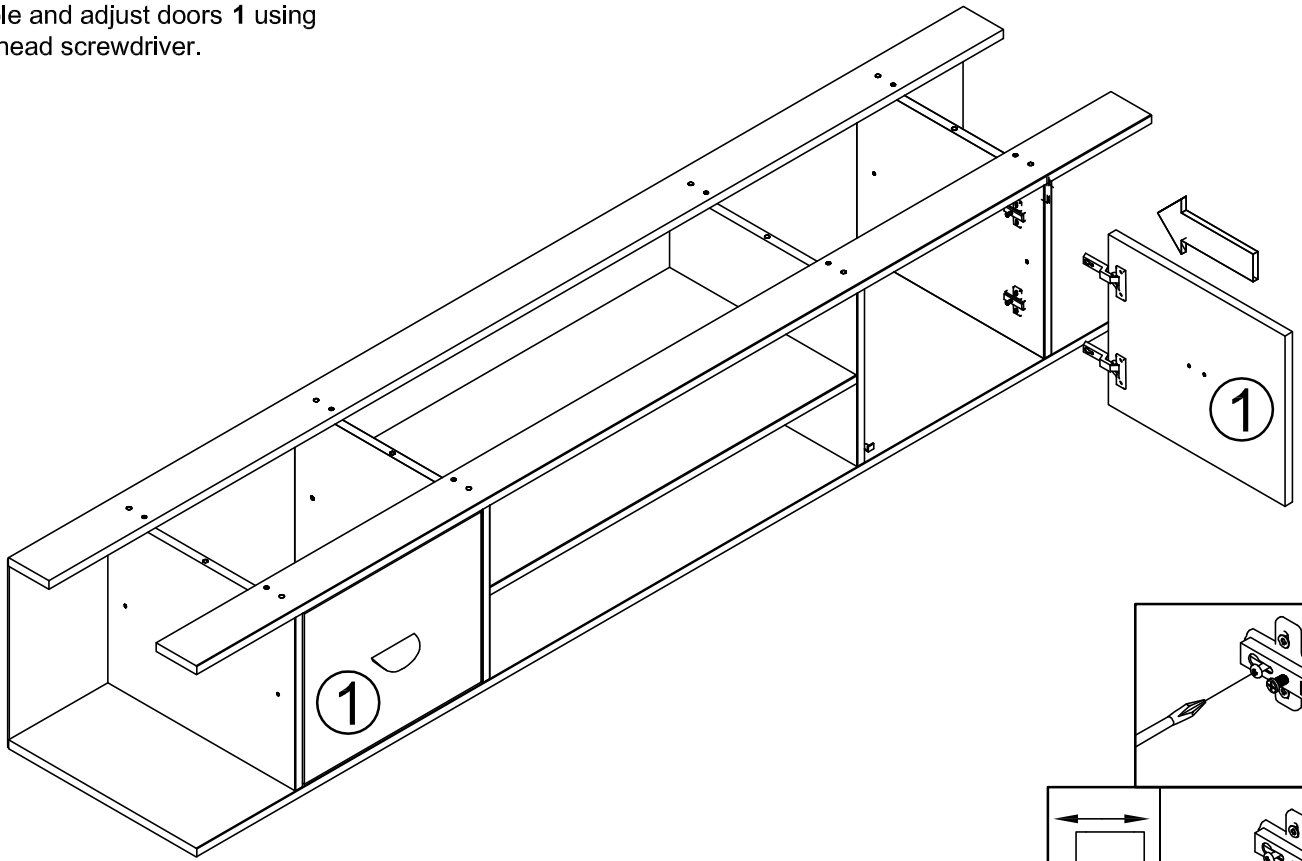
The doors can be used in either of the 4 compartments.

Fitting doors to Stompa Cube Unit



Step 3

Assemble and adjust doors 1 using
Phillips head screwdriver.



Assembly Instructions

Customer Notice

Dear Customer,

Congratulations on the recent purchase of your furniture!

Customer Service:

For missing or spare parts requests please contact us Monday to Friday – 10am to 3pm in one of the following ways:

Phone: 0844 8008475

Email: Spares@stompa.com

Please inform: product, colour, where did you buy it, part no, quantity and reason for request. We need your full name, address and telephone number.

Fax: Please complete the enclosed Service Form and fax to 0560 1132071

By post: Please complete the enclosed Service Form and post to:

Nordika Design Ltd.
High Rigg
Panorama Drive
Ilkley, LS29 9RA

We will do our utmost to supply spare parts within 7-10 working days of receipt of request.

Our quality control team has ensured a high quality product that we are sure you will be pleased with. Any components produced from solid wood will contain knots and may have surface defects which are a feature of a natural product.

Customer Service Form

Please return complete to

Fax: 0560 1132071

Name: _____

Address: _____

Contact No: _____

Date of purchase: _____

Place of purchase: _____

Product Name: _____

See assembly instructions:

Problem:

Parts Needed:

Part No.

Quantity

Description

Please quote assembly
instruction or number

e.g drawer base
