

Dimensions

Width- 79,9 cm

Depth- 39,9 cm

Height- 67,4 cm

71,9 cm inc feet

Important- Please read these instructions fully before starting assembly

If you need help or have damaged or missing parts, call the **Customers Helpline:** 0844 8008475



Safe and Care Advice

Important - Please read these instructions fully before starting assembly

- Check you have all the components and tools listed

- Remove all fittings from the plastic bags and separate them into their groups.

- Keep children and animals away from the work area, small parts could choke if swallowed.

- Make sure you have enough space to lay out the parts before starting.

- Do not stand or put weight on the product, this could cause damage.

- Assemble the item as close to its final position (in the same room) as possible.

- Assemble on a soft level surface to avoid damaging the unit or your floor.

- Parts of the assembly will be easier with 2 people.



- We do not recommend the use of power drills/drivers **for inserting screws**,

as this could damage the unit. Only use hand screwdrivers.

- Dispose all packaging carefully and responsibly.

Glue safety - Take care when using glue, please follow the advice below

Skin contact: Remove contamination by washing with soap and water. This procedure should also be followed prior to eating and drinking.

Eye contact: Rinse immediately with clean water for 15 minutes and seek medical advice.

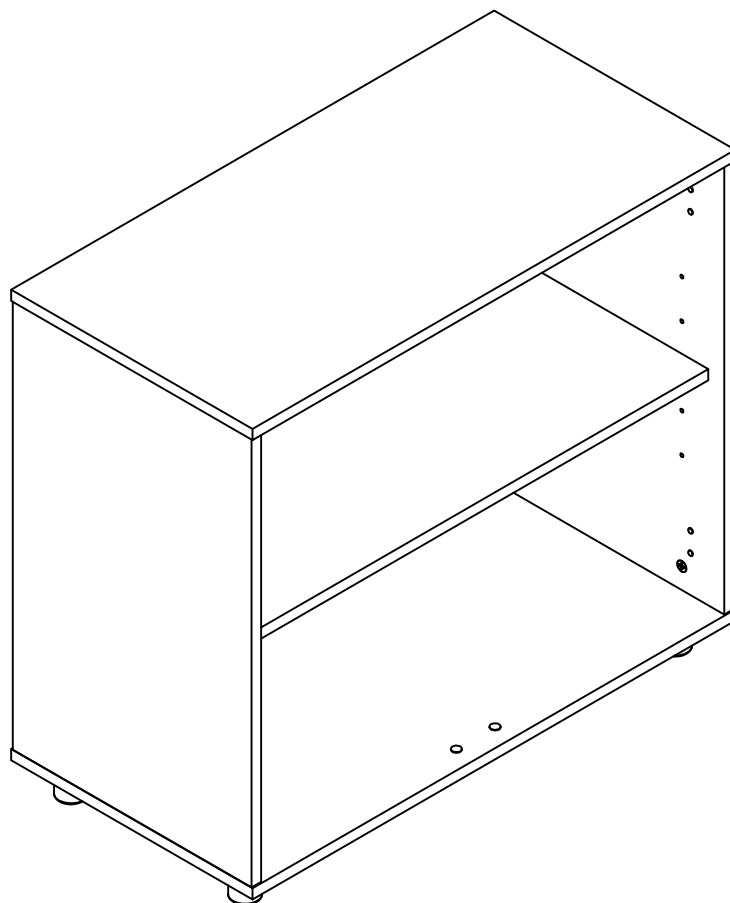
If swallowed: Seek medical advice immediately.

Care and maintenance

- Only clean using a damp cloth and mild detergent, do not use bleach or abrasive cleaners.

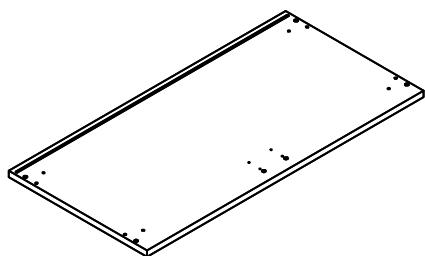
- From time to time check that there are no loose screws on this unit.

- This product should not be discarded with household waste. Take to your local authority waste disposal centre.

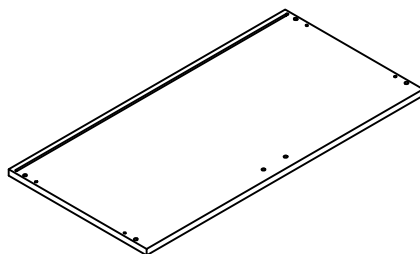


Components- Panels

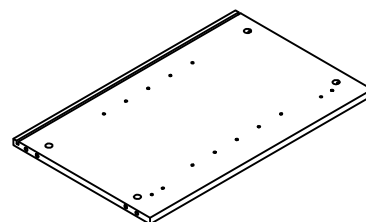
Please check that you have the panels listed below



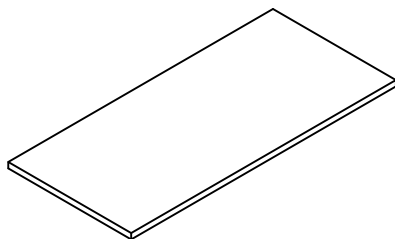
1 Top x1
(79,9x39,9x1,6 cm)



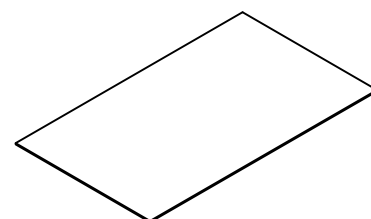
2 Base x1
(79,9x39,9x1,6 cm)



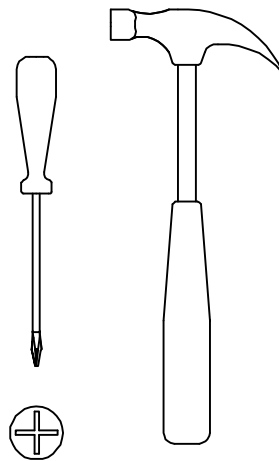
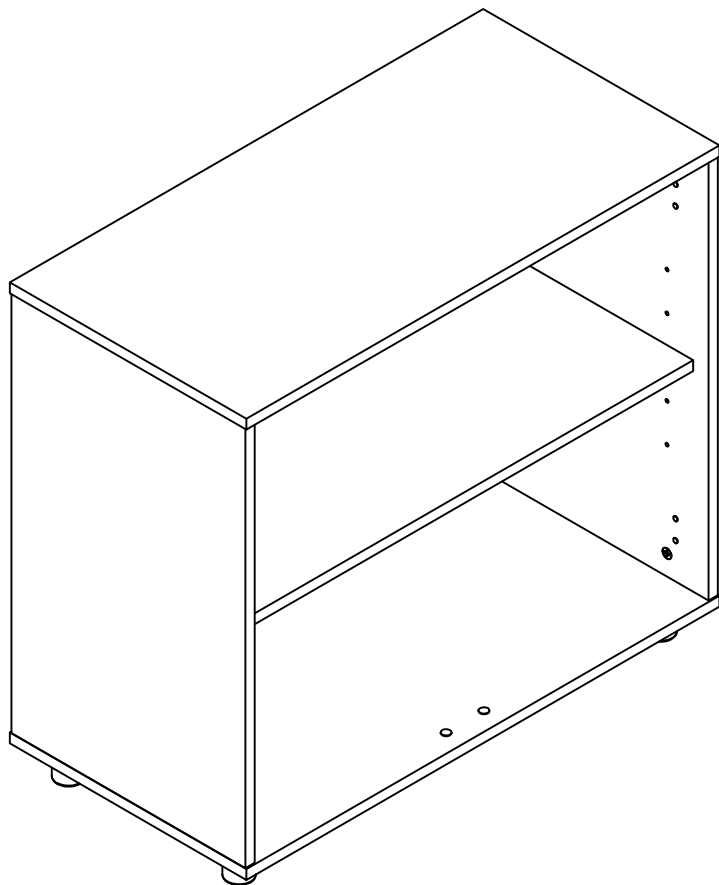
3 Left and right side x2
(64,2x39,5x1,6 cm)



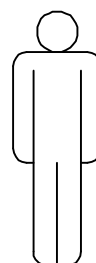
4 Shelf x1
(76,5x35,5x1,6 cm)



5 Back panel x2
(65,6x38,9x0,3 cm)

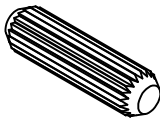

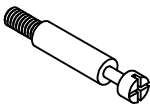
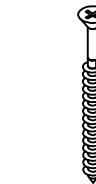
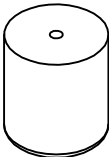
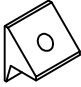
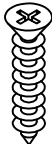
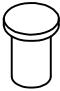
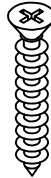
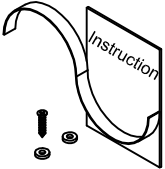
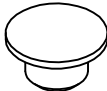
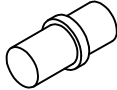
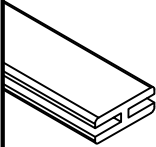


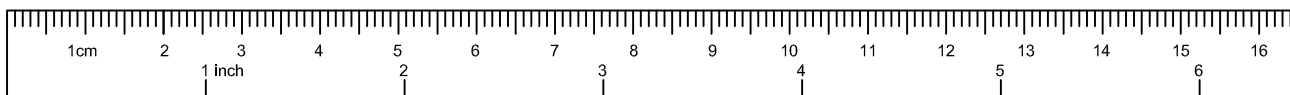
Tools that are needed



Components- Fittings

Please check that you have the fittings listed below

<p>A</p>  <p>8x30 8x</p>	<p>B</p>  <p>15x12 8x</p>	<p>C</p>  <p>6,5x44 8x</p>	<p>D</p>  <p>4,5x55 4x</p>	<p>E</p>  <p>4x</p>	<p>F</p>  <p>8x</p>
<p>G</p>  <p>3,5x20 8x</p>	<p>H</p>  <p>8x</p>	<p>I</p>  <p>4x25 4x</p>	<p>K</p>  <p>1x</p>	<p>L</p>  <p>4x</p>	<p>M</p>  <p>4x</p>
					<p>N</p>  <p>1x</p>



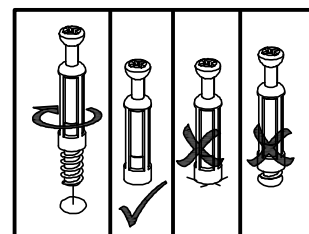
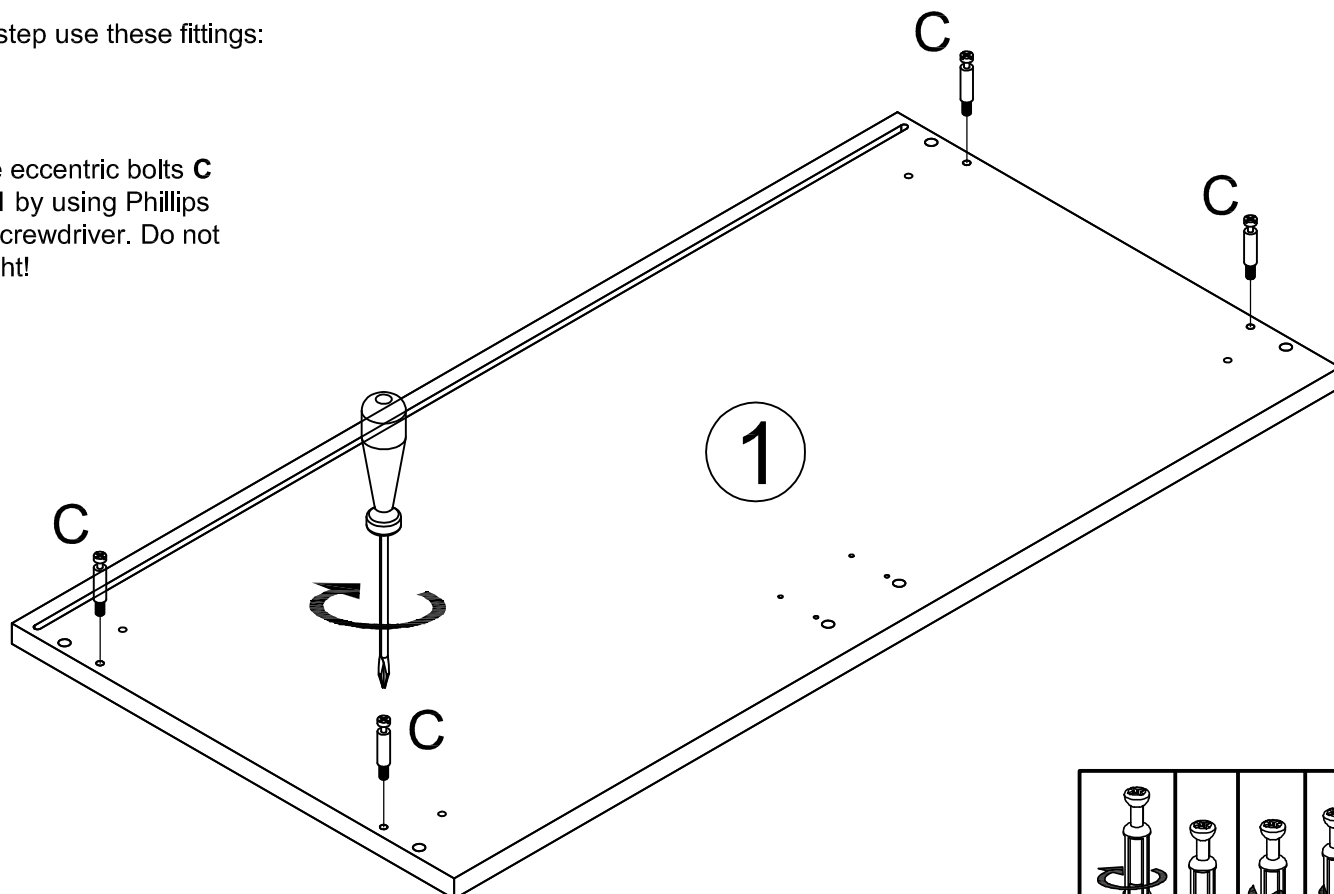
Rulers- Use this ruler to help correctly identify the screws

Step 1

In this step use these fittings:

Cx4

Place eccentric bolts **C** in top **1** by using Phillips head screwdriver. Do not overtight!

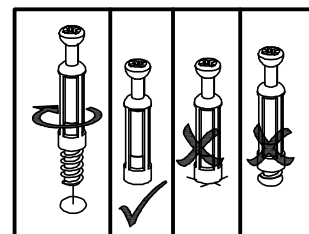
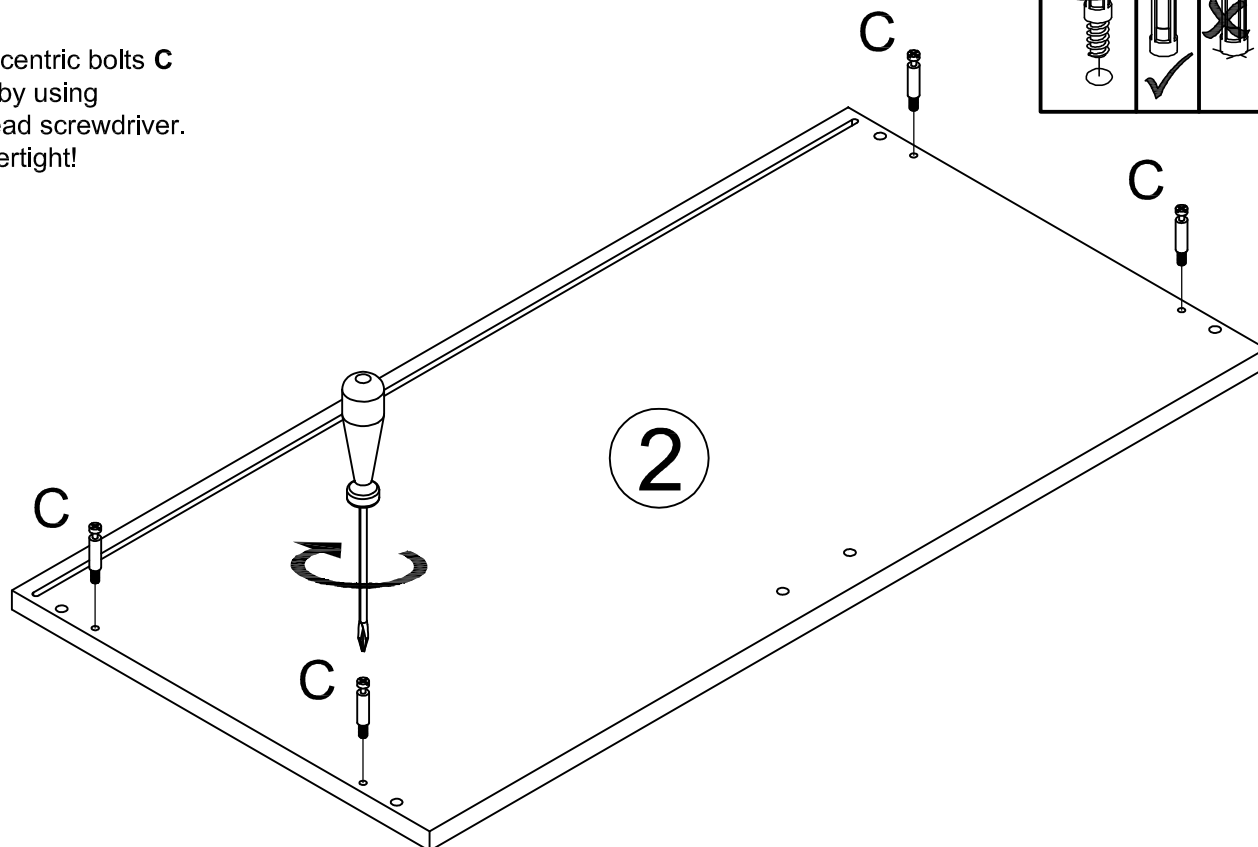


Step 2

In this step use these fittings:

Cx4

Place eccentric bolts **C** in base **2** by using Phillips head screwdriver. Do not overtight!



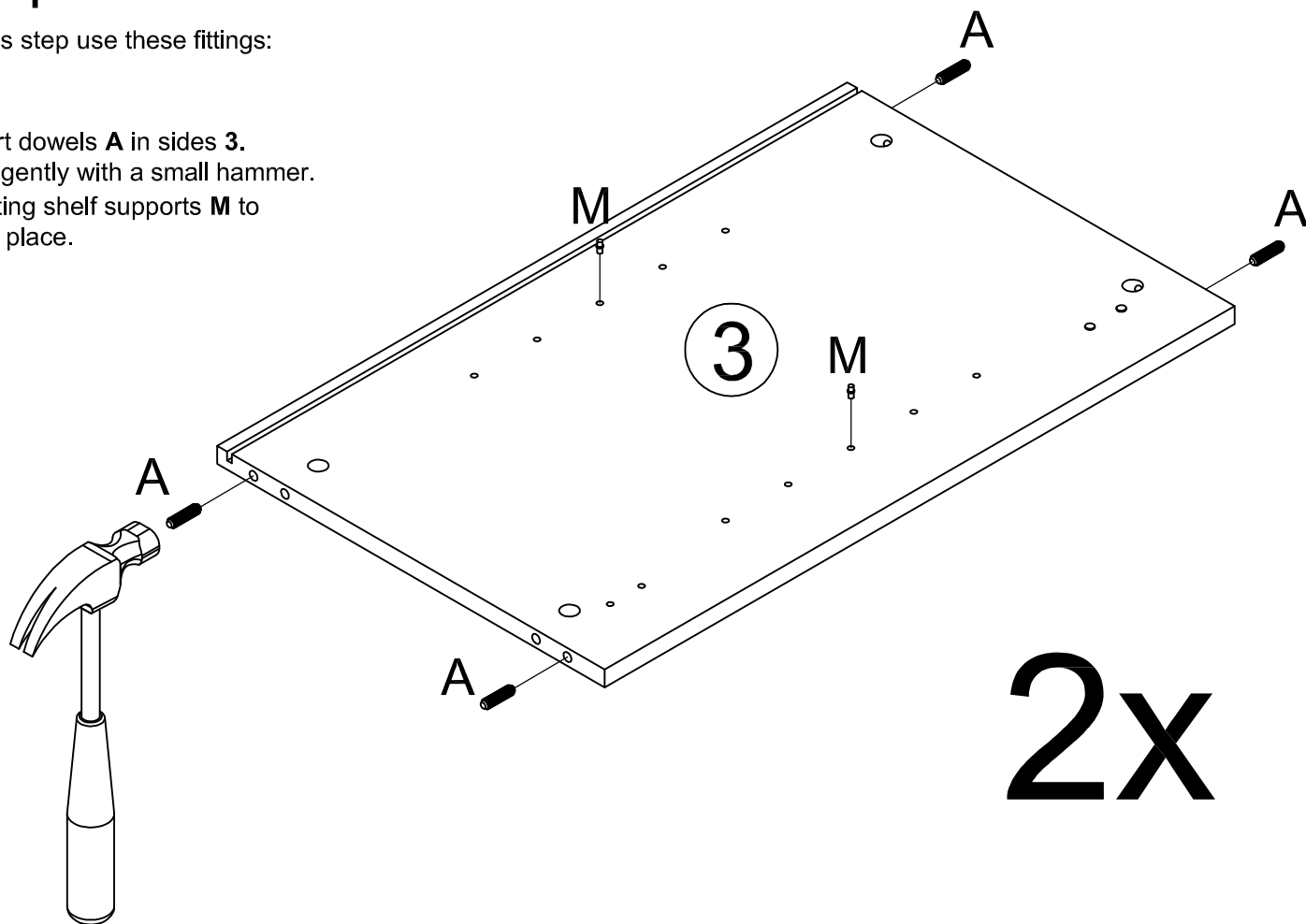
Step 3

In this step use these fittings:

- Ax8**
- Mx4**

Insert dowels **A** in sides **3**.
Tap gently with a small hammer.

Putting shelf supports **M** to their place.

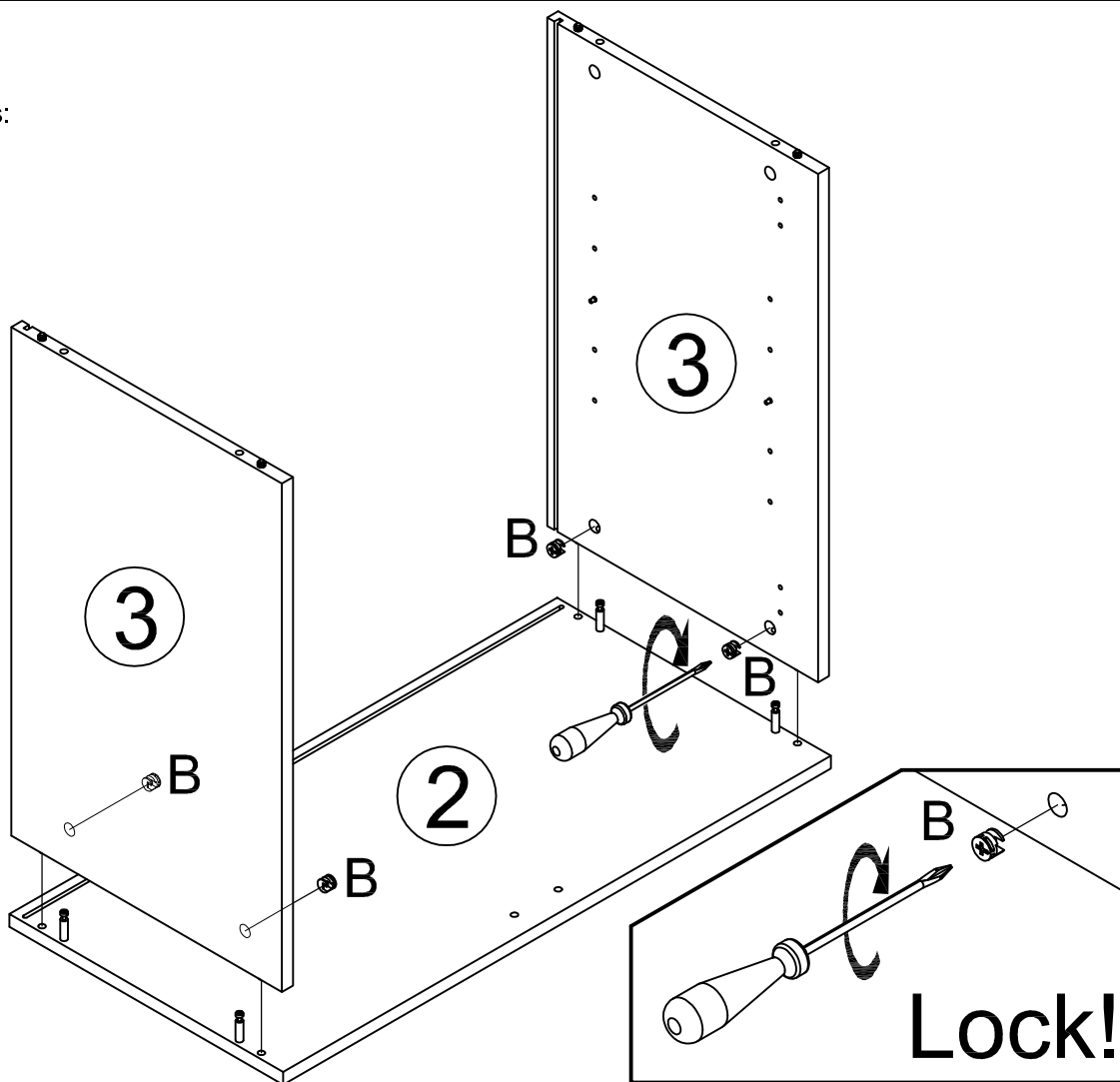


Step 4

In this step use these fittings:

- Bx4**

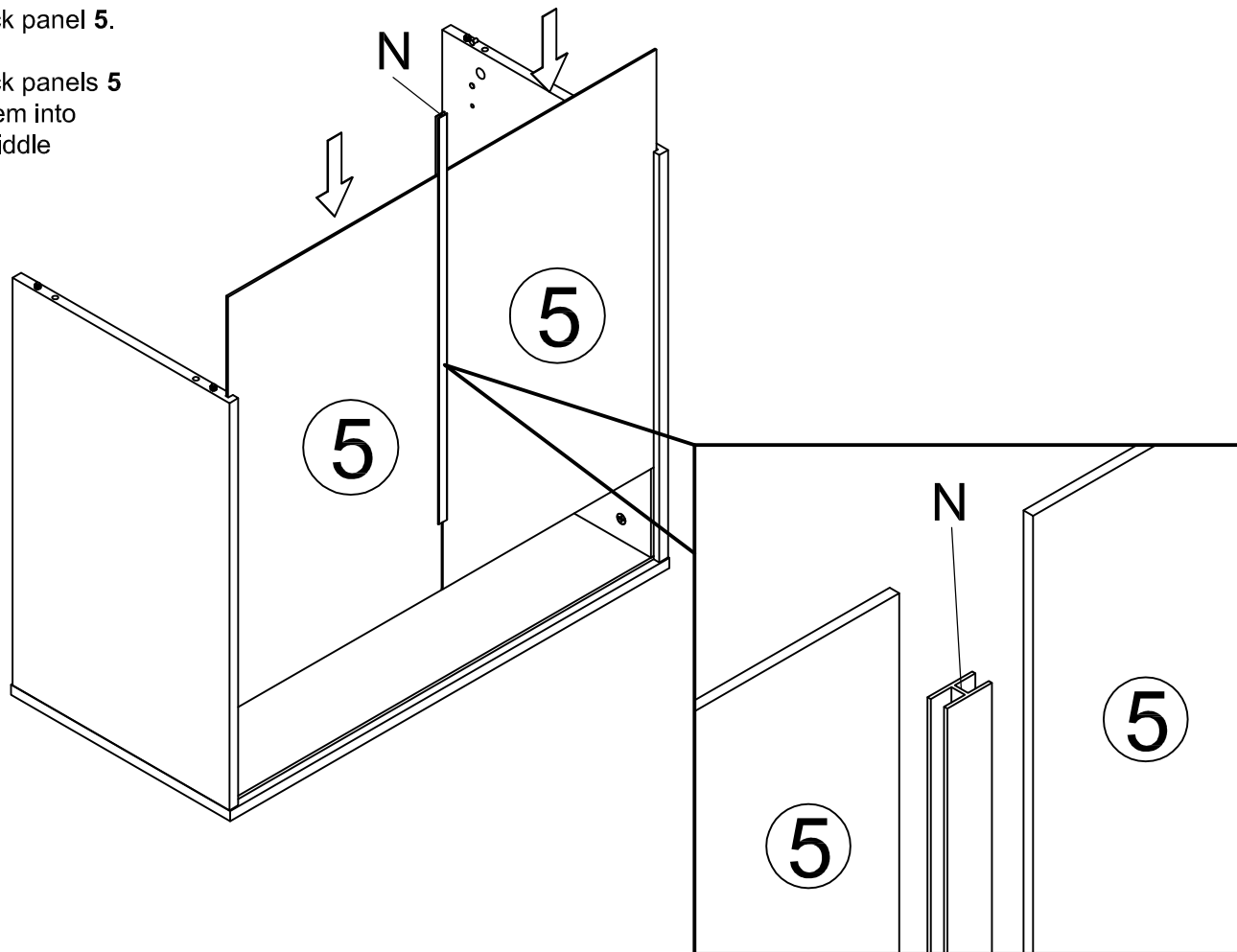
Assemble sides **3**.
Push sides **3** and base **2** together and insert locking nut **B**. Lock using Phillips head screwdriver.



Step 5

Assemble back panel 5.

Assemble back panels 5 by pushing them into groove and middle support N.



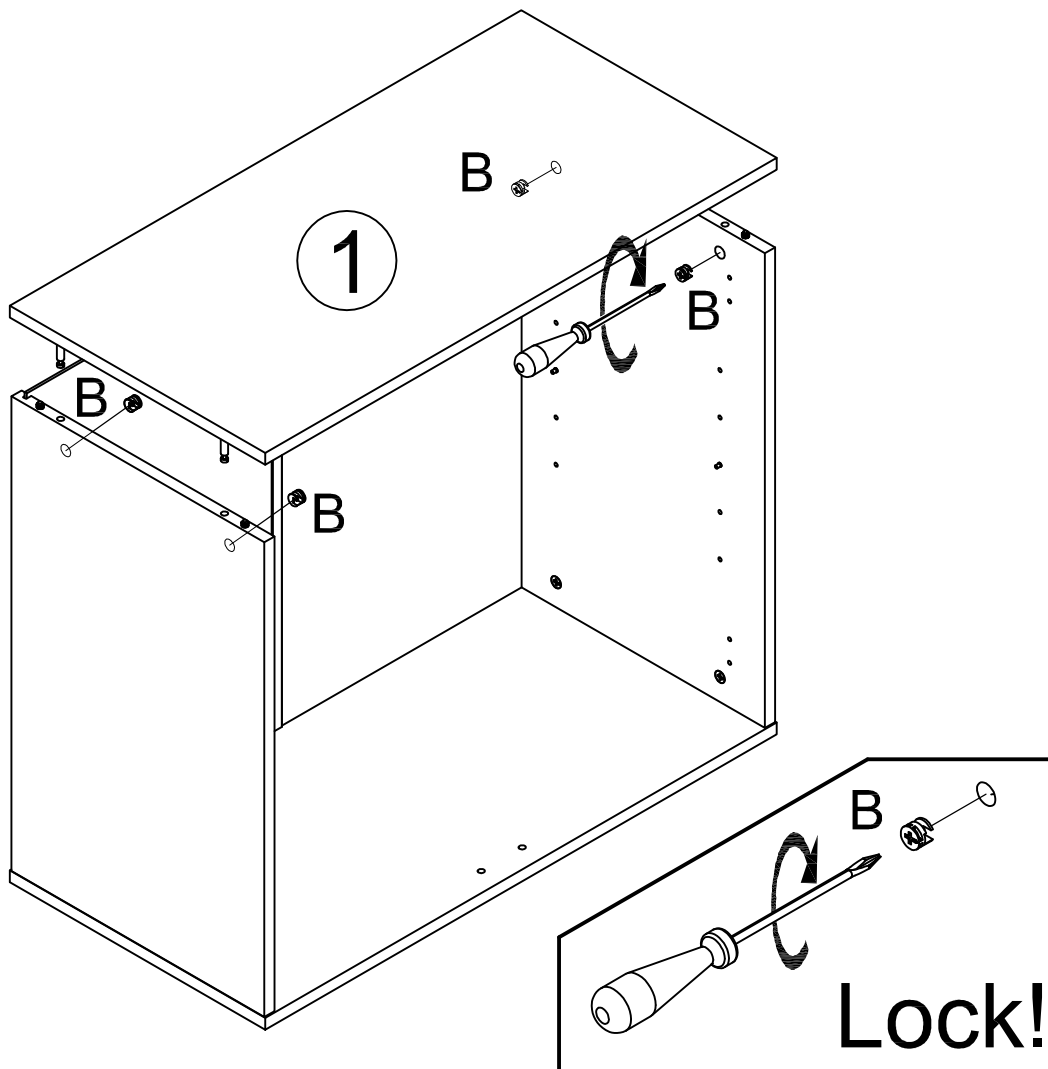
Step 6

In this step use these fittings:

Bx4

Assemble top 1.

Push sides 3 and top 1 together and fasten with connecting bolts B. Lock using Phillips head screwdriver.

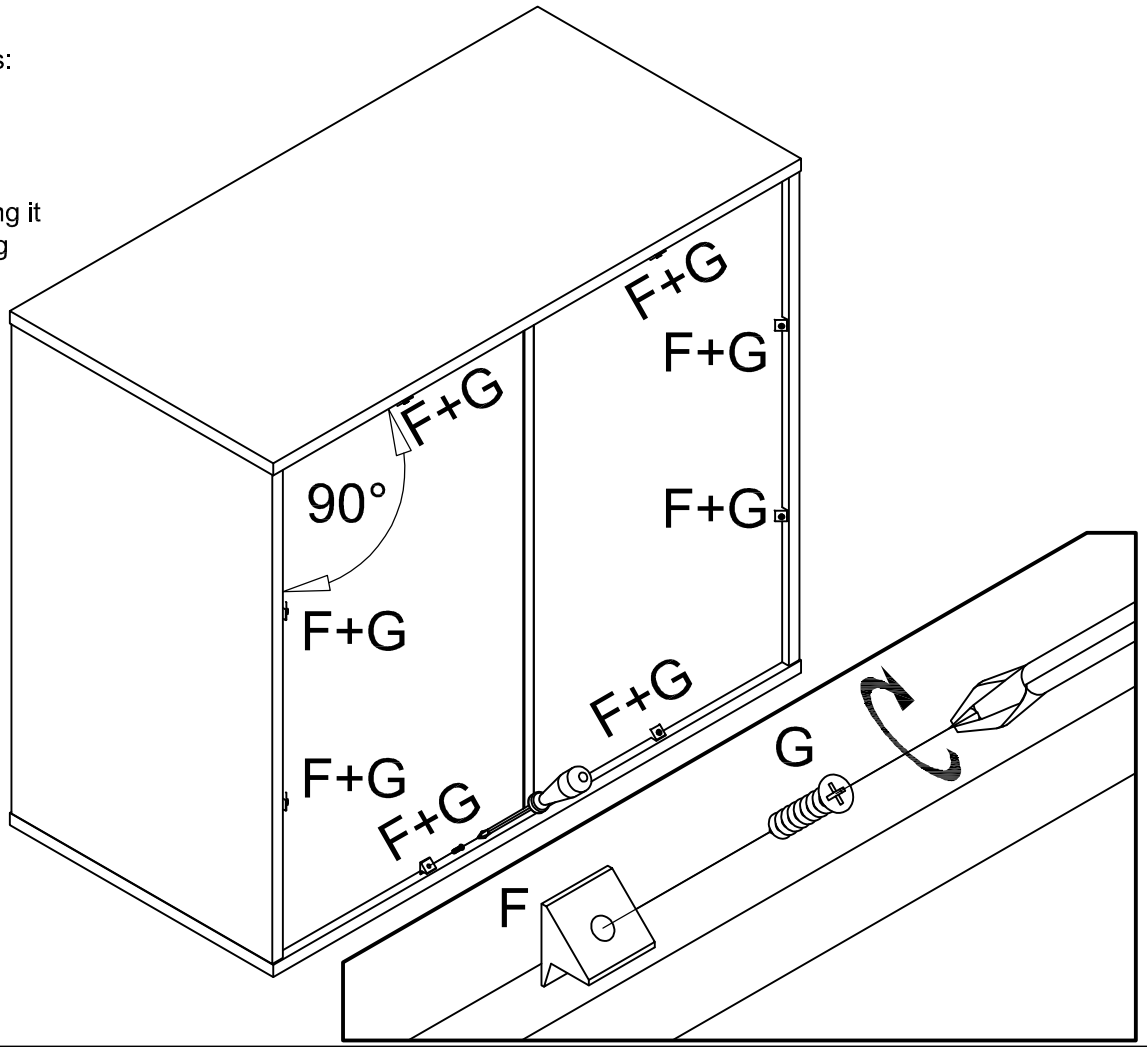


Step 7

In this step use these fittings:

- Fx8**
- Gx8**

Fasten back panel **5** by fixing it with fixing fittings **F+G** using Phillips head scredriver.

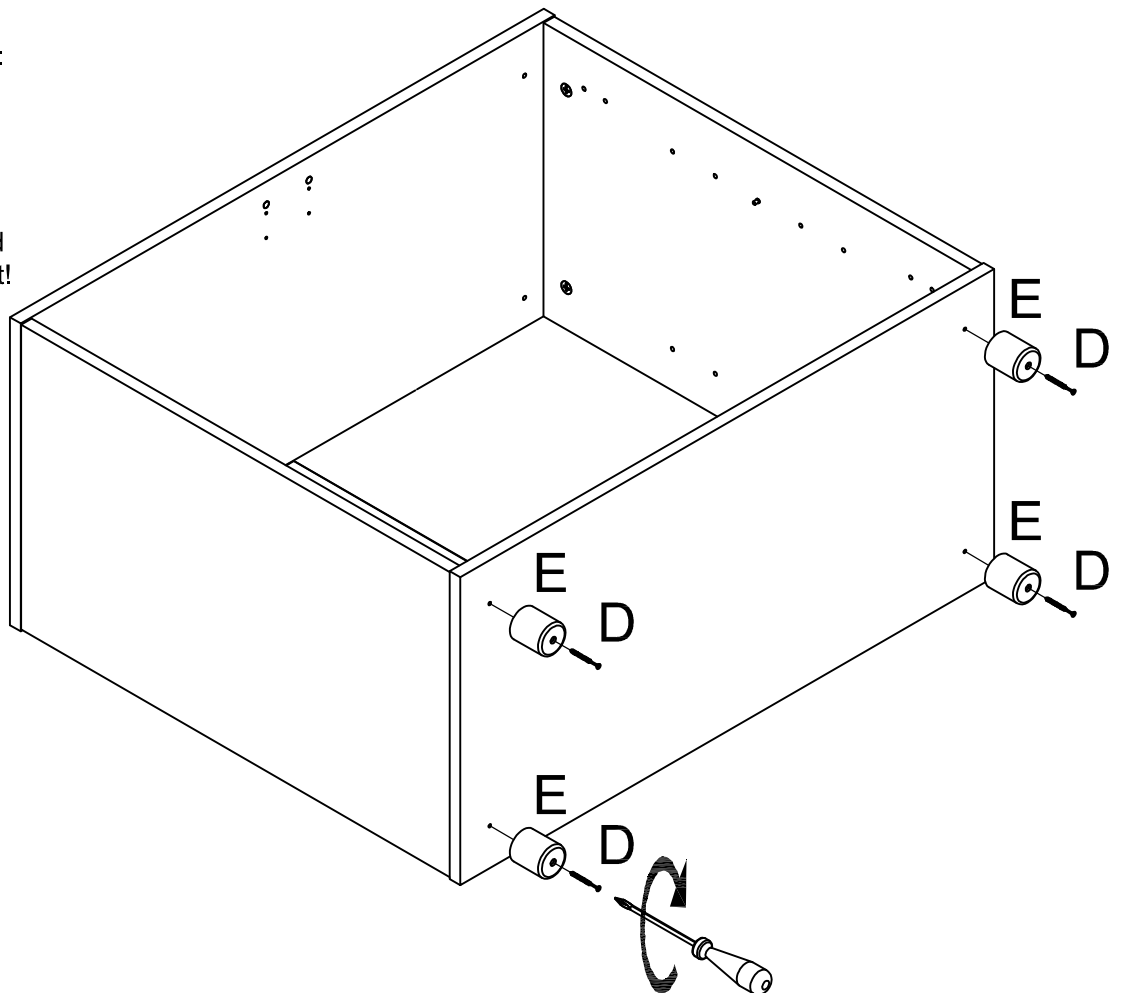


Step 8

In this step use these fittings:

- Dx4**
- Ex4**

Assemble legs **E**.
Screw legs **E** into place with screws **D** using Phillips head screwdriver. Do not overtight!



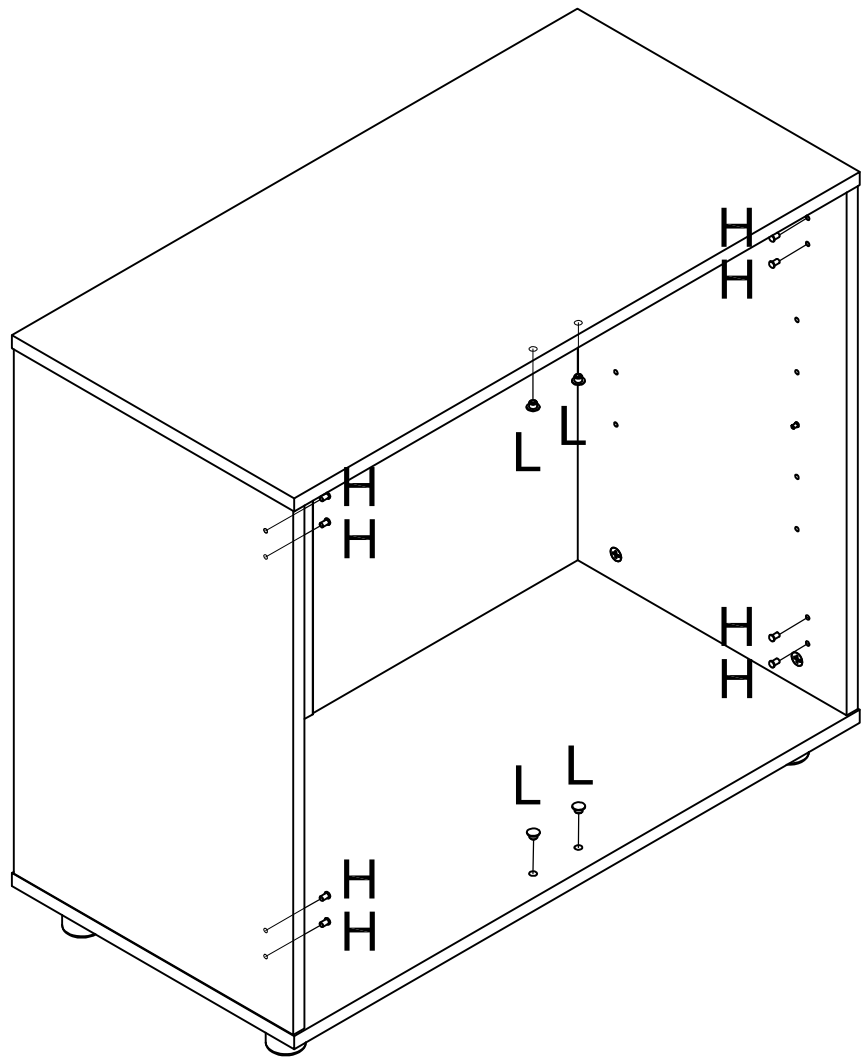
Step 9

In this step use these fittings:

Hx8

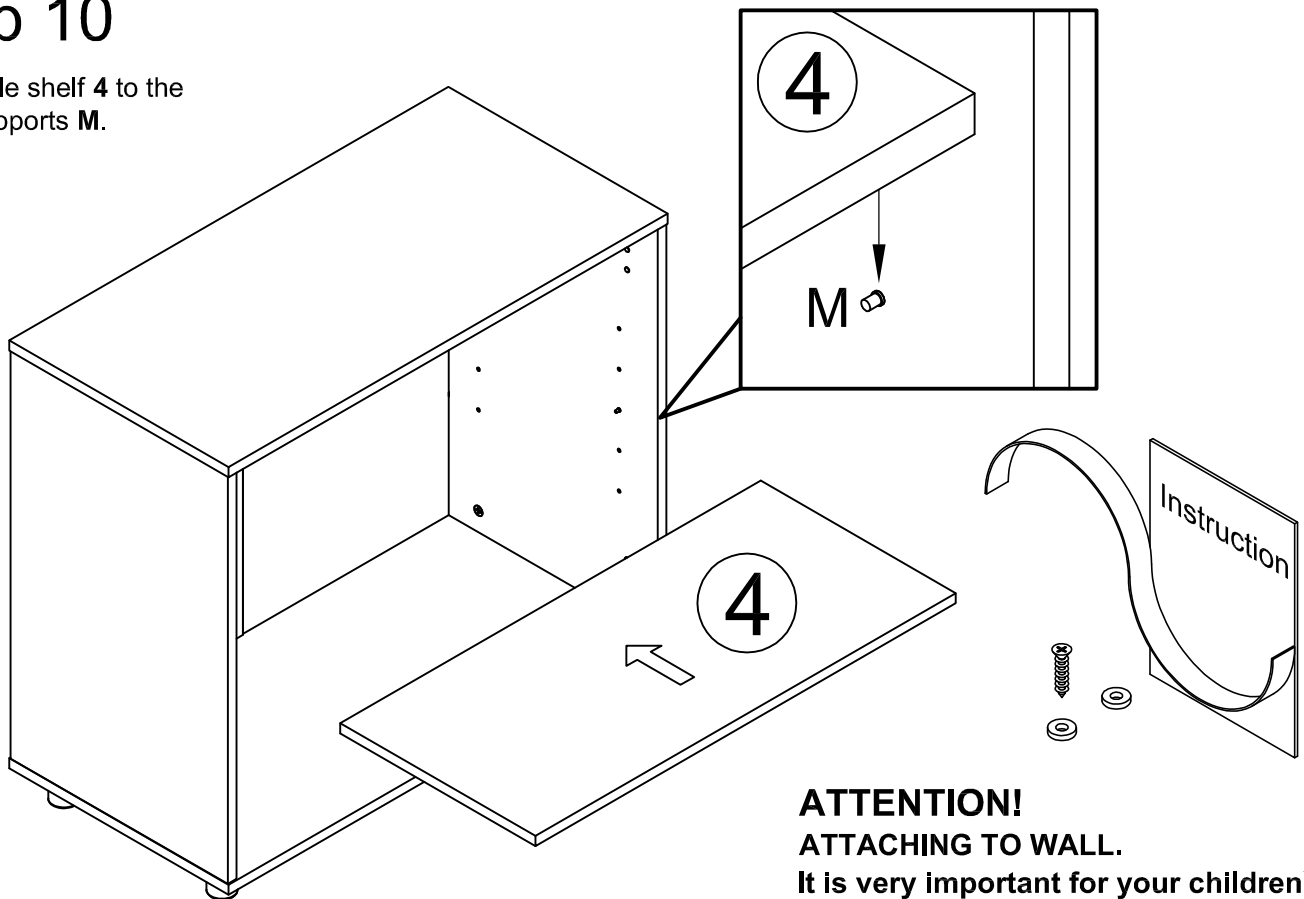
Lx4

Cover the unused holes on top **1** and base **2** using the cover cap **L**.
Cover the unused holes on sides **3** using the cover cap **H**.



Step 10

Assemble shelf **4** to the shelf supports **M**.



ATTENTION!
ATTACHING TO WALL.
It is very important for your children's safety that you follow the instruction within the bag with safety strap.

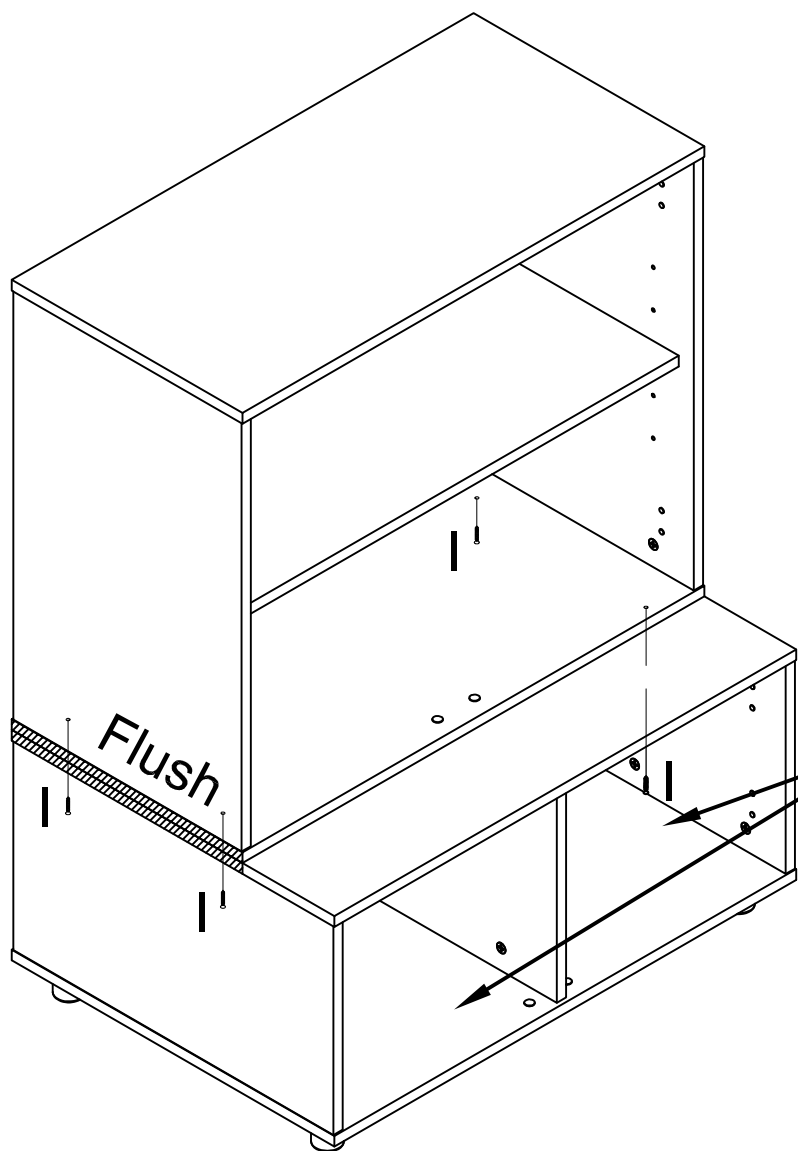
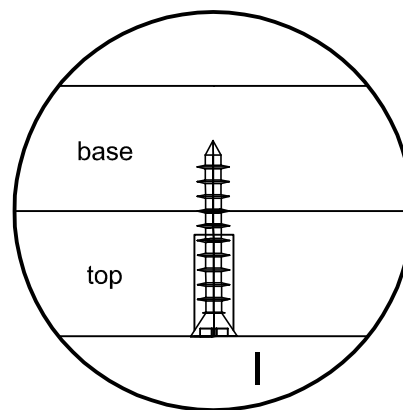
Step 11 (optional)

In this step use these fittings:

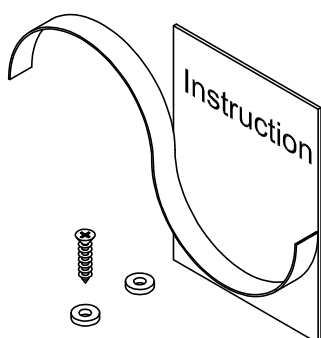
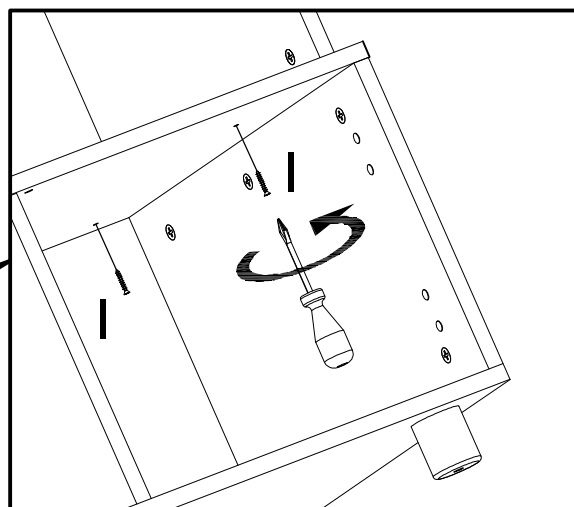
1x4

Stacking Bookcase on top of Deep 2 Cube Base Unit.

If you wish to place Bookcase on top of Deep 2 Cube Base Unit should make sure that side edges are flush.



Place screw I in the predrilled holes in the top front and rear in both ends and tighten with a screwdriver.



ATTENTION!

ATTACHING TO WALL.

IF YOU ARE STACKING UNITS ON TOP OF EACH OTHER IT IS ESSENTIAL FOR YOUR CHILDREN'S SAFETY THAT YOU FOLLOW THE INSTRUCTIONS IN THE BAG WITH THE SAFETY STRAP.

Customer Notice

Dear Customer,

Congratulations on the recent purchase of your furniture!

Customer Service:

For missing or spare parts requests please contact us Monday to Friday – 10am to 3pm in one of the following ways:

Phone: 0844 8008475

Email: spares@stompa.com

Please inform: product, colour, where did you buy it, part no, quantity and reason for request. We need your full name, address and telephone number.

Fax: Please complete the enclosed Service Form and fax to 0560 1132071

By post: Please complete the enclosed Service Form and post to:

Nordika Design Ltd t/a Stompa
High Rigg
Panorama Drive
Ilkley, LS29 9RA

We will do our utmost to supply spare parts within 7-10 working days of receipt of request.

Our quality control team has ensured a high quality product that we are sure you will be pleased with. All our furniture is produced from solid wood which contains knots and may have surface defects which are a feature of a natural product.

Customer Service Form

Please return complete to

Fax: 0560 1132071

Name: _____

Address: _____

Contact No: _____

Date of purchase: _____

Place of purchase: _____

Product Name: _____

See assembly instructions

Problem _____

Parts Needed:	<u>Part No.</u>	<u>Quantity</u>	Description
Please quote assembly instruction letter or number	_____	_____	e.g drawer base
	_____	_____	_____
	_____	_____	_____
	_____	_____	_____
	_____	_____	_____