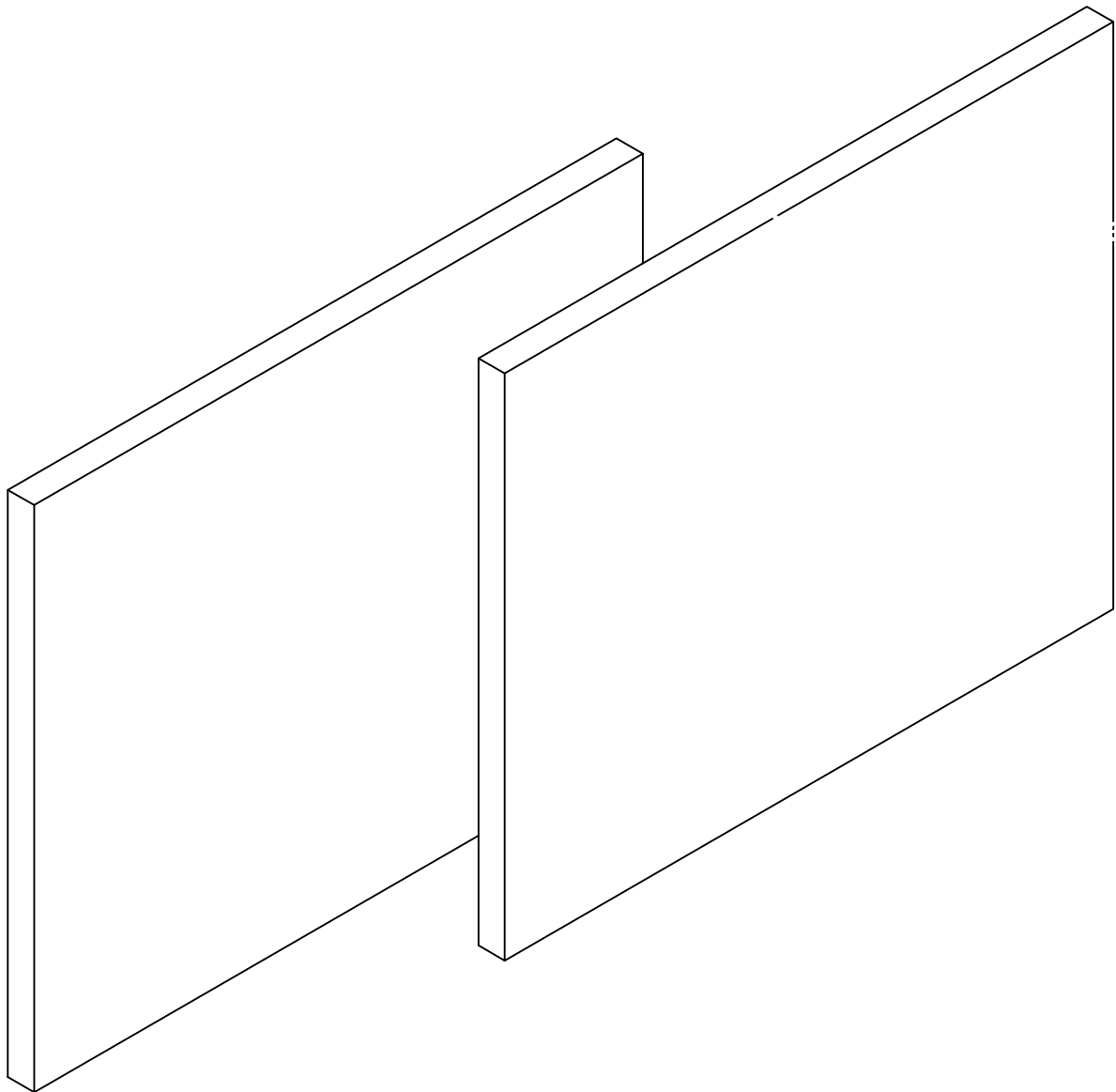


Assembly instructions - please keep for future reference

W1080-02 Duo White Doors
W1080-25 Duo Blue Doors
W1080-26 Duo Pink Doors
W1080-27 Duo Purple Doors
W1080-28 Duo Grey Doors



Dimensions

Width- 37 cm
Depth- 1,6 cm
Height- 30,9 cm

Important- Please read these instructions fully before starting assembly

If you need help or have damaged or missing parts, call the **Customers Helpline:** 0844 8008475



Safe and Care Advice

Important - Please read these instructions fully before starting assembly

- Check you have all the components and tools listed

- Remove all fittings from the plastic bags and separate them into their groups.

- Keep children and animals away from the work area, small parts could choke if swallowed.

- Make sure you have enough space to lay out the parts before starting.

- Do not stand or put weight on the product, this could cause damage.

- Assemble the item as close to its final position (in the same room) as possible.

- Assemble on a soft level surface to avoid damaging the unit or your floor.

- Parts of the assembly will be easier with 2 people.



- We do not recommend the use of power drills/drivers **for inserting screws**,

as this could damage the unit. Only use hand screwdrivers.

- Dispose all packaging carefully and responsibly.

Glue safety - Take care when using glue, please follow the advice below

Skin contact: Remove contamination by washing with soap and water. This procedure should also be followed prior to eating and drinking.

Eye contact: Rinse immediately with clean water for 15 minutes and seek medical advice.

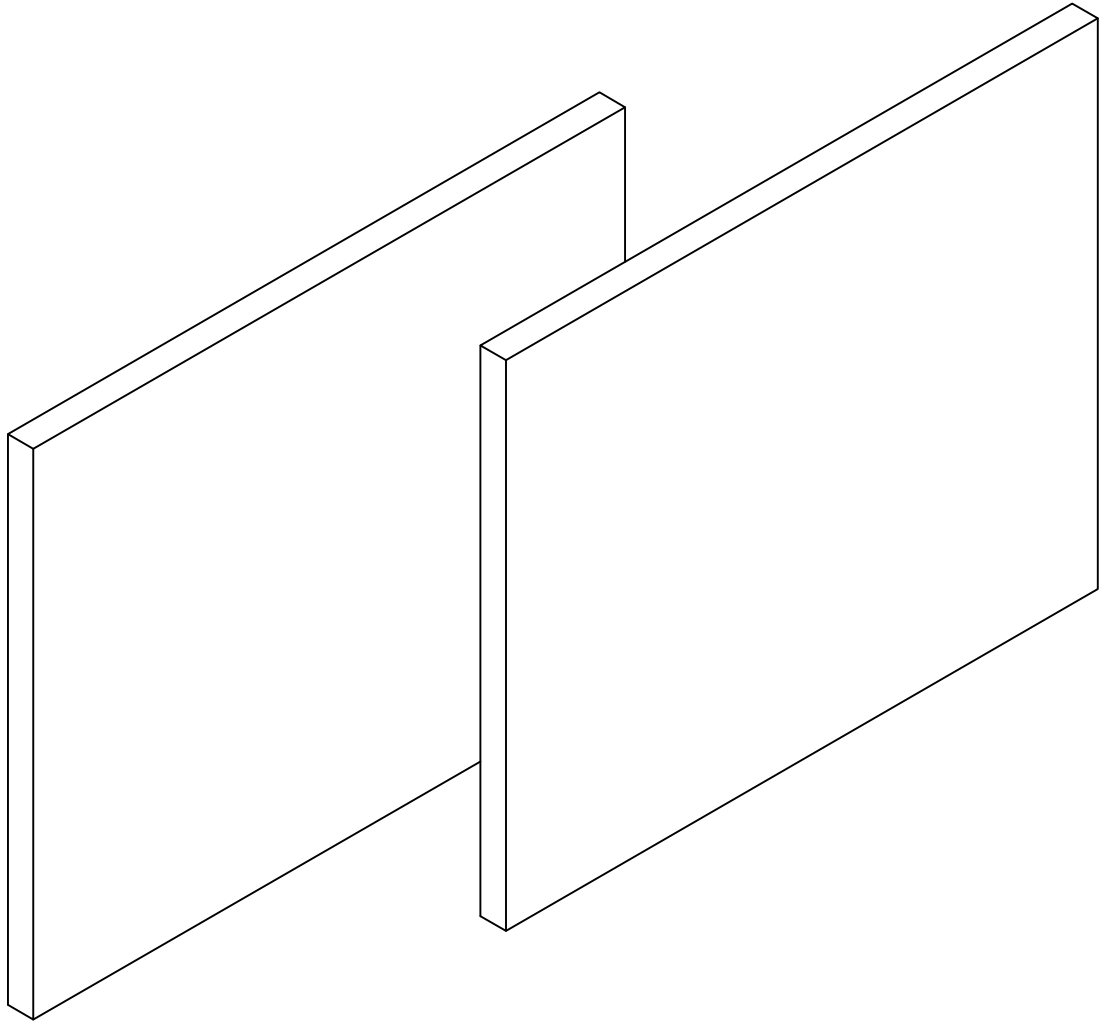
If swallowed: Seek medical advice immediately.

Care and maintenance

- Only clean using a damp cloth and mild detergent, do not use bleach or abrasive cleaners.

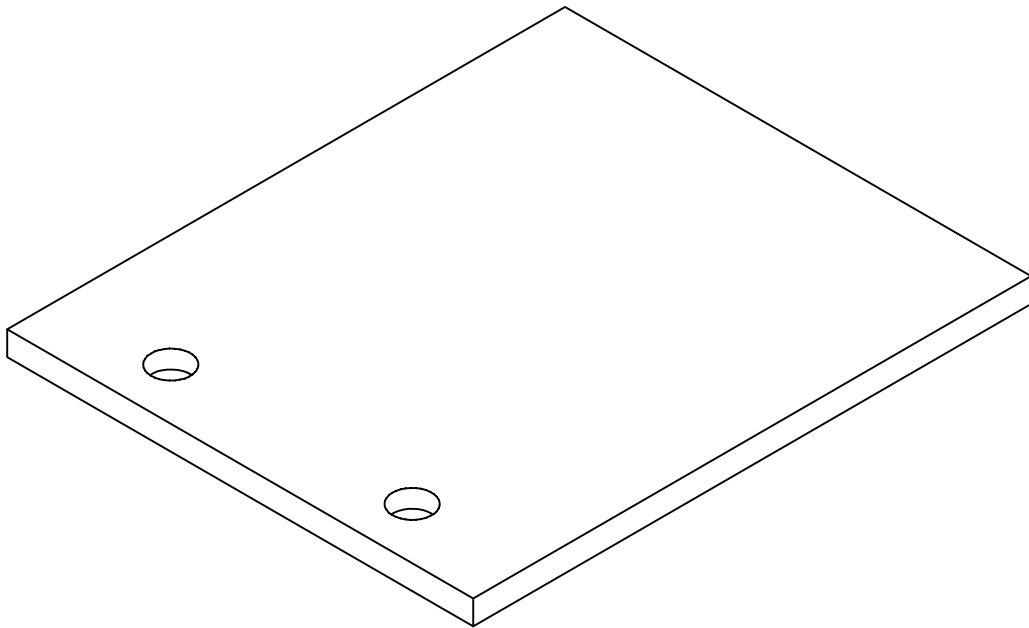
- From time to time check that there are no loose screws on this unit.

- This product should not be discarded with household waste. Take to your local authority waste disposal centre.

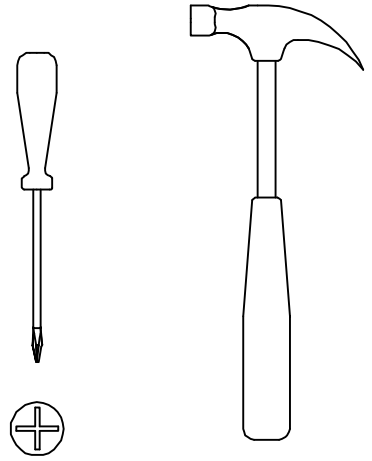
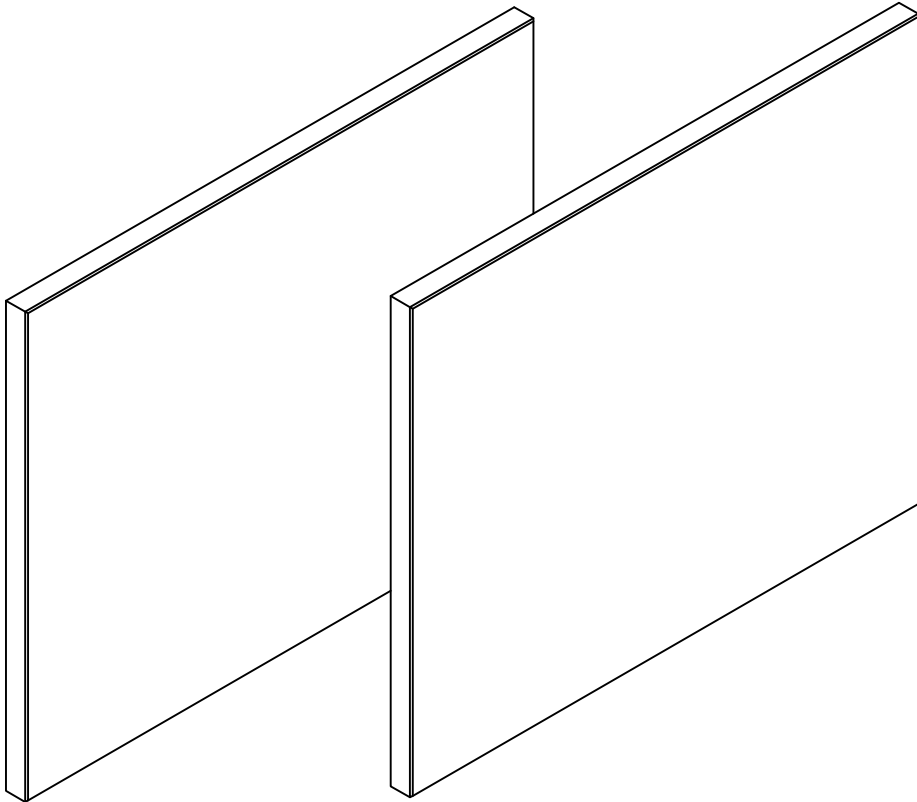


Components- Panels

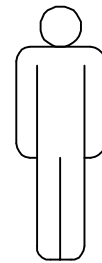
Please check that you have the panels listed below



1 Door x2
(30,9x37x1,6 cm)

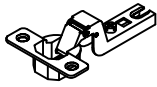

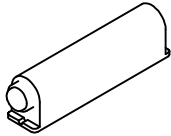
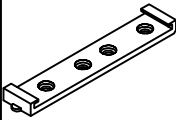




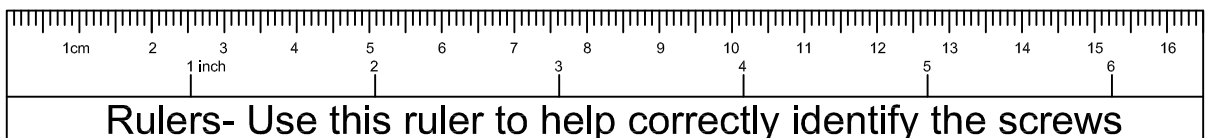
Tools that are needed



Components- Fittings

Please check that you have the fittings listed below

 <p>B</p> <p>4x</p>	 <p>C</p> <p>4x</p>	 <p>D</p> <p>2x</p>	 <p>E</p> <p>4x20</p>	 <p>I</p> <p>3x12</p>	 <p>G</p> <p>3,5x12</p> <p>8x</p>
--	--	--	--	--	--



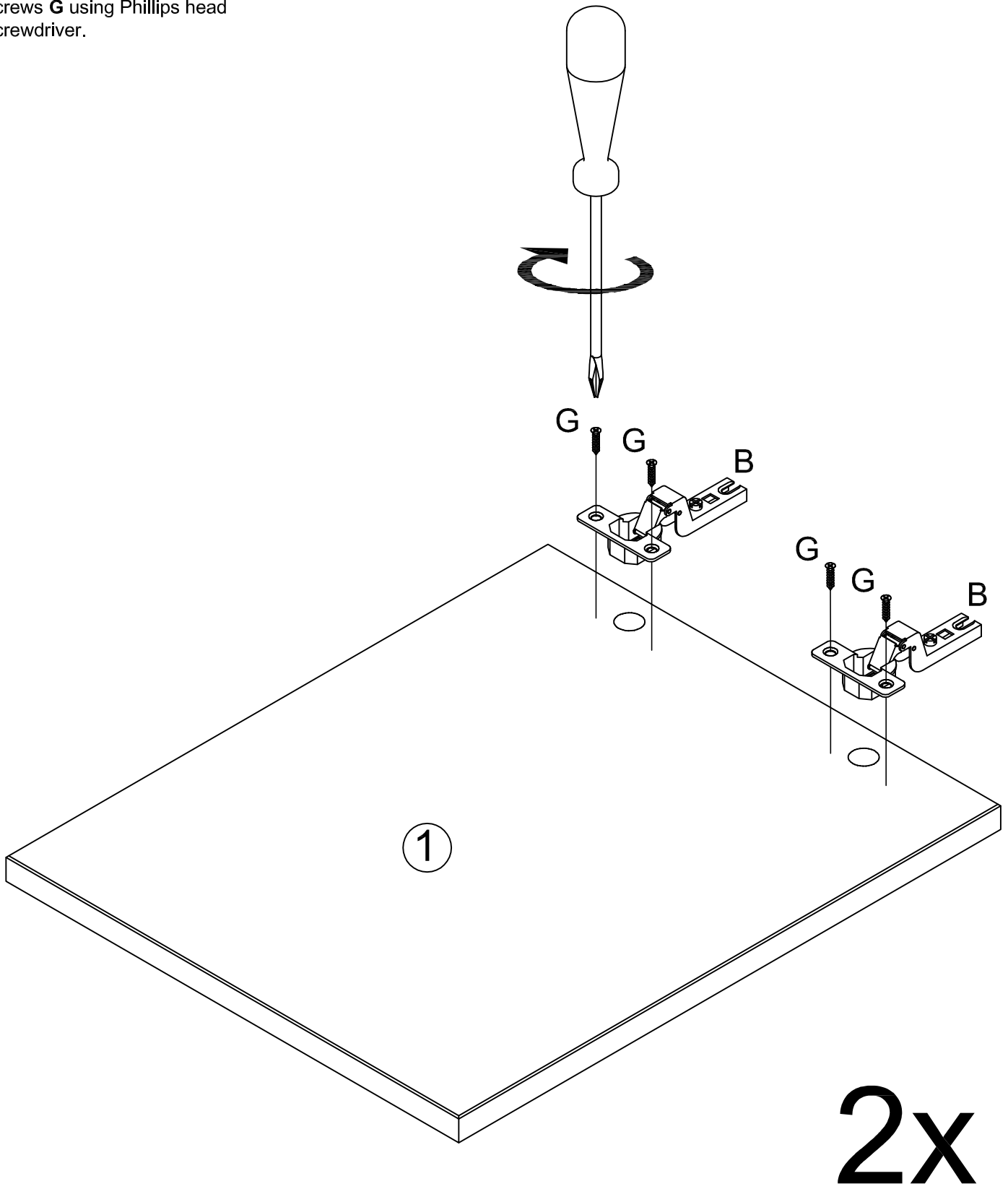
Step 1

In this step use these fittings:

Bx4

Gx8

Assemble hinges **B** with screws **G** using Phillips head screwdriver.



Step 2

Fitting doors to Duo 4 Multi Cube Unit

In this step use these fittings:

Cx4

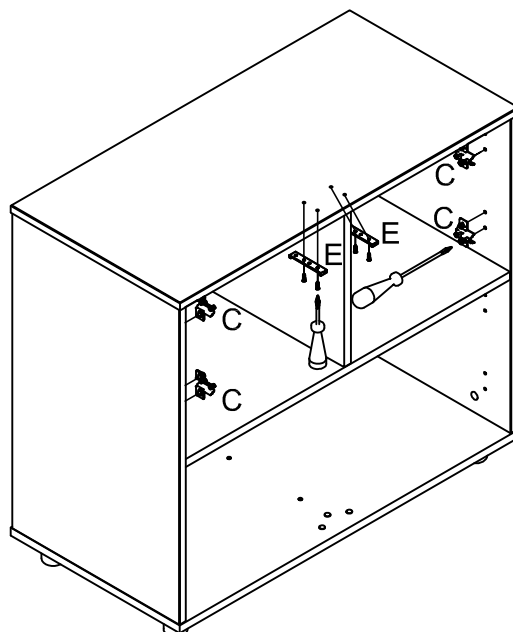
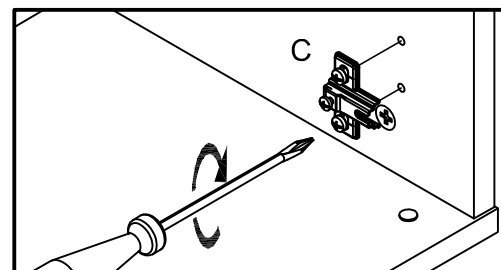
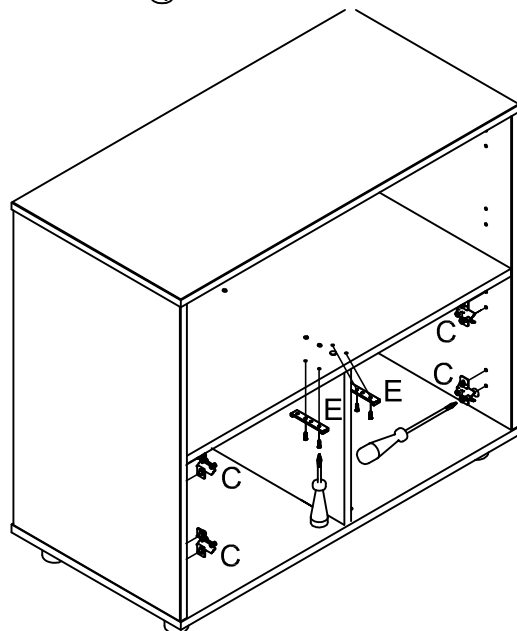
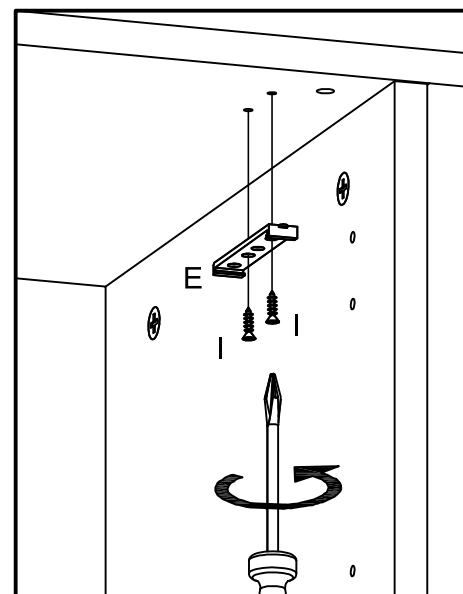
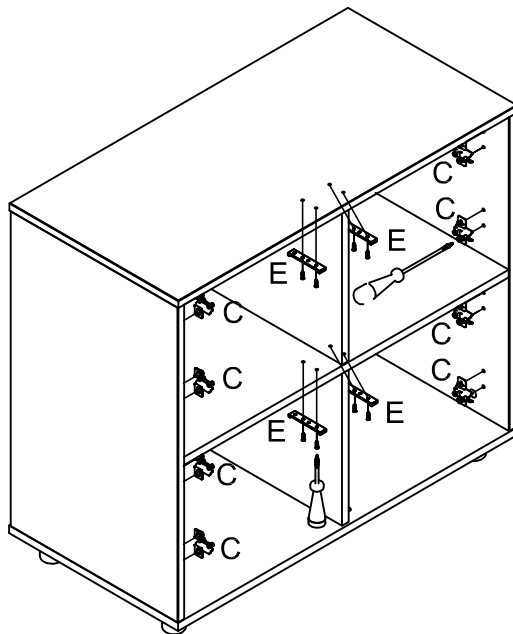
Ex2

Ix4

Place hinge supports **C** and fasten with Phillips head screwdriver.

Assemble door pushers base plate **E** with screws **I** using Phillips head screwdriver.

You should decide where to place the doors. The doors can be used in either of the 4 compartments.



Fitting doors to Duo Tall Wardrobe

In this step use these fittings:

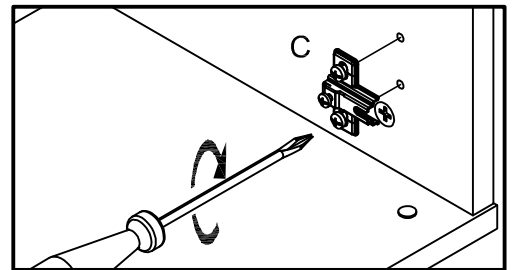
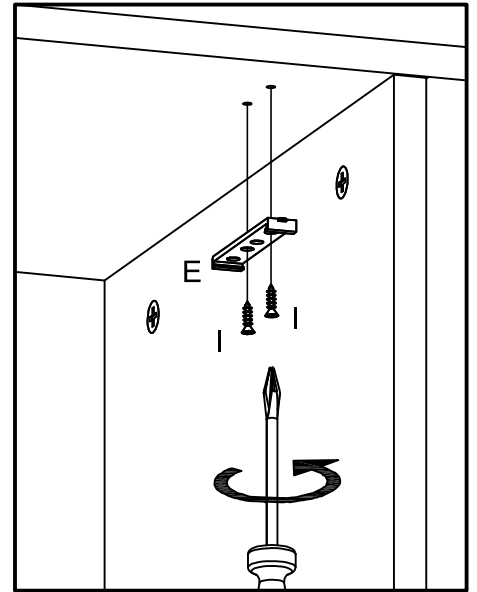
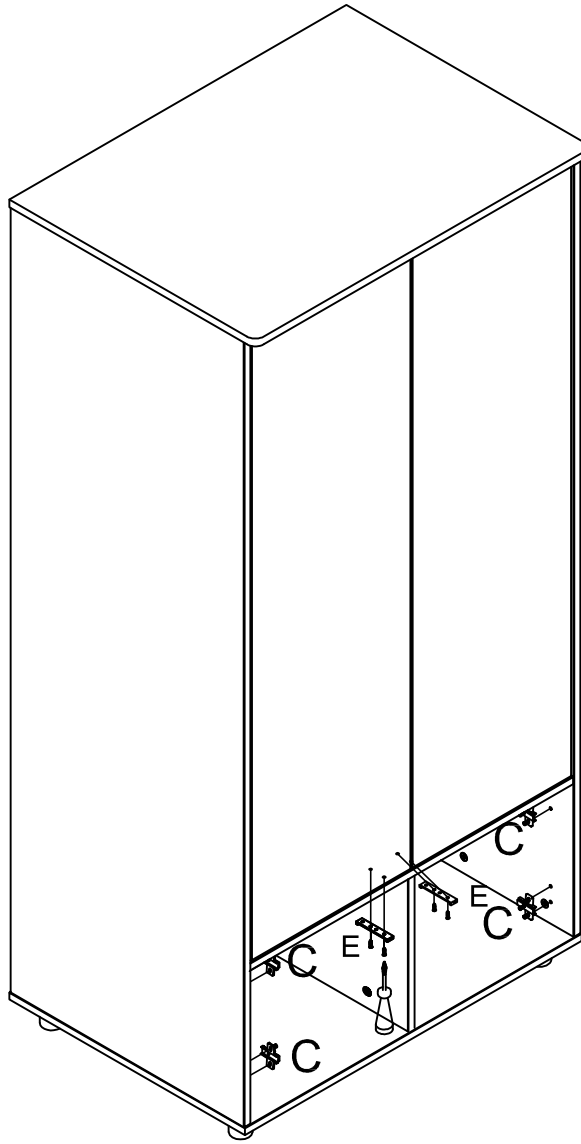
Cx4

Ex2

Ix4

Place hinge supports **C** and fasten with Phillips head screwdriver.

Assemble door pushers base plate **E** with screws **I** using Phillips head screwdriver.



Fitting doors to Duo 2 Cube Unit

In this step use these fittings:

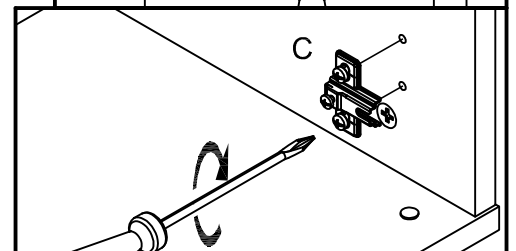
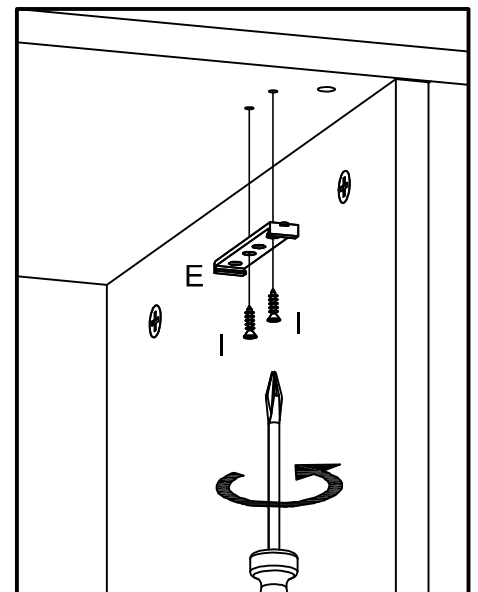
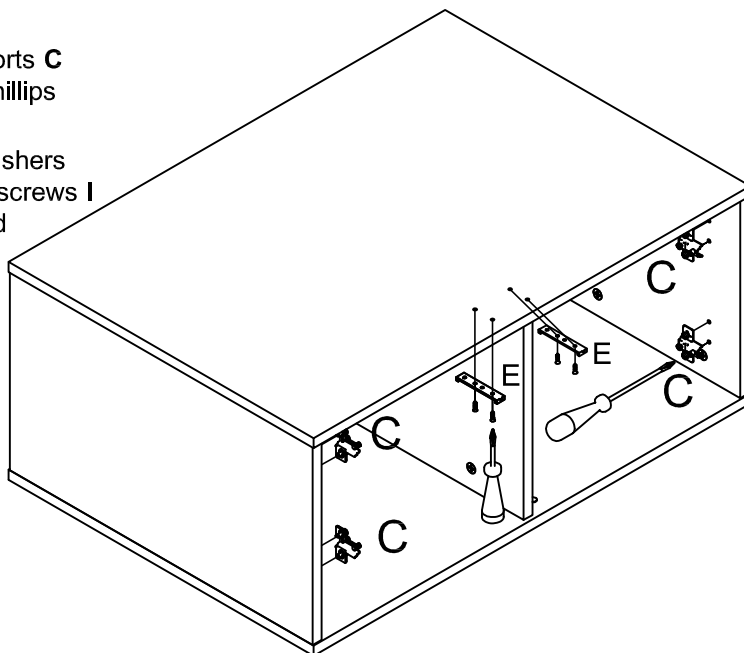
Cx4

Ex2

Ix4

Place hinge supports **C** and fasten with Phillips head screwdriver.

Assemble door pushers base plate **E** with screws **I** using Phillips head screwdriver.



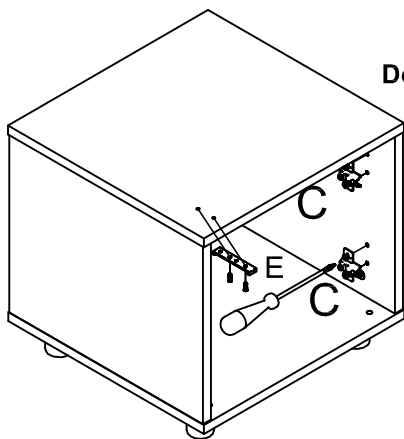
Fitting doors to Duo Single Cube Unit

In this step use these fittings:

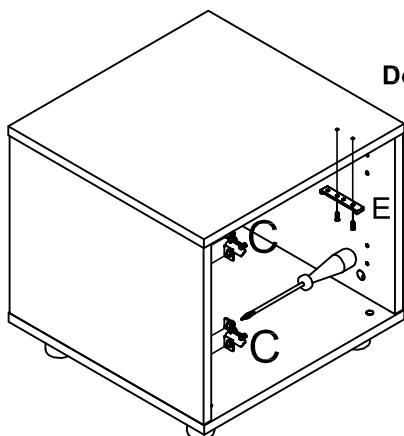
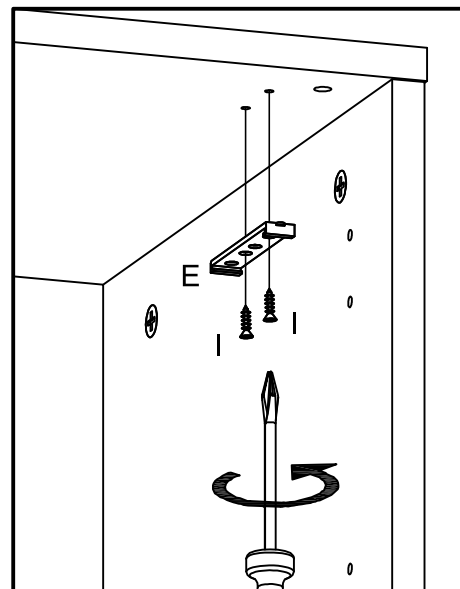
- Cx4**
- Ex2**
- Ix4**

Place hinge supports **C** and fasten with Phillips head screwdriver.

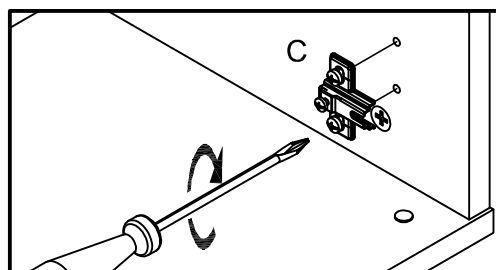
Assemble door pushers base plate **E** with screws **I** using Phillips head screwdriver.



Door open to right!



Door open to left!



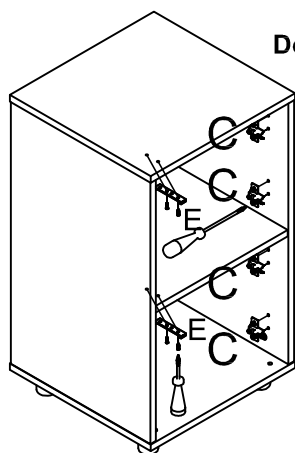
Fitting doors to Duo Double Cube vertical

In this step use these fittings:

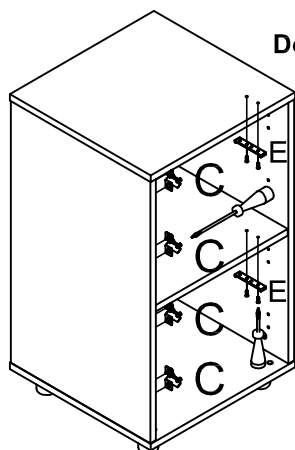
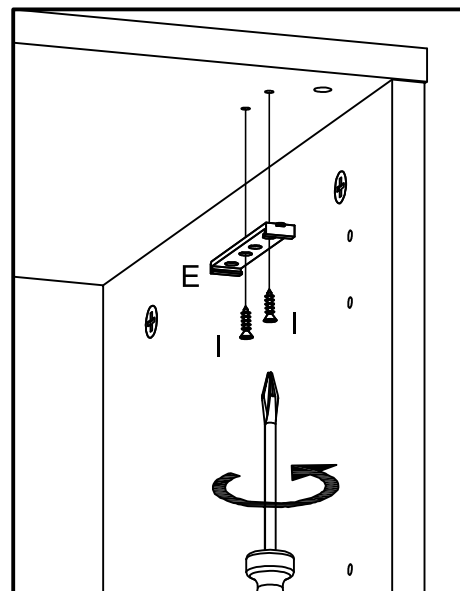
- Cx4**
- Ex2**
- Ix4**

Place hinge supports **C** and fasten with Phillips head screwdriver.

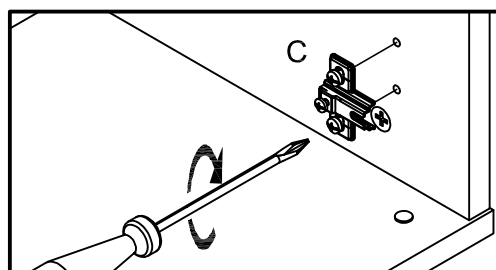
Assemble door pushers base plate **E** with screws **I** using Phillips head screwdriver.



Door open to right!



Door open to left!



In this step use these fittings:

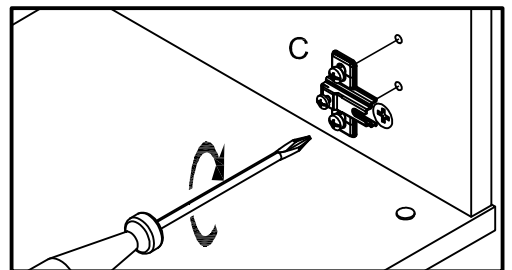
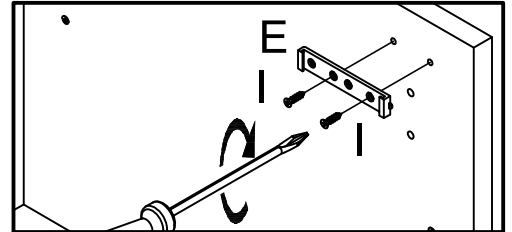
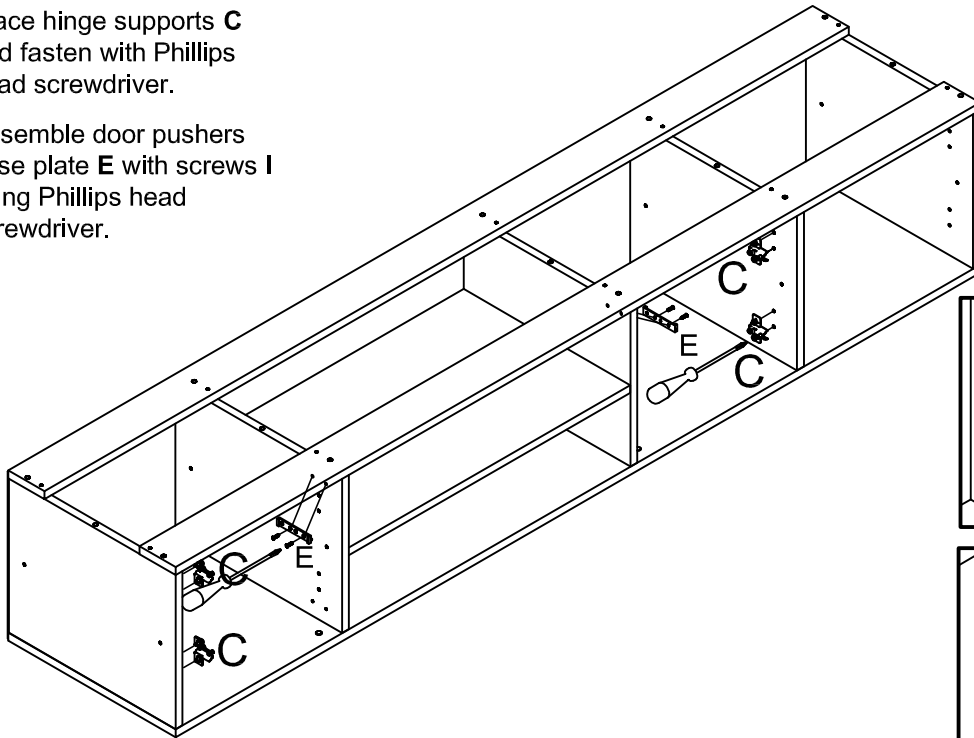
Cx4

Ex2

Ix4

Place hinge supports **C** and fasten with Phillips head screwdriver.

Assemble door pushers base plate **E** with screws **I** using Phillips head screwdriver.



In this step use these fittings:

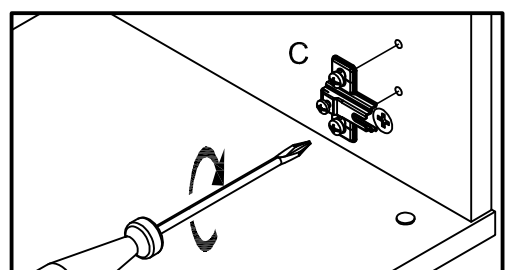
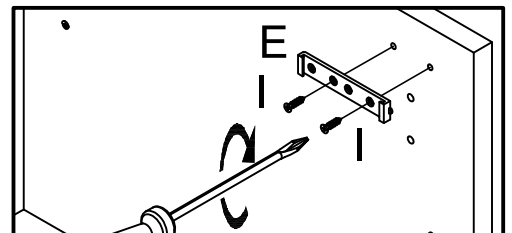
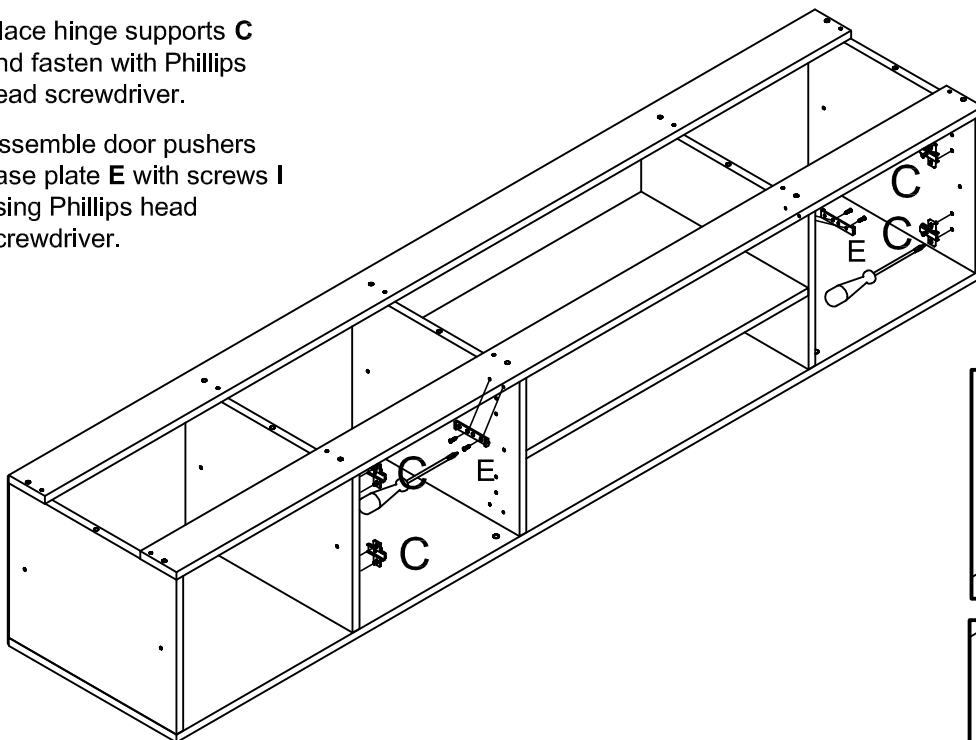
Cx4

Ex2

Ix4

Place hinge supports **C** and fasten with Phillips head screwdriver.

Assemble door pushers base plate **E** with screws **I** using Phillips head screwdriver.

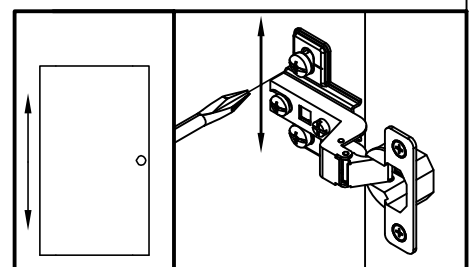
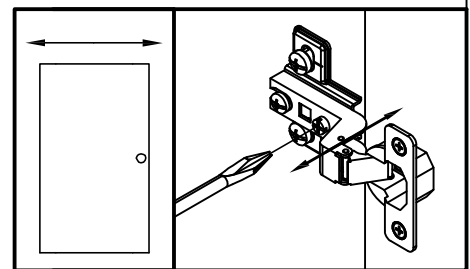
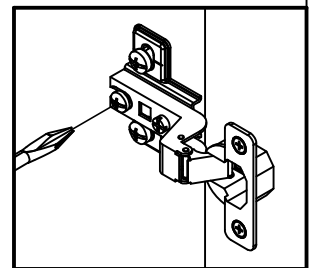
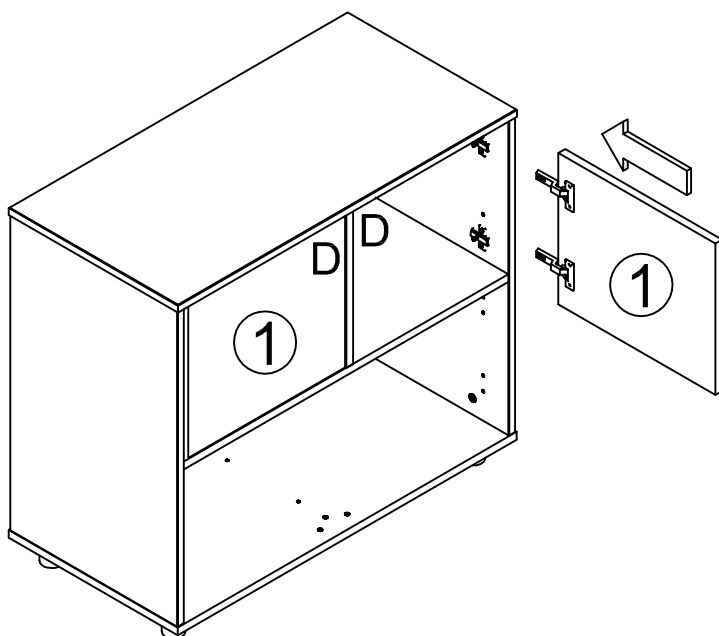
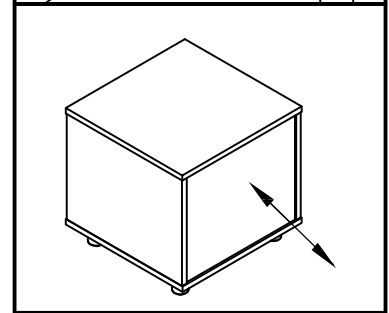
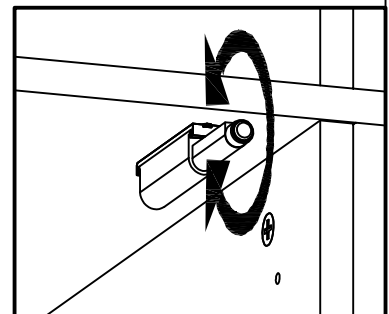
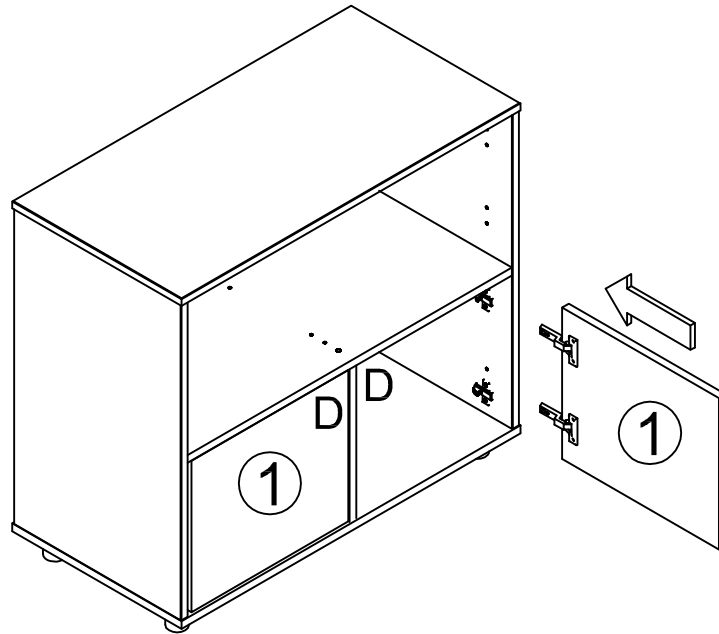
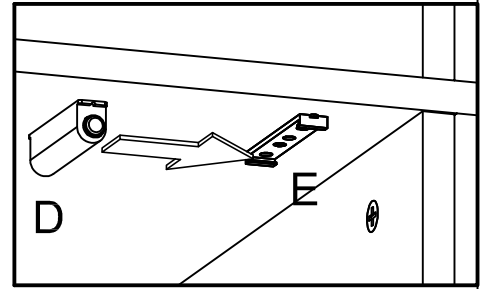
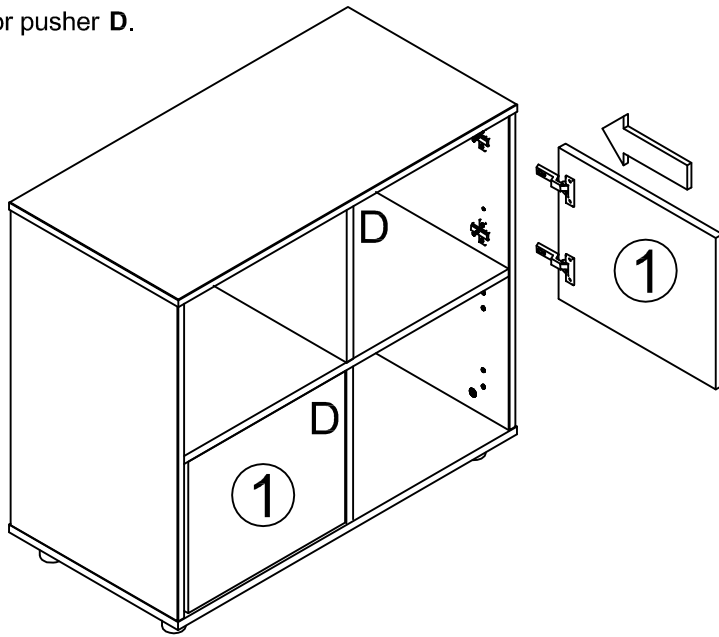


Step 3

Fitting doors to Duo 4 Multi Cube Unit

Assemble and adjust doors 1 using Phillips head screwdriver.

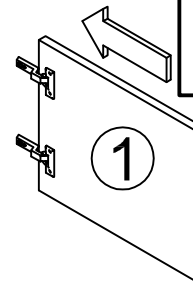
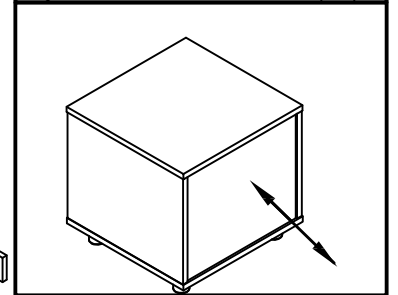
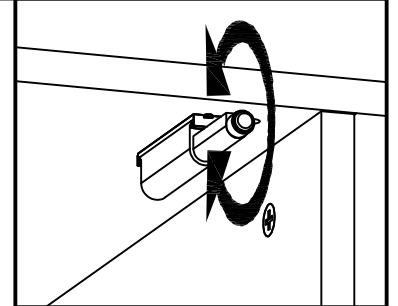
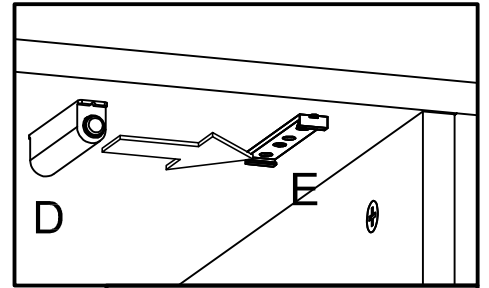
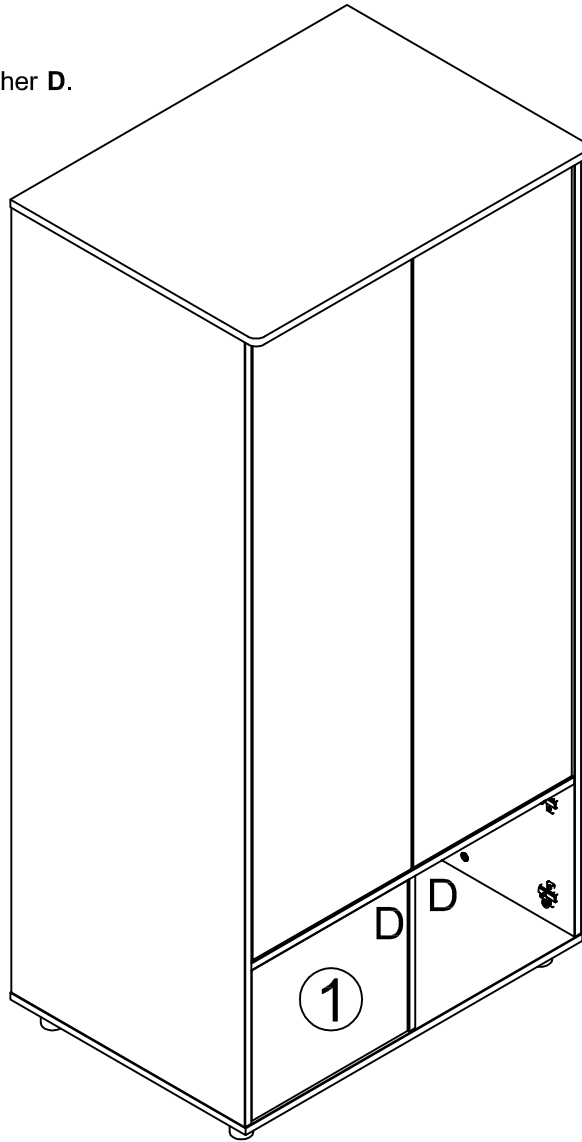
Assemble and adjust door pusher D.



Fitting doors to Duo Tall Wardrobe

Assemble and adjust doors 1 using Phillips head screwdriver.

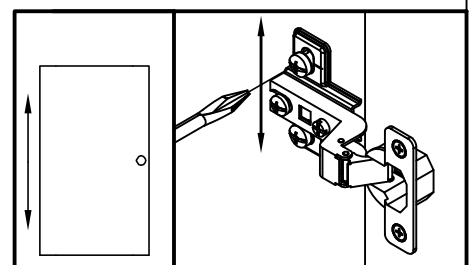
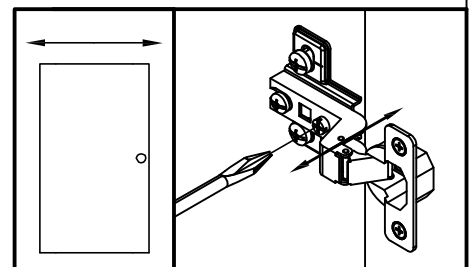
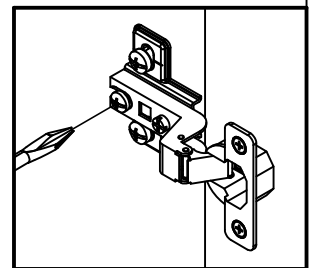
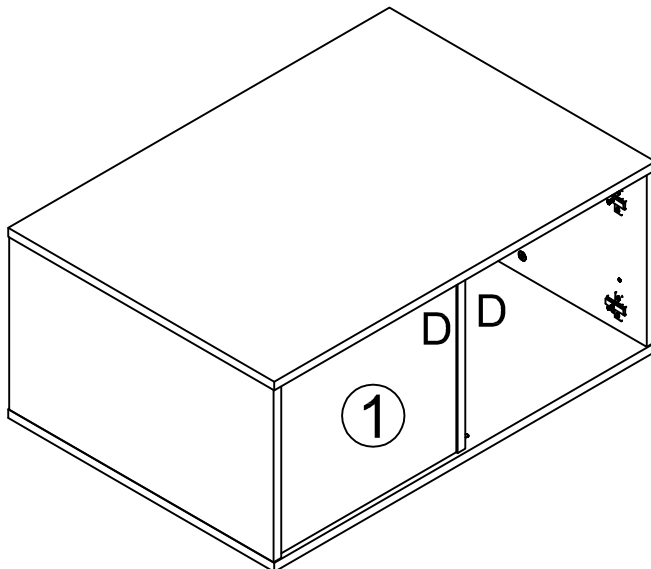
Assemble and adjust door pusher D.



Fitting doors to Duo 2 Cube Unit

Assemble and adjust doors 1 using Phillips head screwdriver.

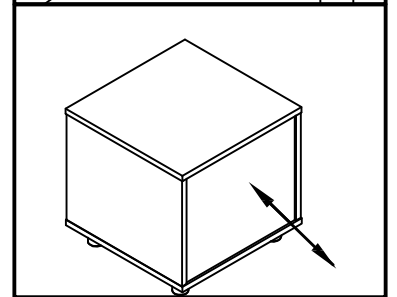
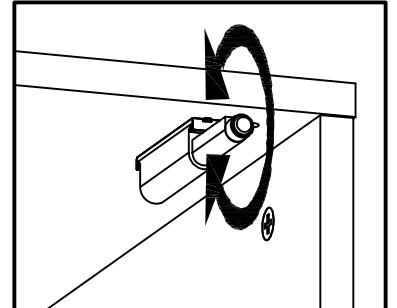
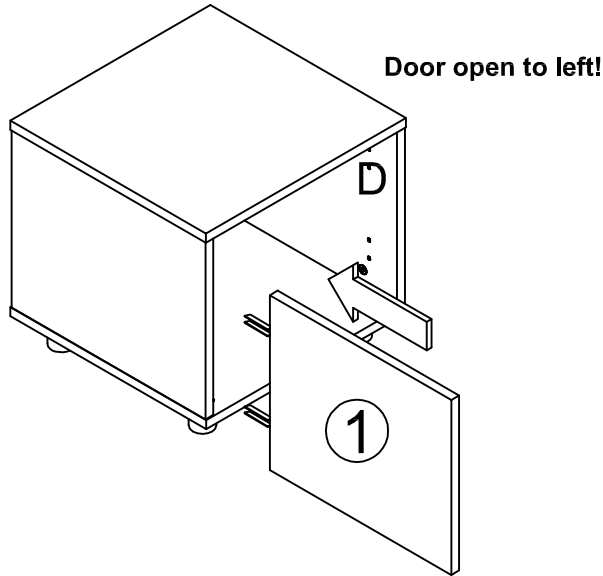
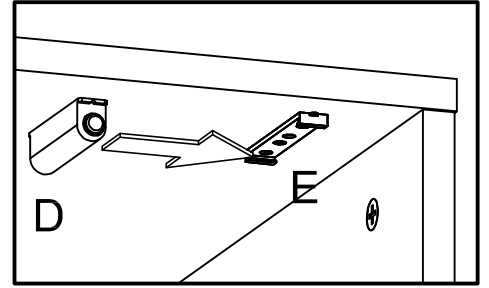
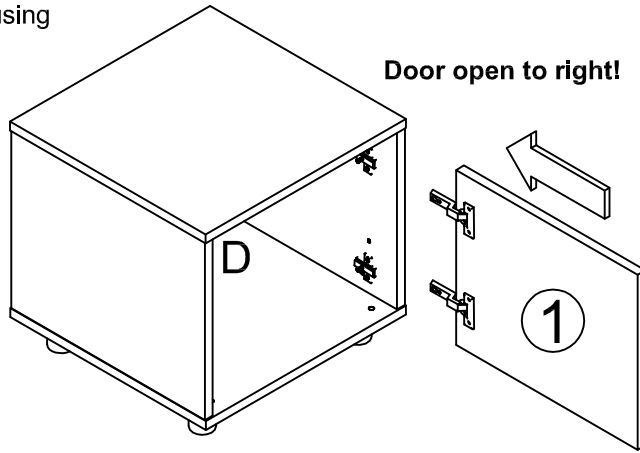
Assemble and adjust door pusher D.



Fitting doors to Duo Single Cube

Assemble and adjust doors 1 using Phillips head screwdriver.

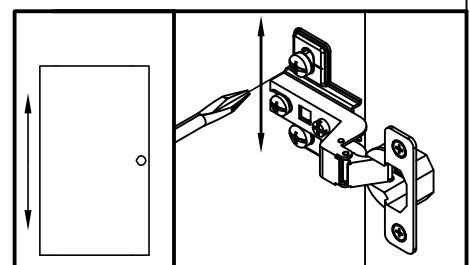
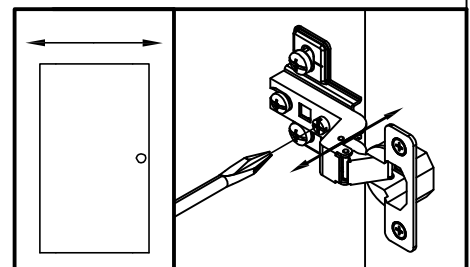
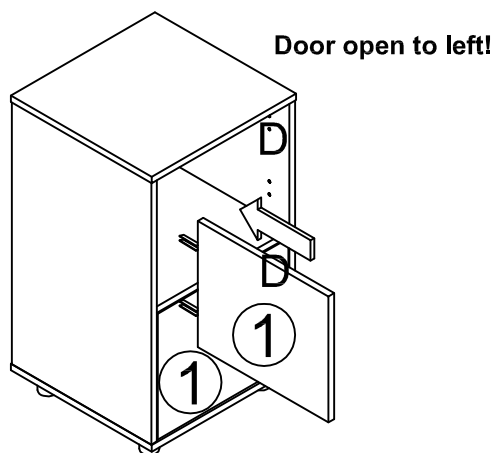
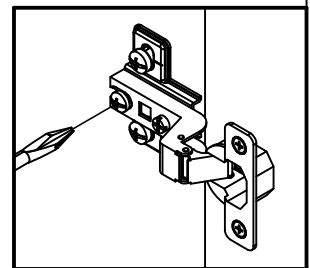
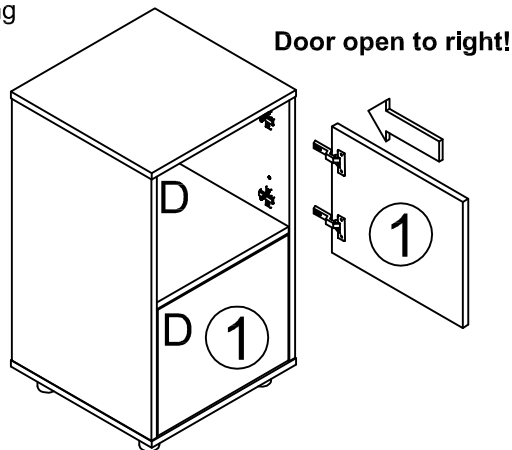
Assemble and adjust door pusher D.



Fitting doors to Duo Double Cube vertical

Assemble and adjust doors 1 using Phillips head screwdriver.

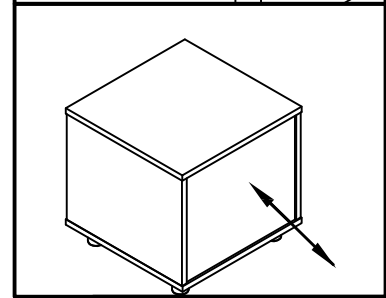
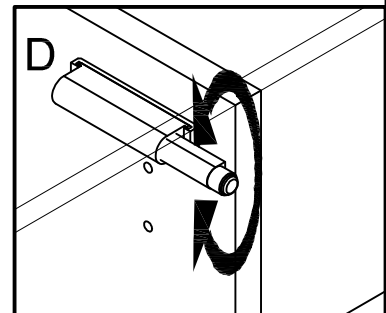
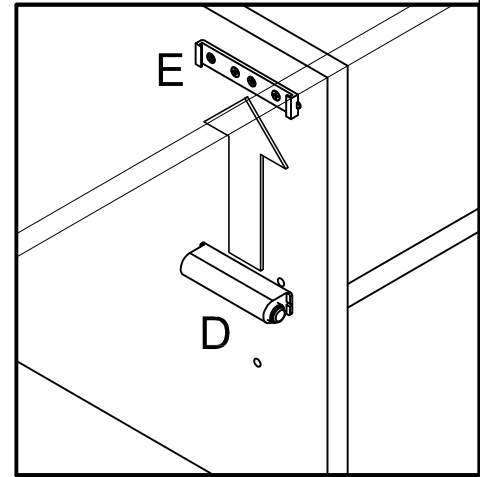
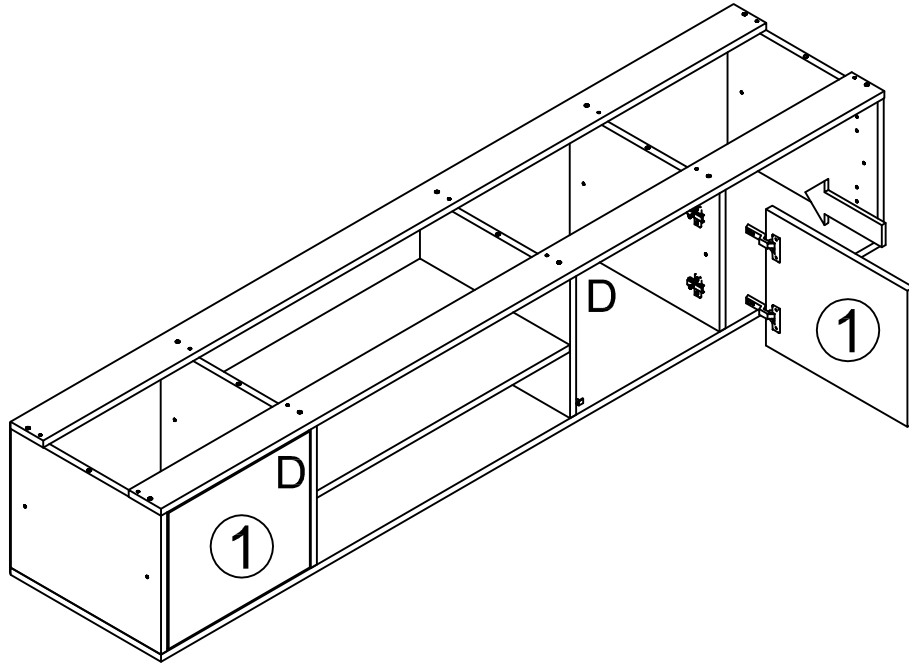
Assemble and adjust door pusher D.



Fitting doors to Duo Cabin Bed Storage Box

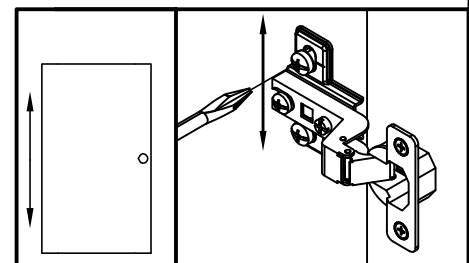
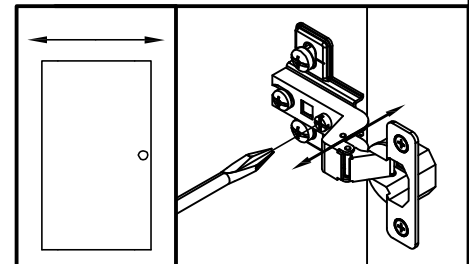
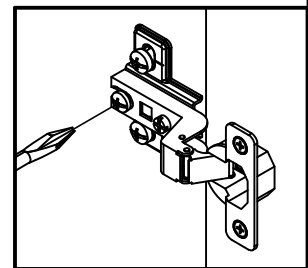
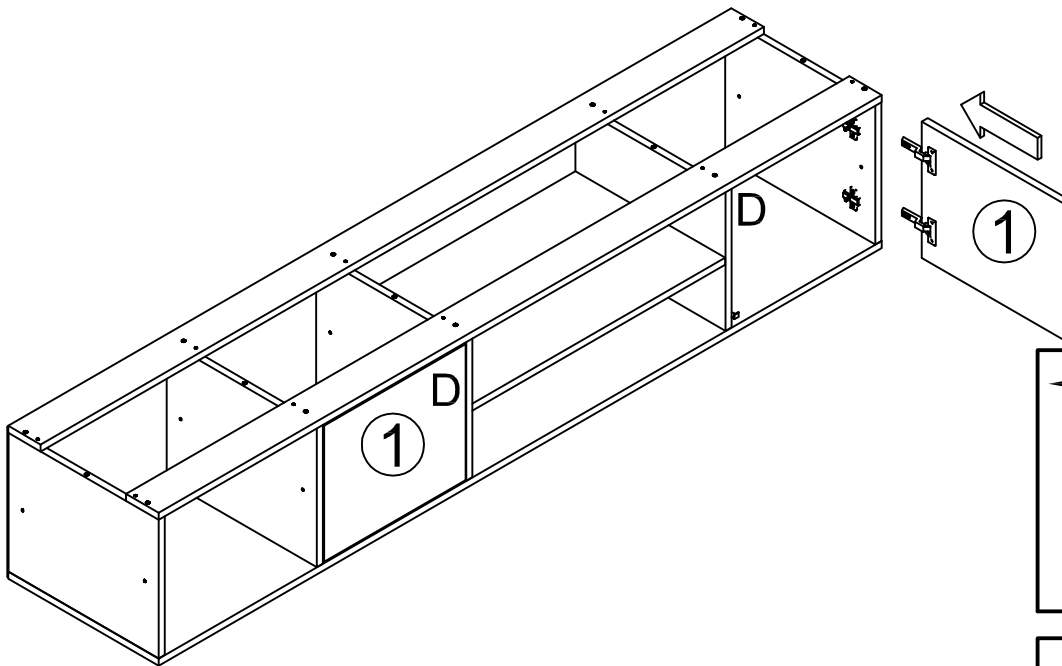
Assemble and adjust doors 1 using
Phillips head screwdriver.

Assemble and adjust door pusher D.



Assemble and adjust doors 1 using
Phillips head screwdriver.

Assemble and adjust door pusher D.



Customer Notice

Dear Customer,

Congratulations on the recent purchase of your furniture!

Customer Service:

For missing or spare parts requests please contact us Monday to Friday – 10am to 3pm in one of the following ways:

Phone: 0844 8008475

Email: spares@stompa.com

Please inform: product, colour, where did you buy it, part no, quantity and reason for request. We need your full name, address and telephone number.

Fax: Please complete the enclosed Service Form and fax to 0560 1132071

By post: Please complete the enclosed Service Form and post to:

Nordika Design Ltd t/a Stompa

High Rigg

Panorama Drive

Ilkley, LS29 9RA

We will do our utmost to supply spare parts within 7-10 working days of receipt of request.

Our quality control team has ensured a high quality product that we are sure you will be pleased with. All our furniture is produced from solid wood which contains knots and may have surface defects which are a feature of a natural product.

Customer Service Form

Please return complete to

Fax: 0560 1132071

Name: _____

Address: _____

Contact No: _____

Date of purchase: _____

Place of purchase: _____

Product Name: _____

See assembly instructions

Problem _____

Parts Needed:	<u>Part No.</u>	<u>Quantity</u>	Description
Please quote assembly instruction letter or number	_____	_____	e.g drawer base
	_____	_____	_____
	_____	_____	_____
	_____	_____	_____
	_____	_____	_____