

Dimensions

Width- 75 cm
Depth- 90 cm
Height- 72,2 cm

Important- Please read these instructions fully before starting assembly

If you need help or have damaged or missing parts, call the **Customers Helpline:** 0844 8008475



Instructions for use

IMPORTANT, READ CAREFULLY- RETAIN FOR FUTURE REFERENCE

WARNING: This product is suitable for children above the age of 3 years old

Before starting assembly:

*Do not use this item if any structural part is broken or missing

*Check you have all the components and tools listed

*Remove all fittings from the plastic bags and separate them into their groups

*Keep children and animals from the work area, small parts could choke if swallowed

*Make sure you have enough space to lay out the parts before starting

*Assemble the items as close to its final position (in the same room) as possible

*Assemble on the soft level surface to avoid damaging the unit or your floor

*This furniture meets the european standard certification FRQG C001:2008 & FRQG C003:2008



We do not recommend the use of power drills/drivers for inserting screws, as this could damage the unit. Only use hand screwdrivers.

*Dispose of all packaging carefully and responsibly.

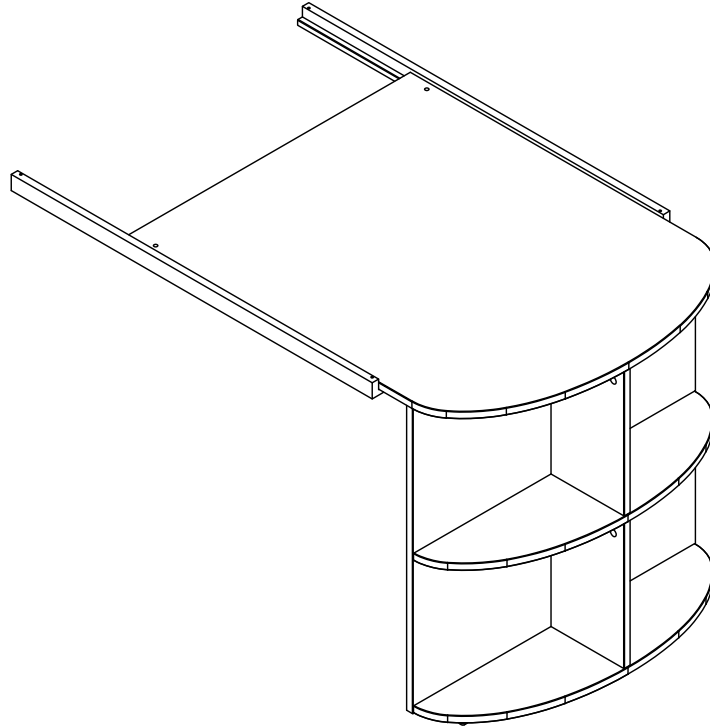
*Assembly should be carried out by competent adult only.

Care and maintenance:

* Only clean using a damp cloth and mild detergent, do not use bleach or abrasive cleaners.

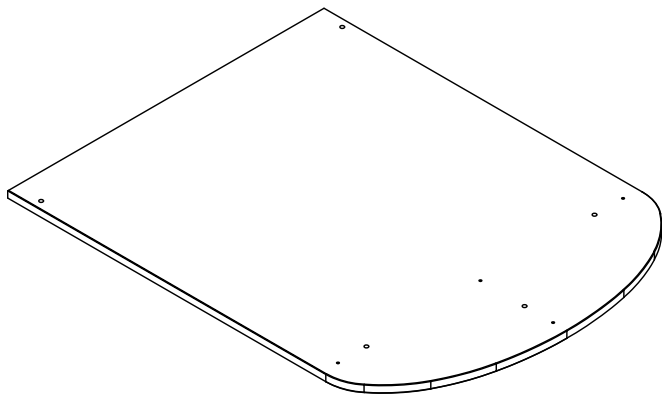
*Regularly check all fastenings to ensure that they properly tightened

*Our furniture will endure most temperatures in the home but it is best to avoid placing furniture next to the heat sources such as radiators or fires. Be particularly careful with solid wood as the lack of humidity caused by central heating can cause damage such as warping

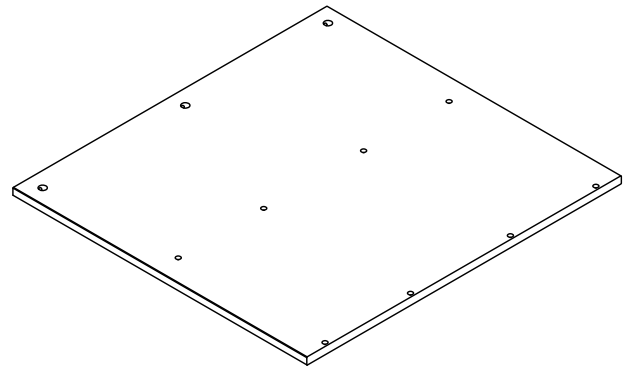


Components- Panels

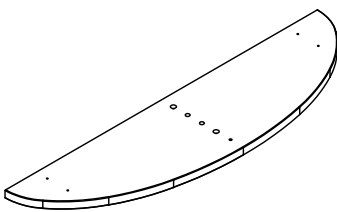
Please check that you have the panels listed below



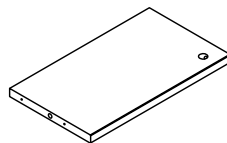
1 Top x1
(90x71x1,6 cm)



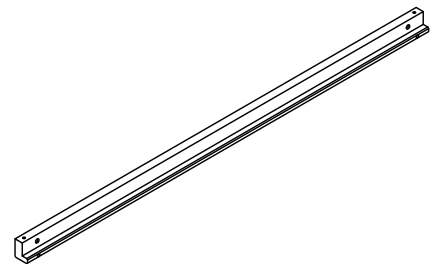
2 Back panel x1
(65,9x70,6x1,6 cm)



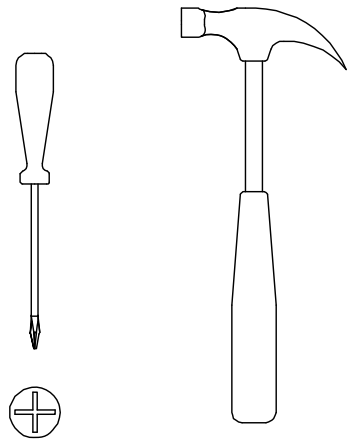
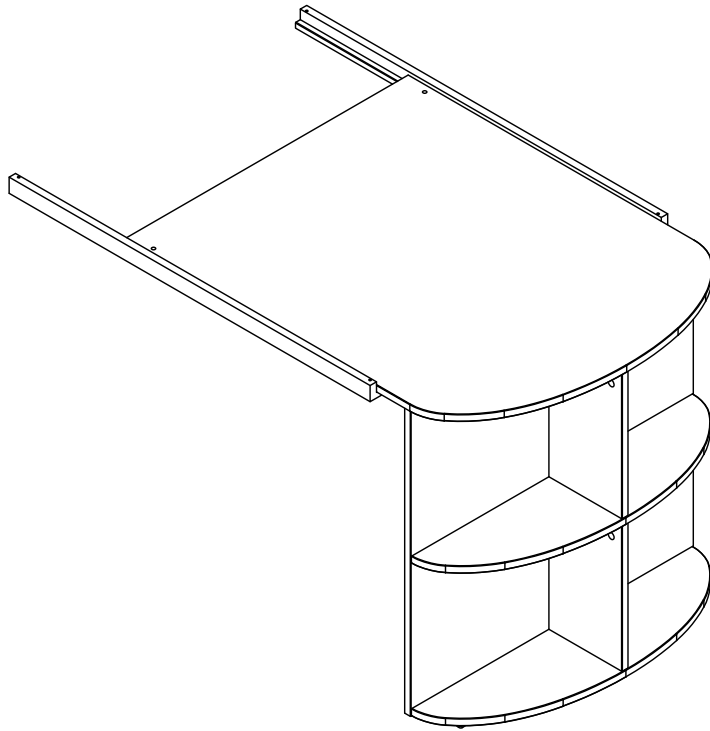
3 Base/ Shelf x2
(70,2x18,4x1,6 cm)



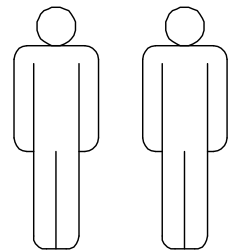
4 Partition panel x2
(31,3x18,2x1,6 cm)



5 Support rail x2
(90x3,5x2,8 cm)

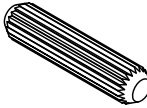

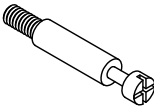
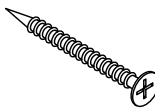
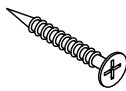

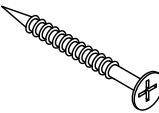
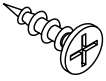
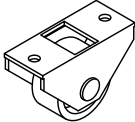
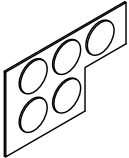

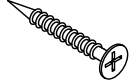


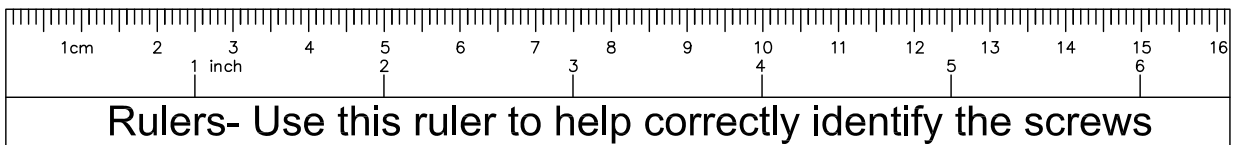
Tools that are needed



Components- Fittings

Please check that you have the fittings listed below

 8x30 8x	 15x12 5x	 6,5x44 5x	 4,5x55 12x	 4,5x40 2x	 6x35 8x
 5x55 4x	 3,5x15 4x	 2x	 5x	 2x	 4,5x30 4x



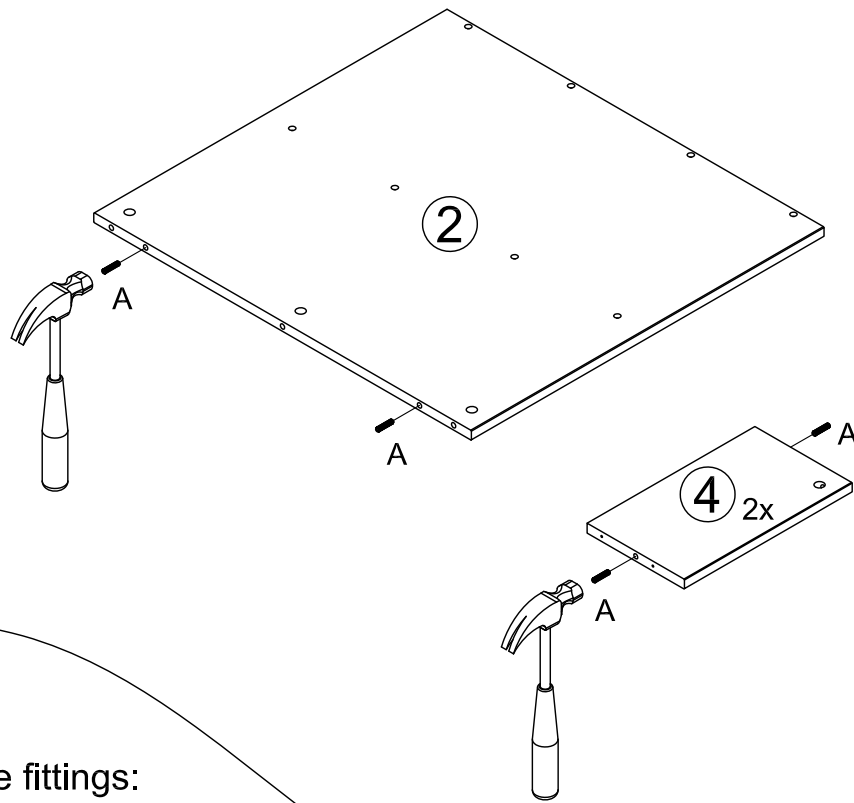
Step 1

5/11

In this step use these fittings:

Ax6

Insert dowels **A** in back panel **2** and partition panels **4**. Tap gently with a small hammer.



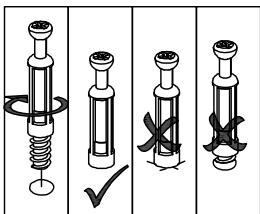
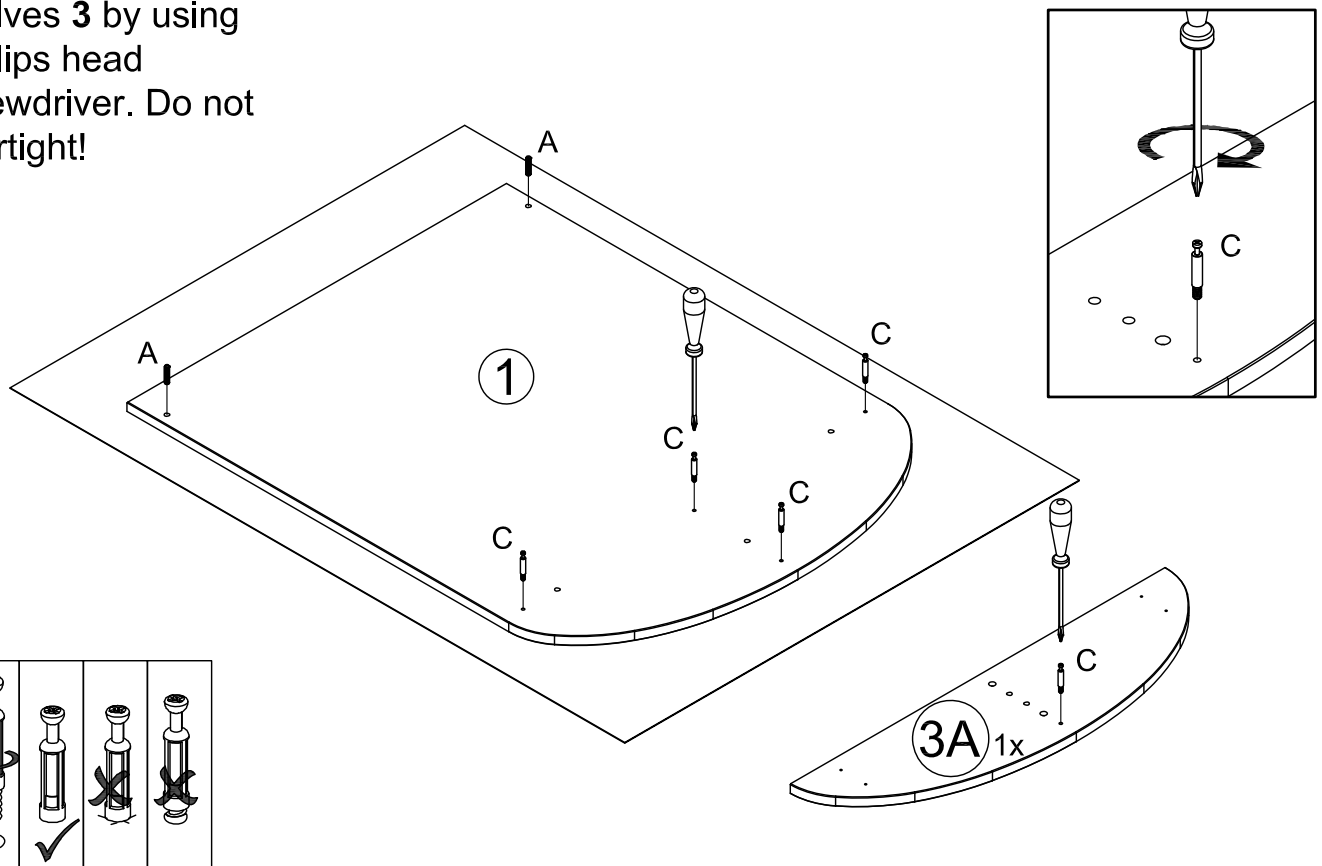
Step 2

In this step use these fittings:

Cx5

Ax2

Place eccentric bolts **C** in top **1** and shelves **3** by using Phillips head screwdriver. Do not overtight!



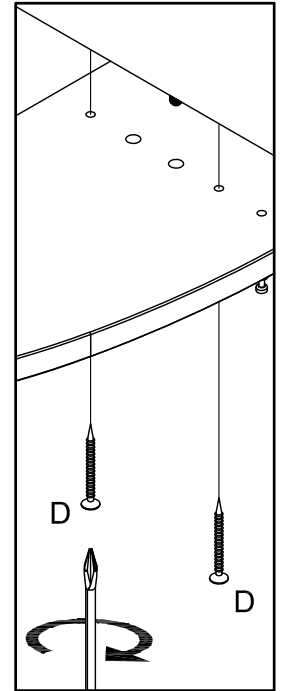
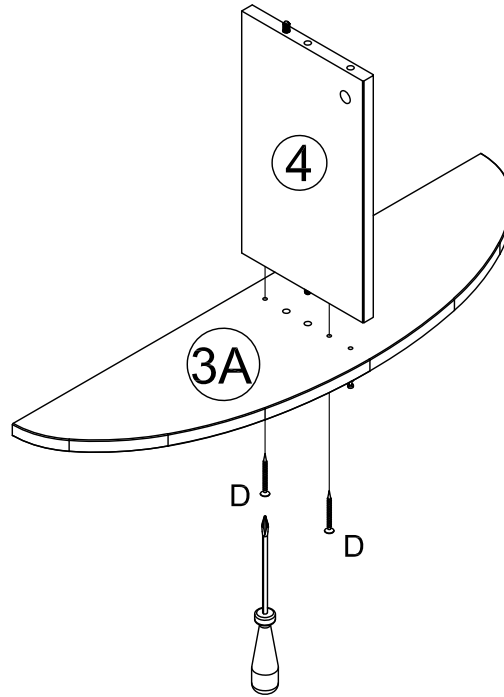
Step 3

6/11

In this step use these fittings:

Dx2

Assemble base **3** to partition panel **4** by pushing them together. Fasten with screws **D** using Phillips head screwdriver.



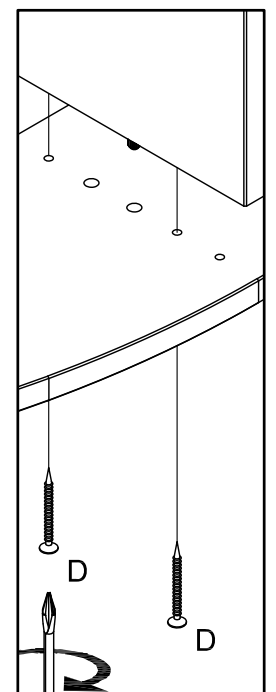
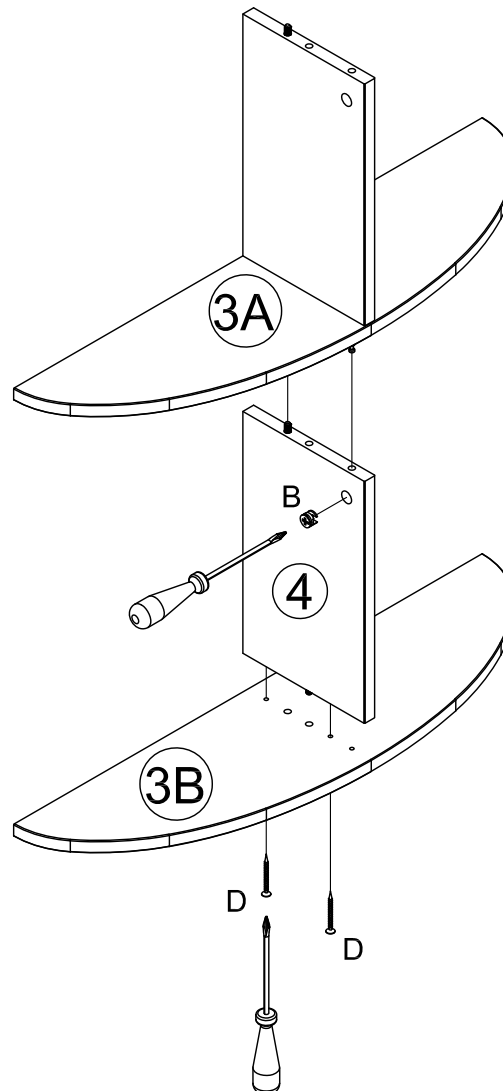
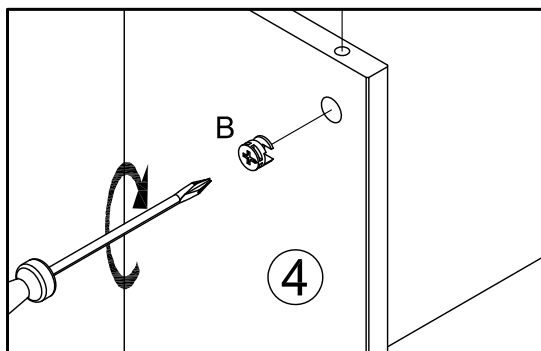
Step 4

In this step use these fittings:

Bx1

Dx2

Assemble shelves **3** to partition panels **4** by pushing them together. Insert locking nut **B** and fasten screws **D** using Phillips head screwdriver.



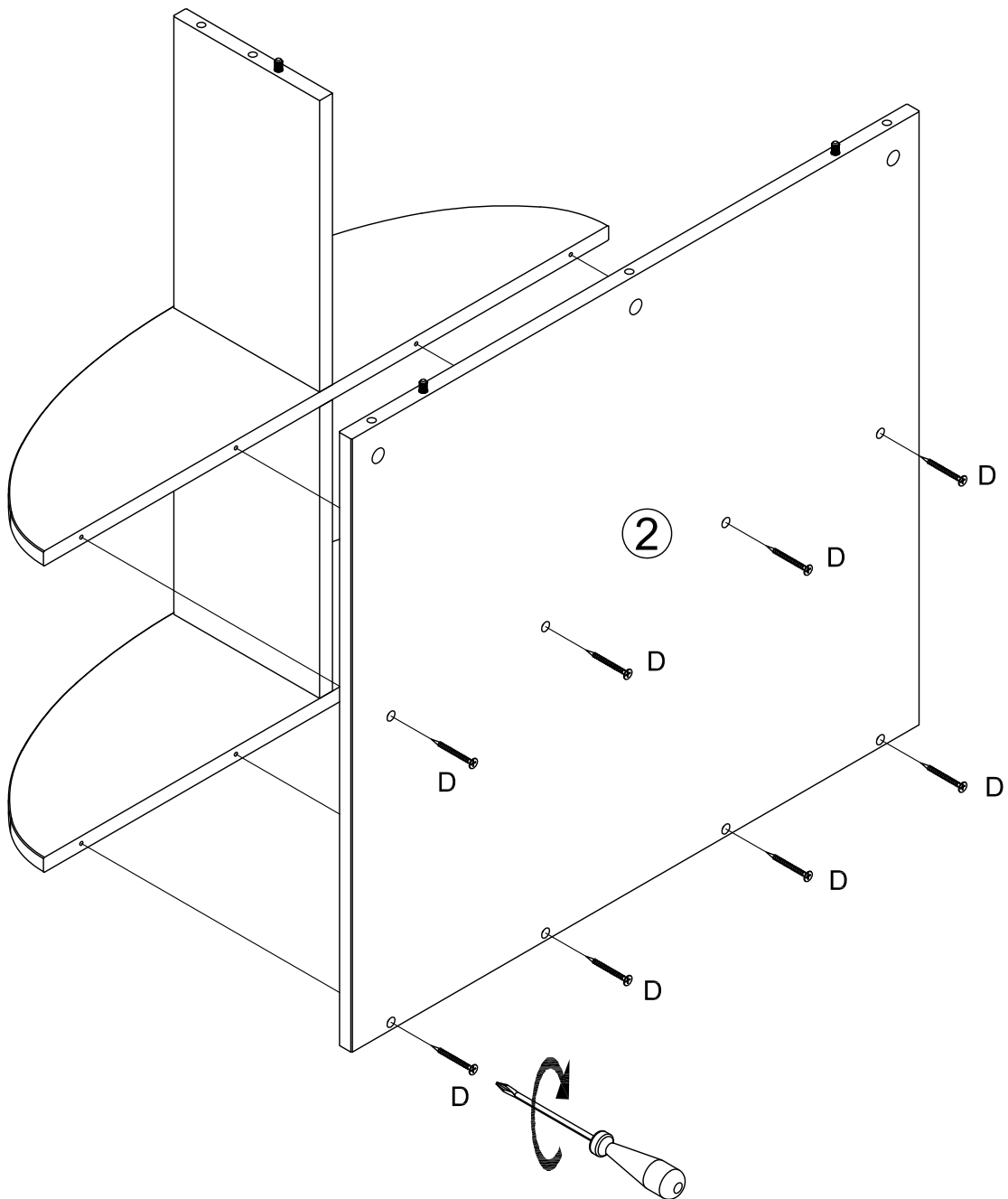
Step 5

7/11

In this step use these fittings:

Dx8

Assemble a block of shelves to the back wall **2** with screws **D** using Phillips head screwdriver.



Step 6

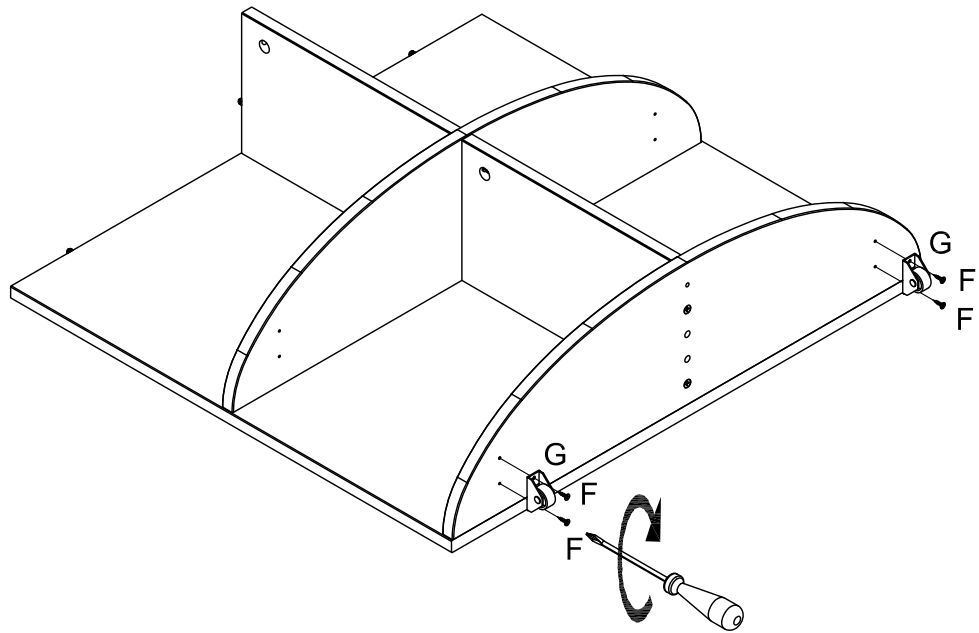
8/11

In this step use these fittings:

Fx4

Gx2

Fasten castors **G** to the base **3** with screws **F** using Phillips head screwdriver.



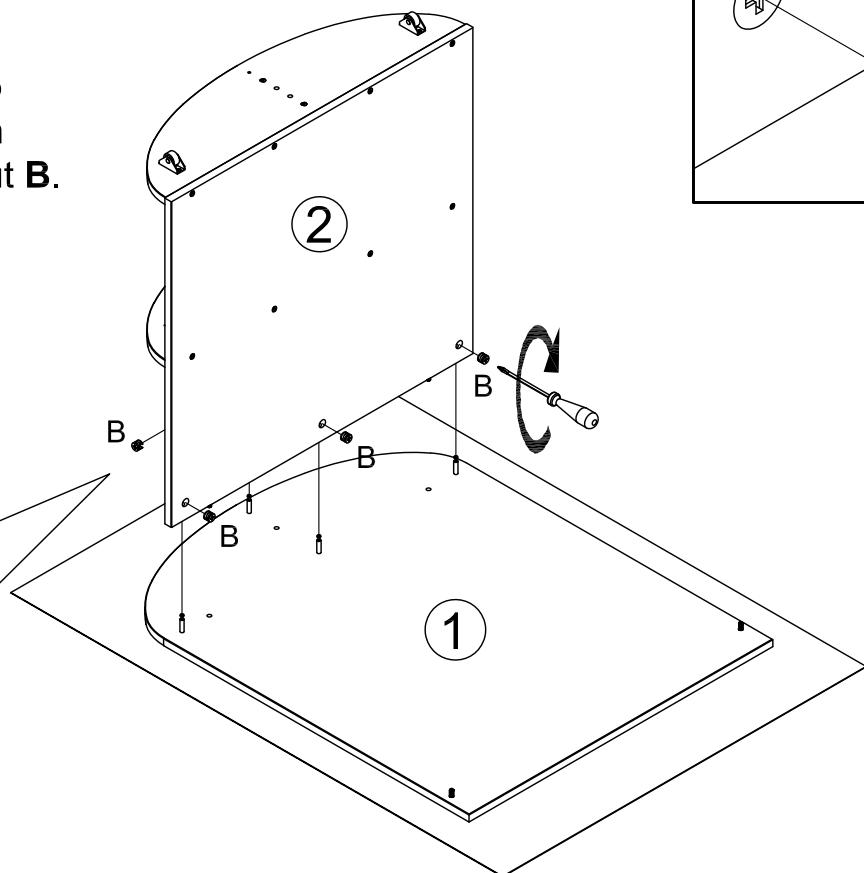
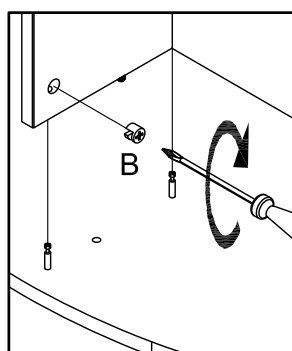
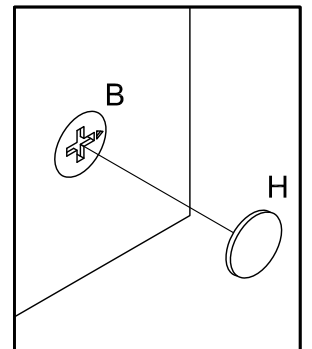
Step 7

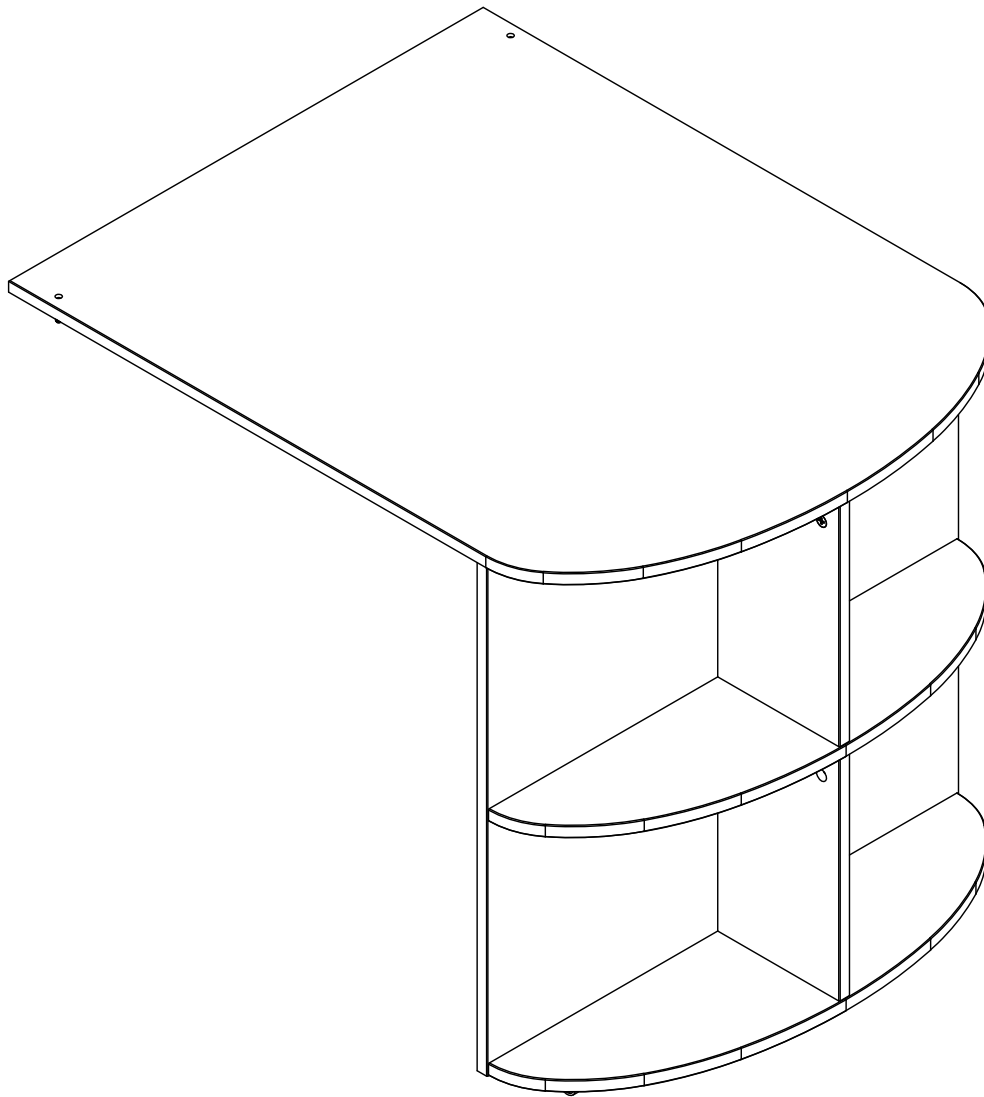
In this step use these fittings:

Bx4

Hx4

Assemble back panel **2** to the top **1** by pushing them together. Insert locking nut **B**. Lock using Phillips head screwdriver. Cover the locking nut **B** with cover cup **H**.





Step 9

In this step use these fittings:

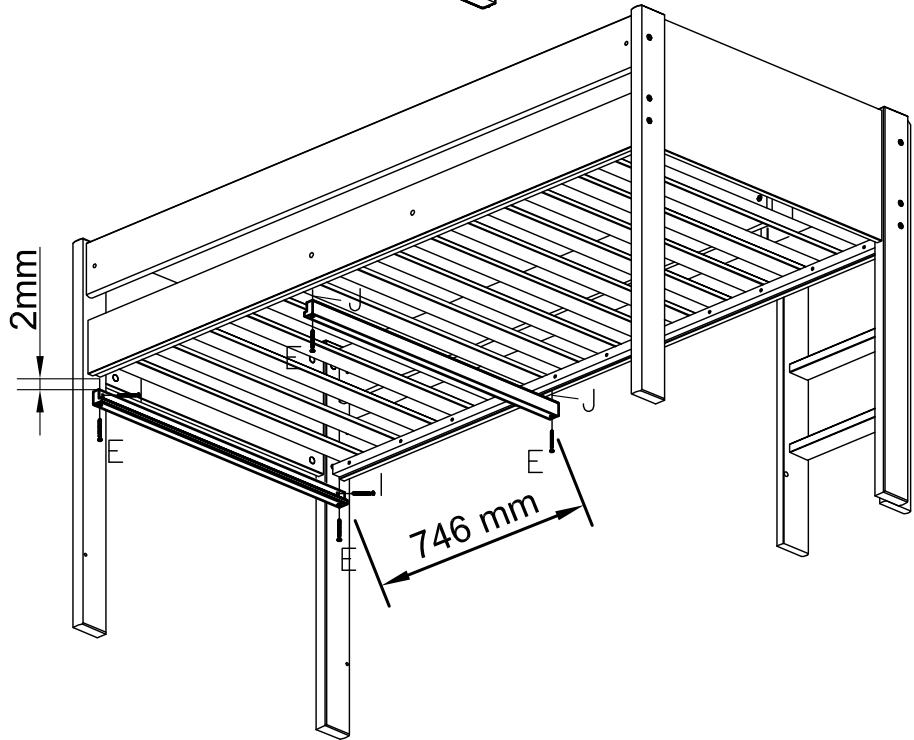
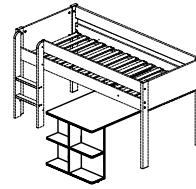
Ex4

Ix2

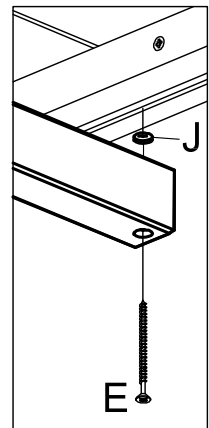
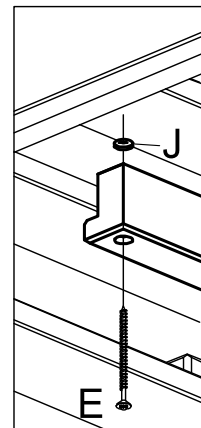
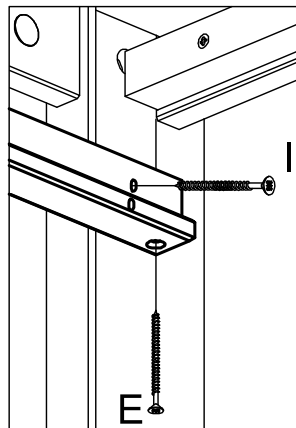
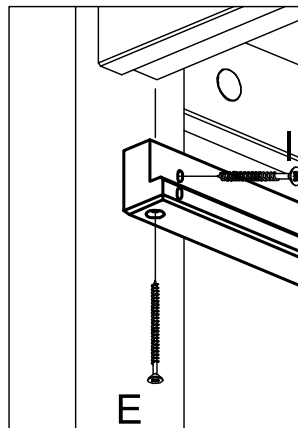
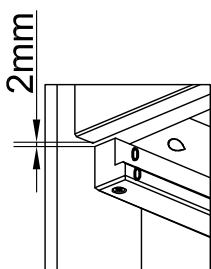
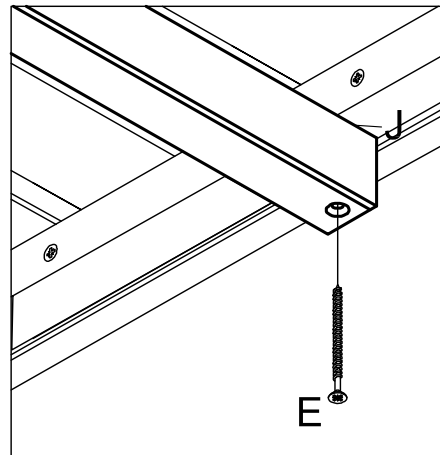
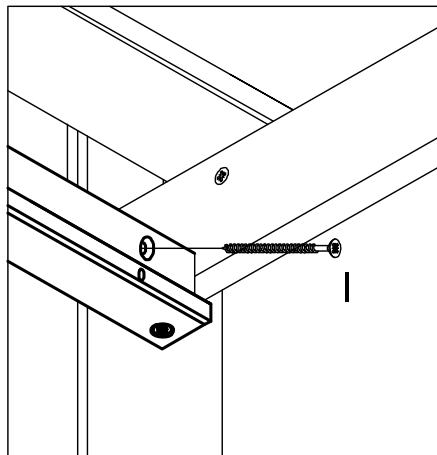
Jx2

Attach Pull Out Desk to your bed.
Decide which side you want to position the desk.

Fasten one support rail **5** to the legs with screws **E** and **I** using Phillips head screw driver. **ATTN!** Distance from slat support rail must be **2mm!**



Fasten another support rail **5** with screw **E** and spacer **J** to slat support rail. Distance from other desk support rail must be **746mm!**



Step 11

11/11

In this step use these fittings:

Ax2

Attach stop dowels.

It is very important for your children's safety that you mount the two dowels in the top.

They prevent pulling the Pull Out Desk too far.

