

Dimensions

Width- 74,9 cm

Depth- 39,9 cm

Height- 67,4 cm

71,9 cm inc feet

Important- Please read these instructions fully before starting assembly

If you need help or have damaged or missing parts, call the **Customers Helpline:** 0844 8008475



Instructions for use

IMPORTANT, READ CAREFULLY- RETAIN FOR FUTURE REFERENCE

WARNING: This product is suitable for children above the age of 3 years old

Before starting assembly:

*Do not use this item if any structural part is broken or missing.

*Check you have all the components and tools listed.

*Remove all fittings from the plastic bags and separate them into their groups.

*Keep children and animals from the work area, small parts could choke if swallowed.

*Make sure you have enough space to lay out the parts before starting.

*Assemble the items as close to its final position (in the same room) as possible.

*Assemble on the soft level surface to avoid damaging the unit or your floor.

*This furniture meets the european standard certification BS 4875-7:2006, FRQG C001:2008 & FRQG C004:2008



We do not recommend the use of power drills/drivers for inserting screws, as this could damage the unit. Only use hand screwdrivers.

*Dispose of all packaging carefully and responsibly.

*Assembly should be carried out by competent adult only.

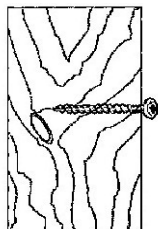
Care and maintenance:

* Only clean using a damp cloth and mild detergent, do not use bleach or abrasive cleaners.

*Regularly check all fastenings to ensure that they properly tightened.

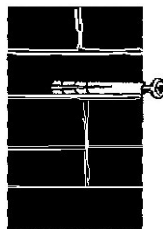
*Our furniture will endure most temperatures in the home but it is best to avoid placing furniture next to the heat sources such as radiators or fires. Be particularly careful with solid wood as the lack of humidity caused by central heating can cause damage such as warping.

Wall Fixing (if required)



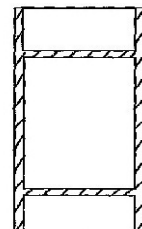
Wood

If fixing to wood make sure that it isn't chipboard as screws can easily pull away.



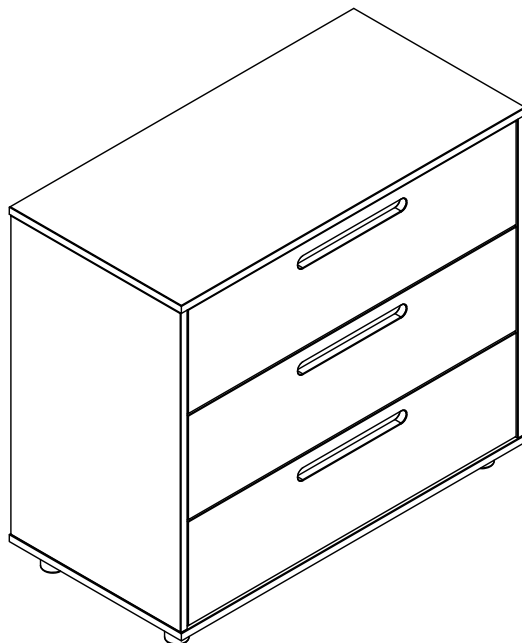
Brick or Masonary

Use an appropriate wall plug provided you are sure your wall is sound.



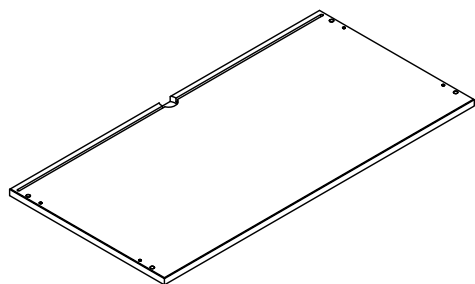
Cavity wall

Special toggle wall plugs are needed. Seek expert advice.

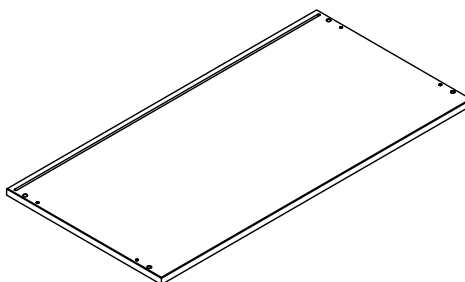


Components- Panels

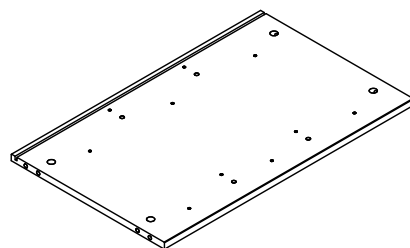
Please check that you have the panels listed below



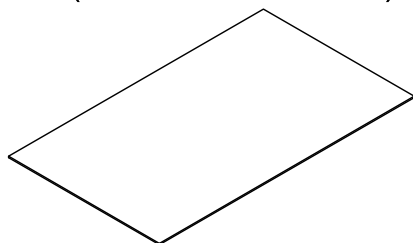
1 Top x1
(74,9x39,9x1,6 cm)



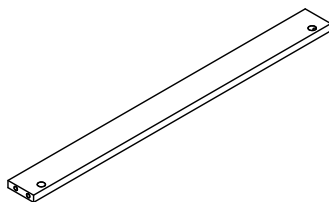
2 Base x1
(74,9x39,9x1,6 cm)



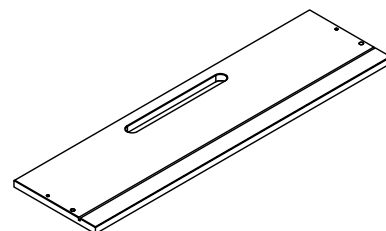
3 Left and right side x2
(64,2x39,5x1,6 cm)



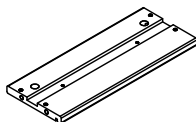
4 Back panel x2
(65,7x36,4x0,3 cm)



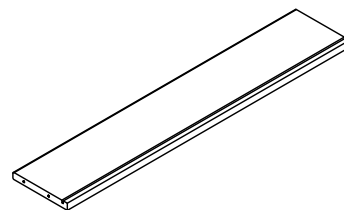
5 Support rail x2
(71,6x6,6x1,6 cm)



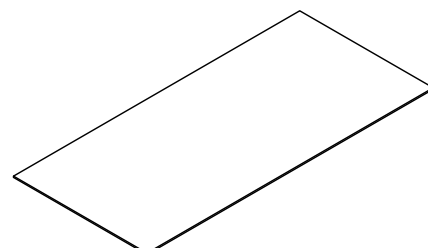
6 Drawer front panel x3
(71,2x21x1,6 cm)



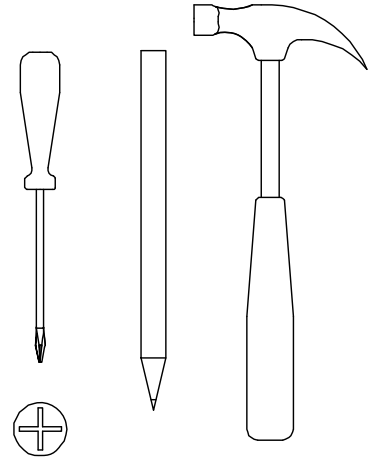
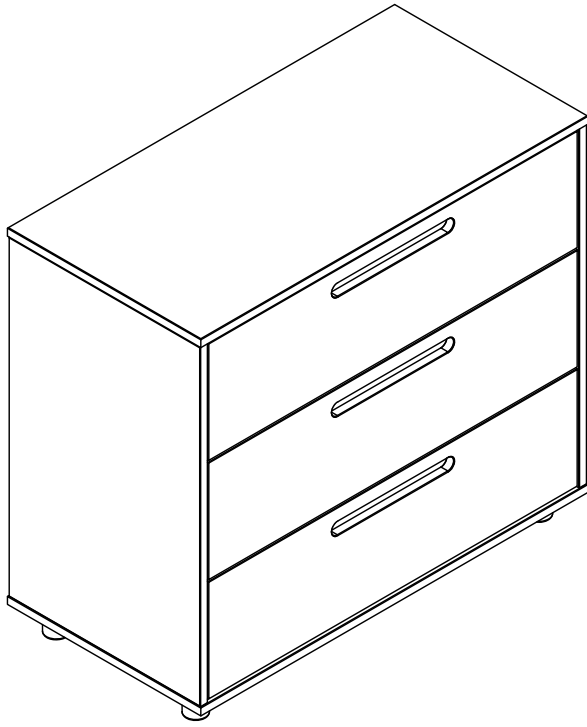
7 Drawer side x6
(35x14x1,6 cm)



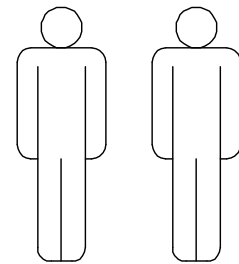
8 Drawer back panel x3
(67,8x14x1,6 cm)



9 Drawer base x3
(68,8x34,4x0,3 cm)

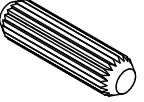

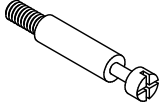
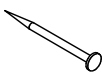
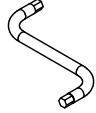
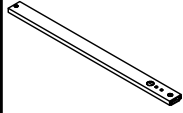


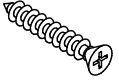
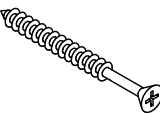


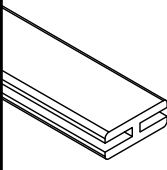
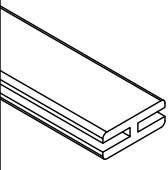

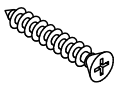


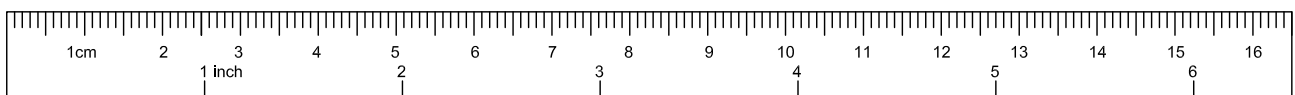
Tools that are needed



Components- Fittings

Please check that you have the fittings listed below

 A 8x30 18x	 B 15x12 18x	 C 6,5x44 18x	 D 6x	 E 1x	 F 6x 5,8x9 12x	 G 12x
 H M4x12 6x	 I 3x30 12x	 J 4,5x55 4x	 K 1x	 L 22x	 M1 40,6cm 1x	 M2 21,5cm 1x
 O 4x						 P 4x25 4x



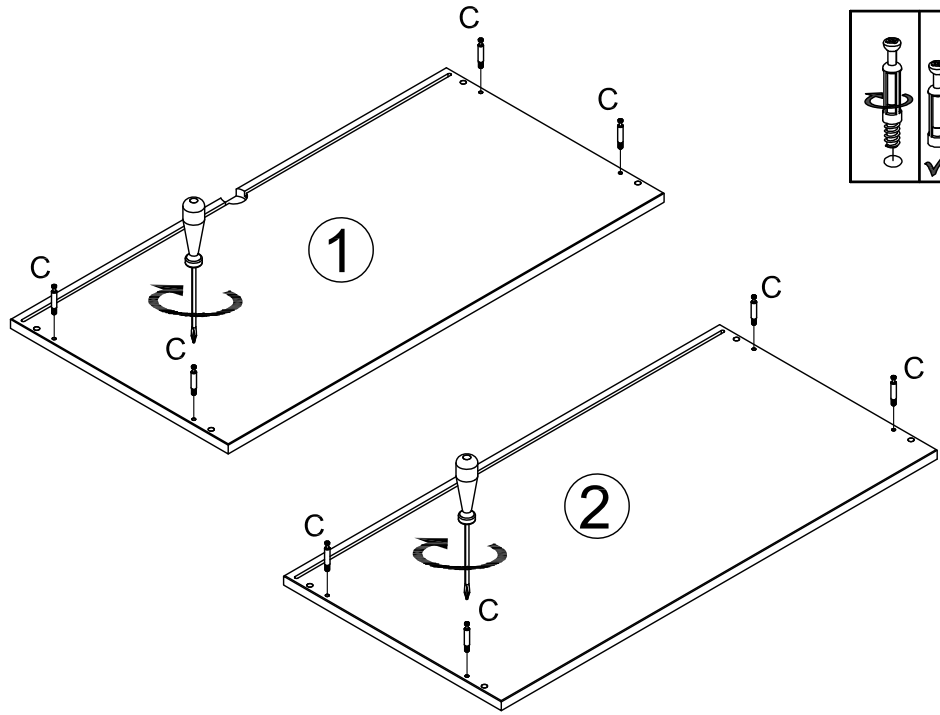
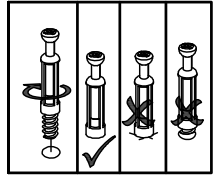
Rulers- Use this ruler to help correctly identify the screws

Step 1

In this step use these fittings:

Cx8

Place eccentric bolts **C** in top **1** and base **2** by using Phillips head screwdriver. Do not overtight!



Step 2

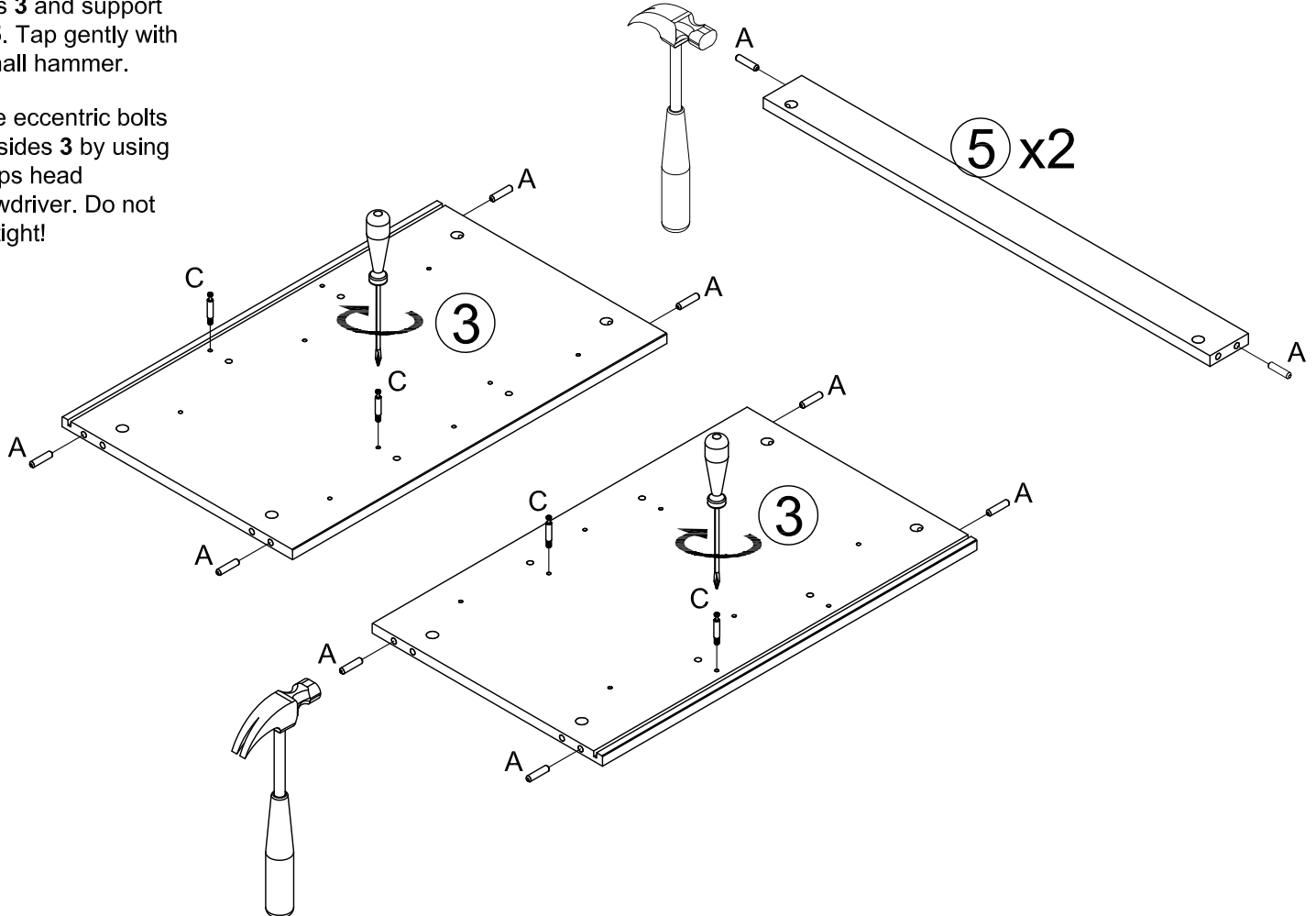
In this step use these fittings:

Ax12

Cx4

Insert dowels **A** in sides **3** and support rail **5**. Tap gently with a small hammer.

Place eccentric bolts **C** in sides **3** by using Phillips head screwdriver. Do not overtight!



Step 3

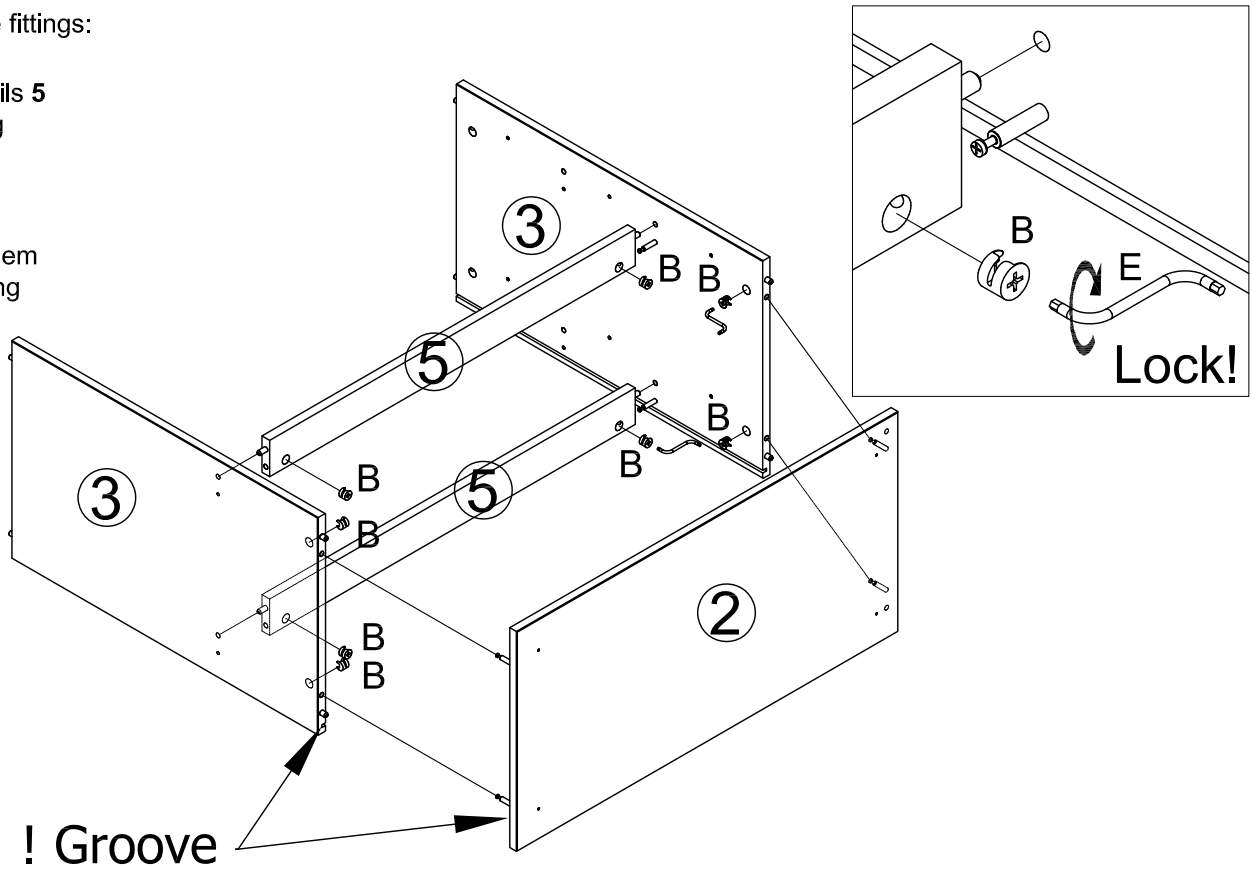
In this step use these fittings:

Bx4

Assemble support rails **5** to sides **3** by pushing them together. Insert locking nut **B**.

Assemble base **2** to sides **3** by pushing them together. Insert locking nut **B**.

Lock using key **E**.



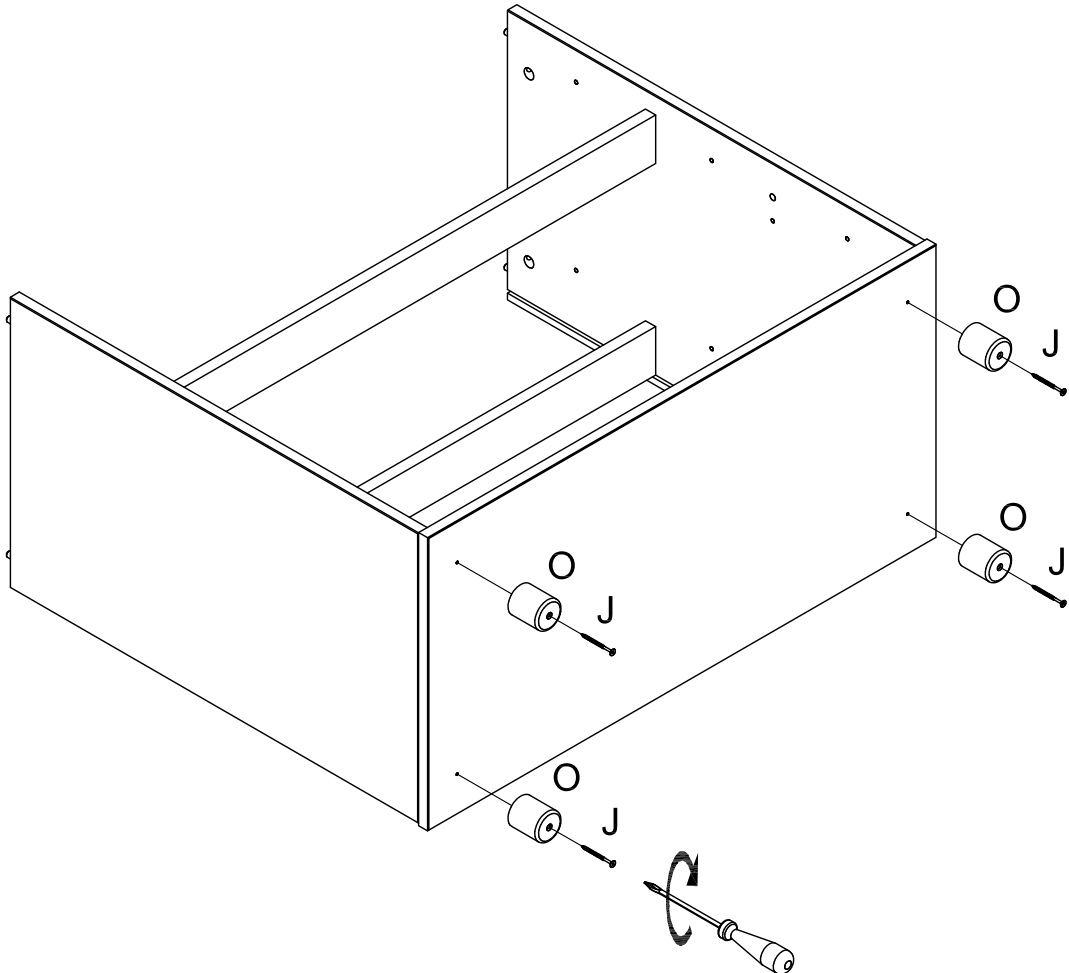
Step 4

In this step use these fittings:

Ox4

Jx4

Assemble legs **O** with screws **J** using Phillips head screwdriver.



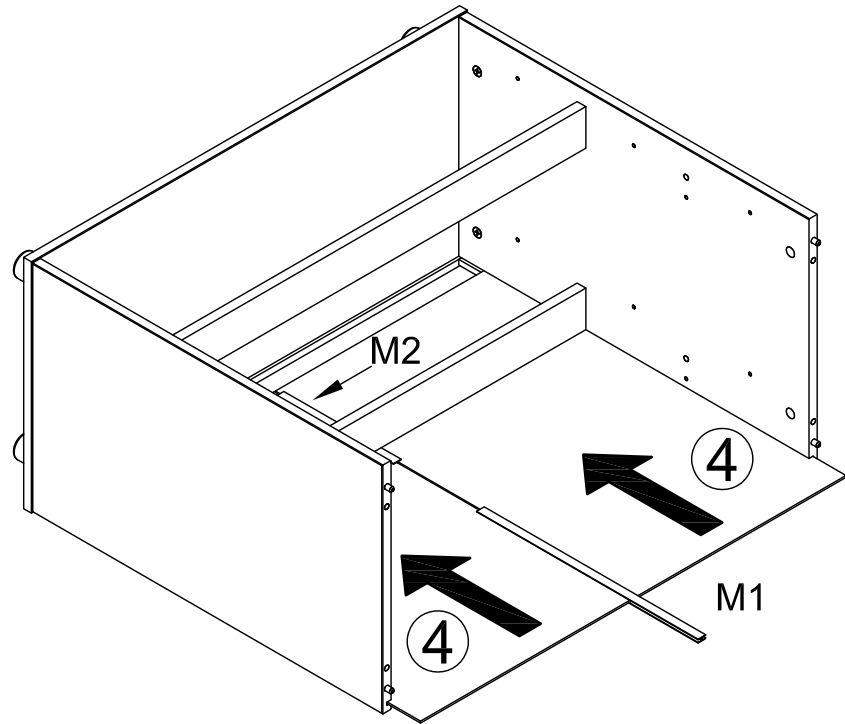
Step 5

In this step use these fittings:

M1x1

M2x1

Assemble back panels **4**
by pushing them into
groove and middle
support **M1** and **M2**.

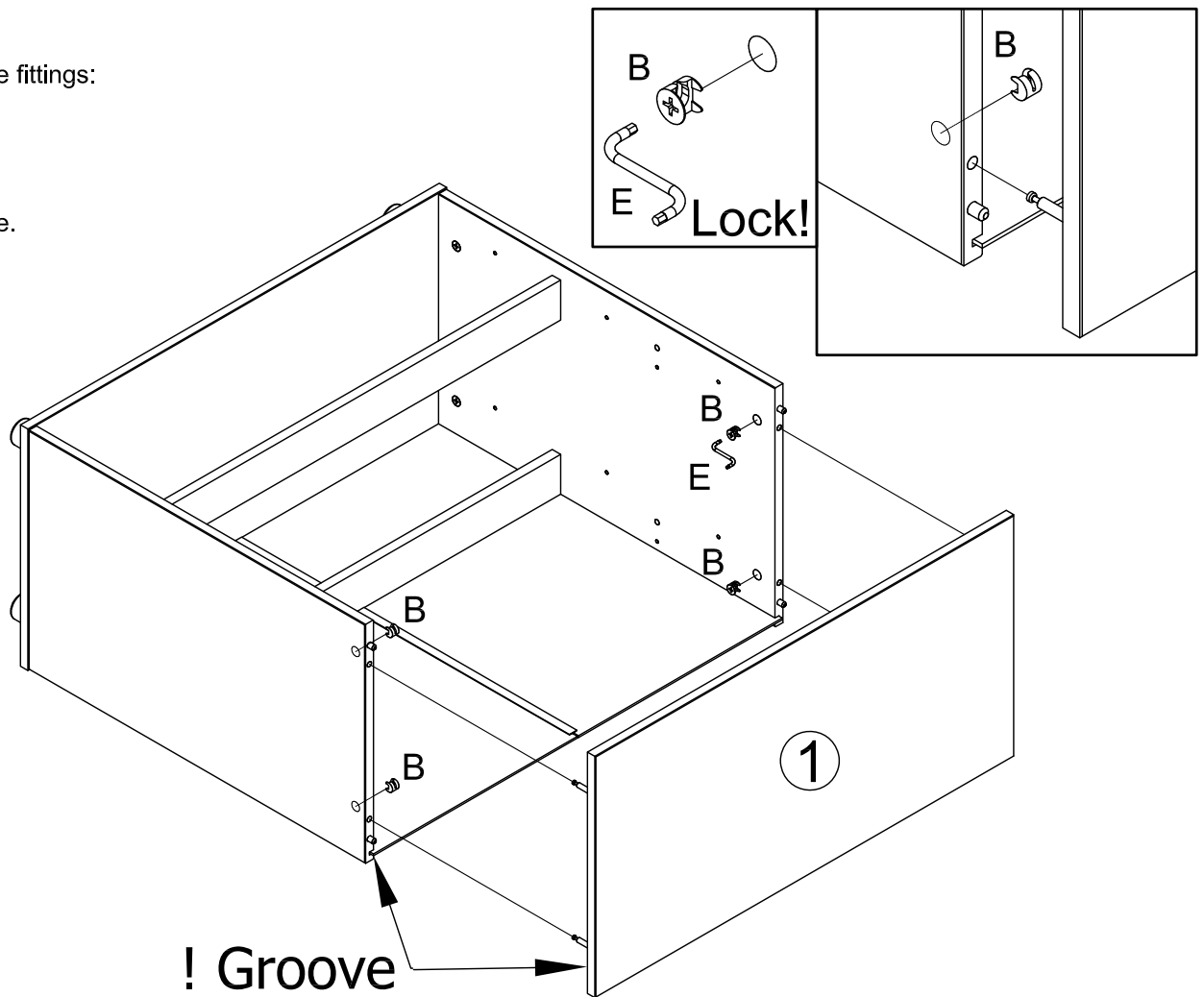


Step 6

In this step use these fittings:

Bx4

Assemble top **1** by
pushing it to its place.
Insert locking nut **B**.
Lock using key **E**.



Step 7

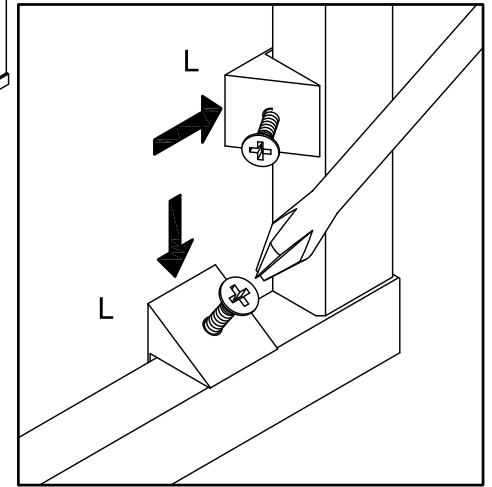
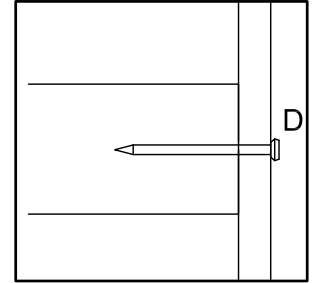
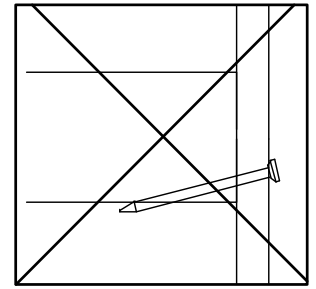
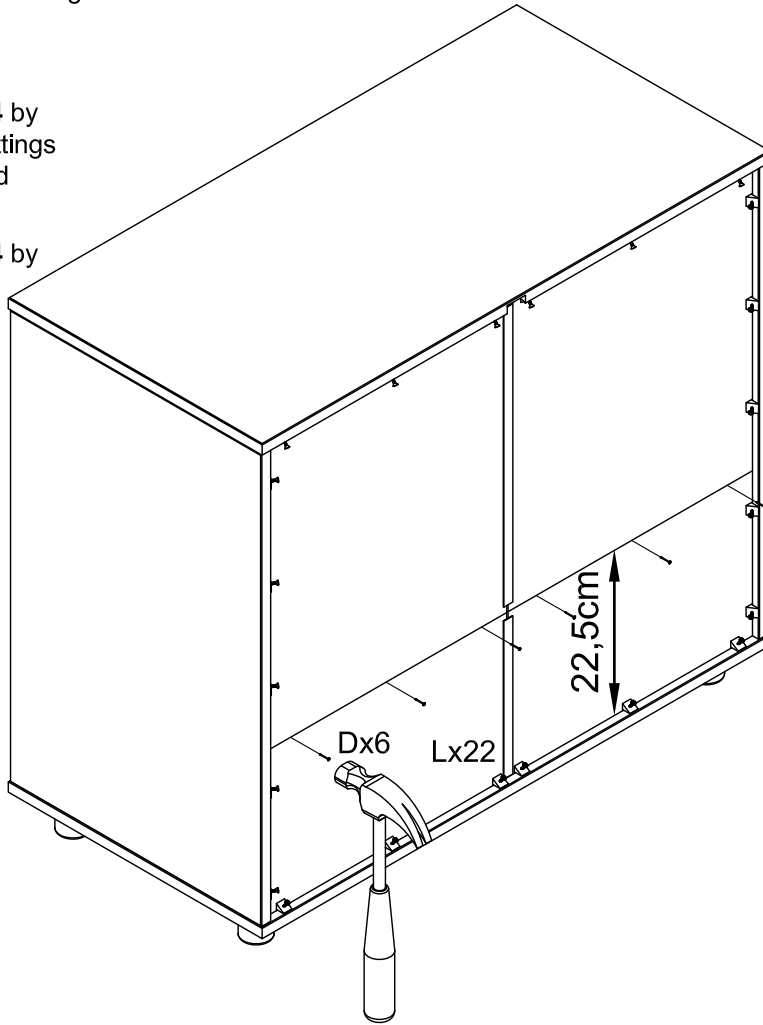
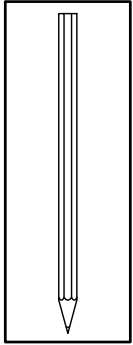
In this step use these fittings:

- Dx6**
- Lx22**

Fasten back panel **4** by fixing it with fixing fittings **L** using Phillips head screwdriver.

Fasten back panel **4** by fixing it with nails **D**. Tap gently with a small hammer.

Use pencil and ruler

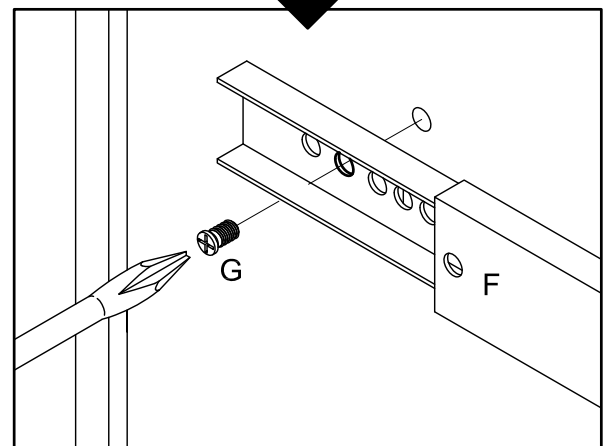
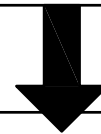
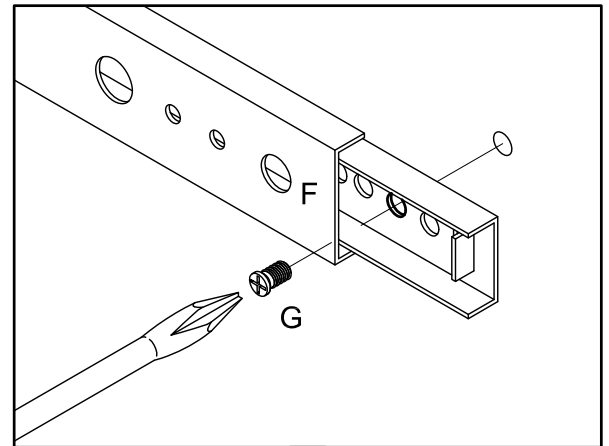
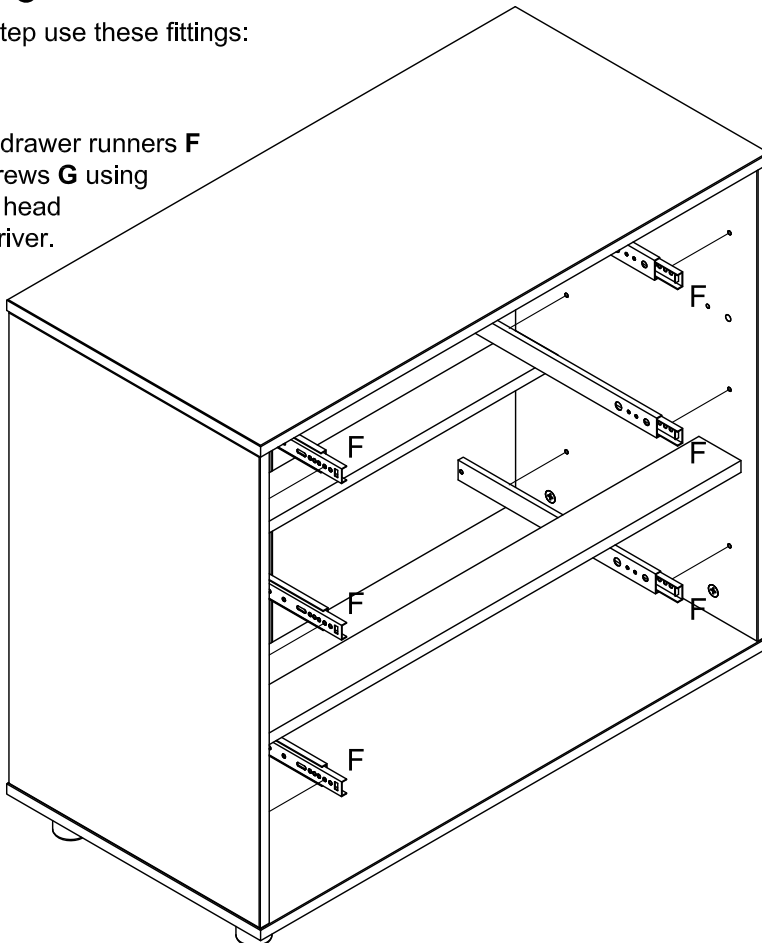


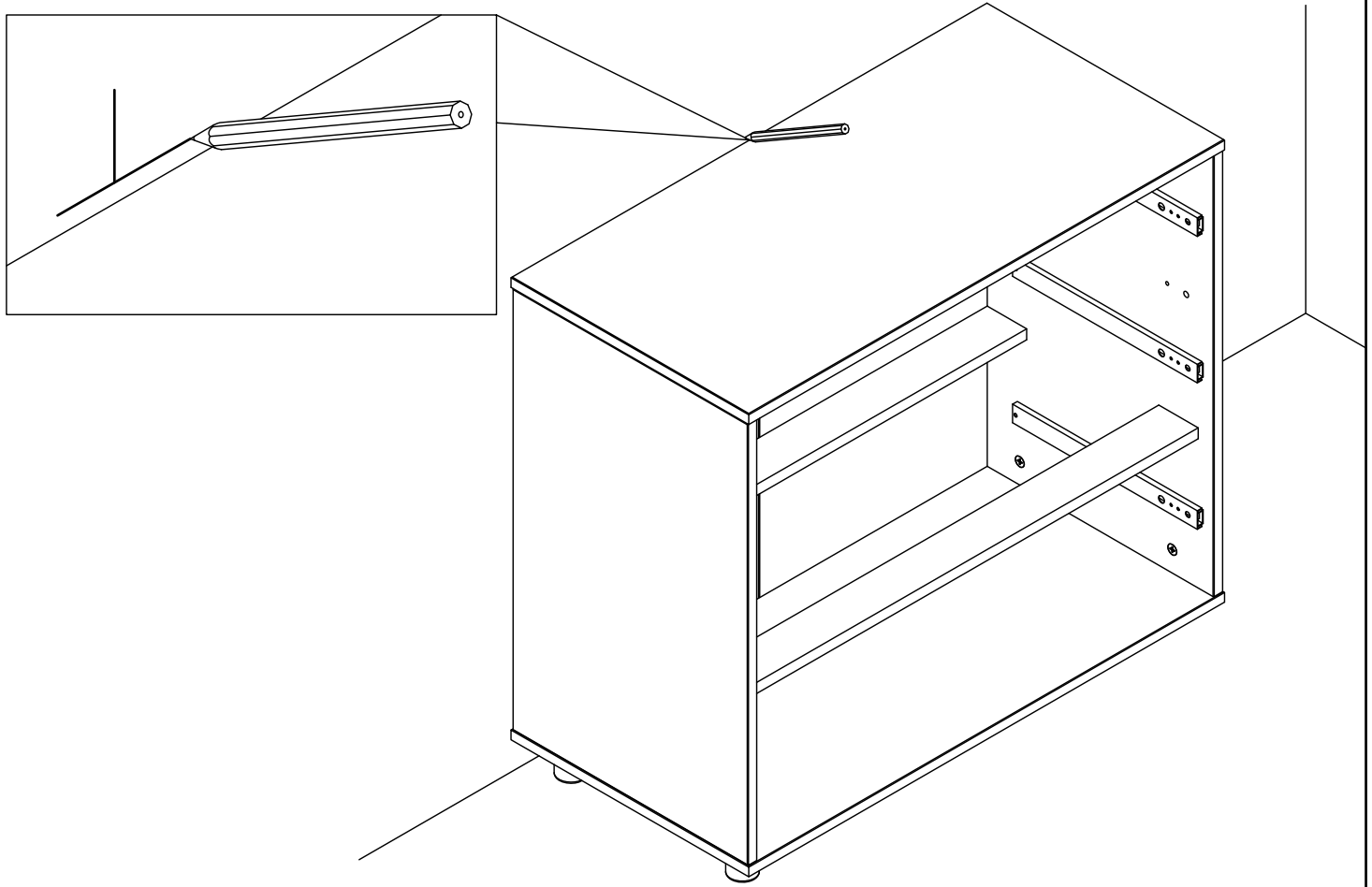
Step 8

In this step use these fittings:

- Fx6**
- Gx12**

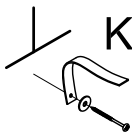
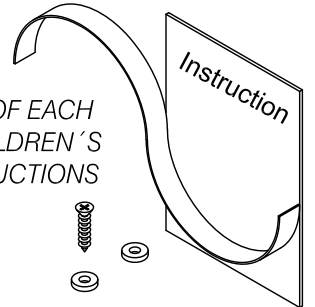
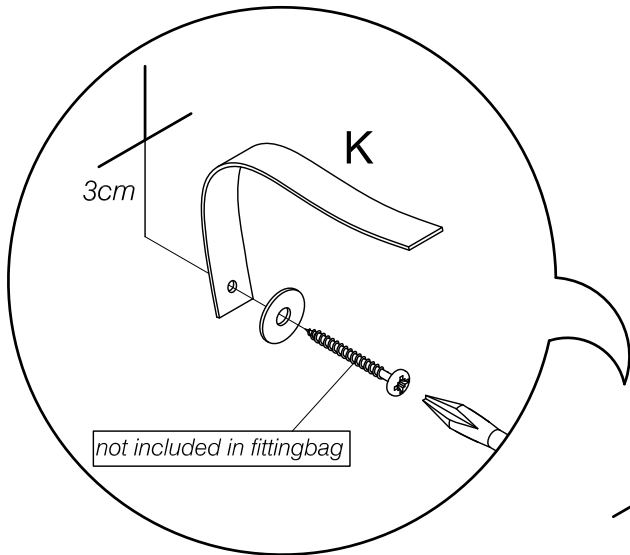
Fasten drawer runners **F** with screws **G** using Phillips head screwdriver.



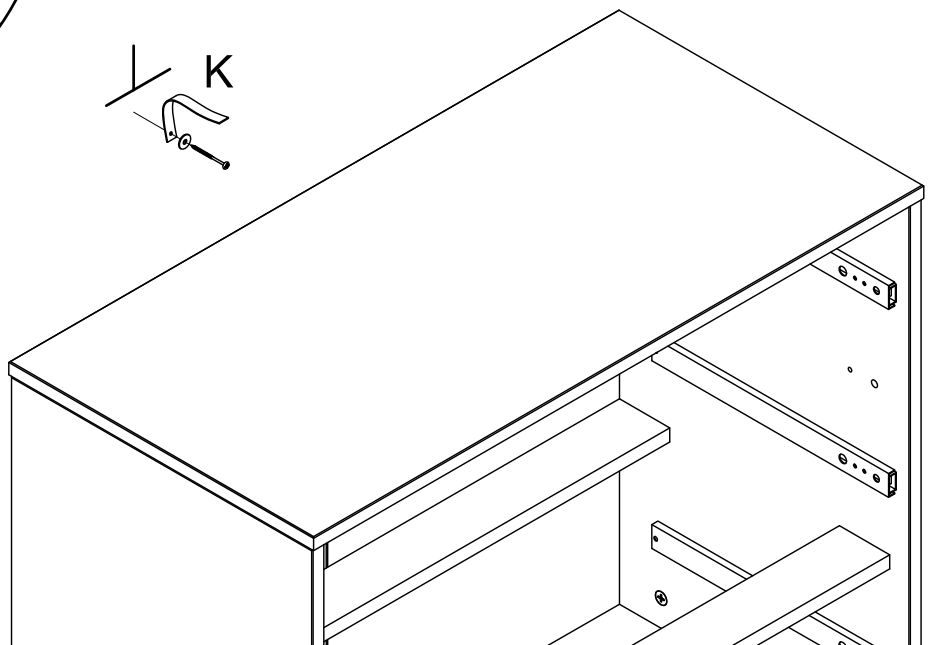


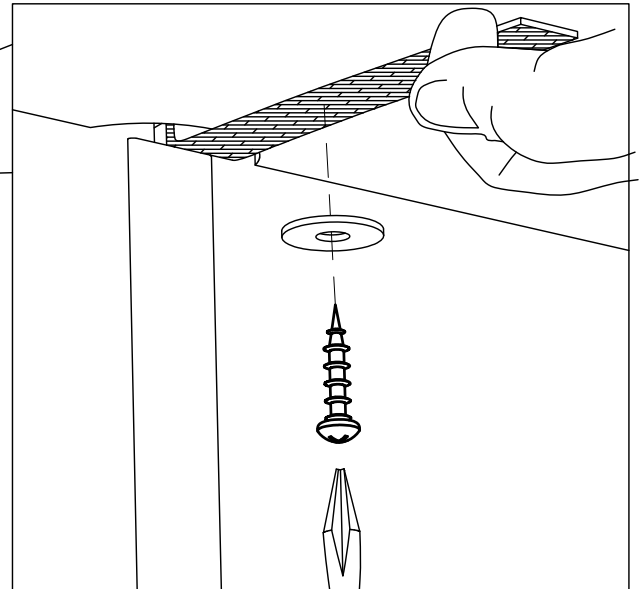
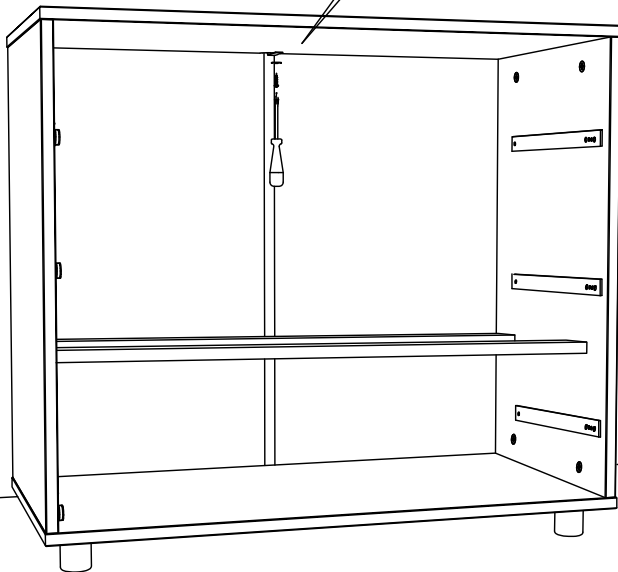
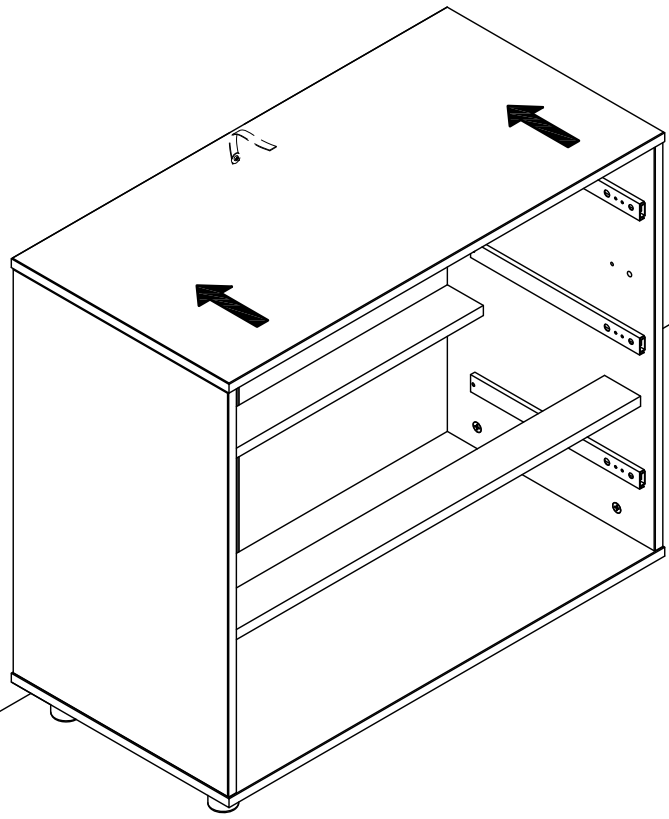
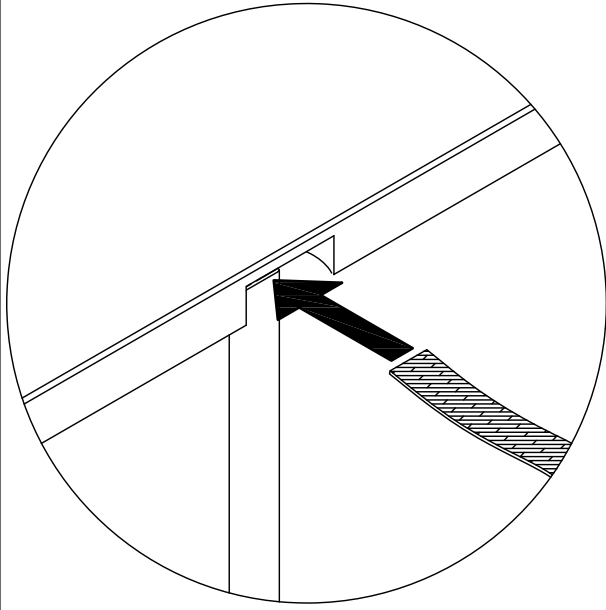
Step 10

ATTENTION!
 ATTACHING TO WALL.
 IF YOU ARE STACKING UNITS ON TOP OF EACH
 OTHER IT IS ESSENTIAL FOR YOUR CHILDREN'S
 SAFETY THAT YOU FOLLOW THE INSTRUCTIONS
 IN THE BAG WITH THE SAFETY STRAP.



As wall materials vary, screws for fixing
 to wall are not included. For advice on
 suitable screw systems, contact your
 local specialised dealer.





Step 13

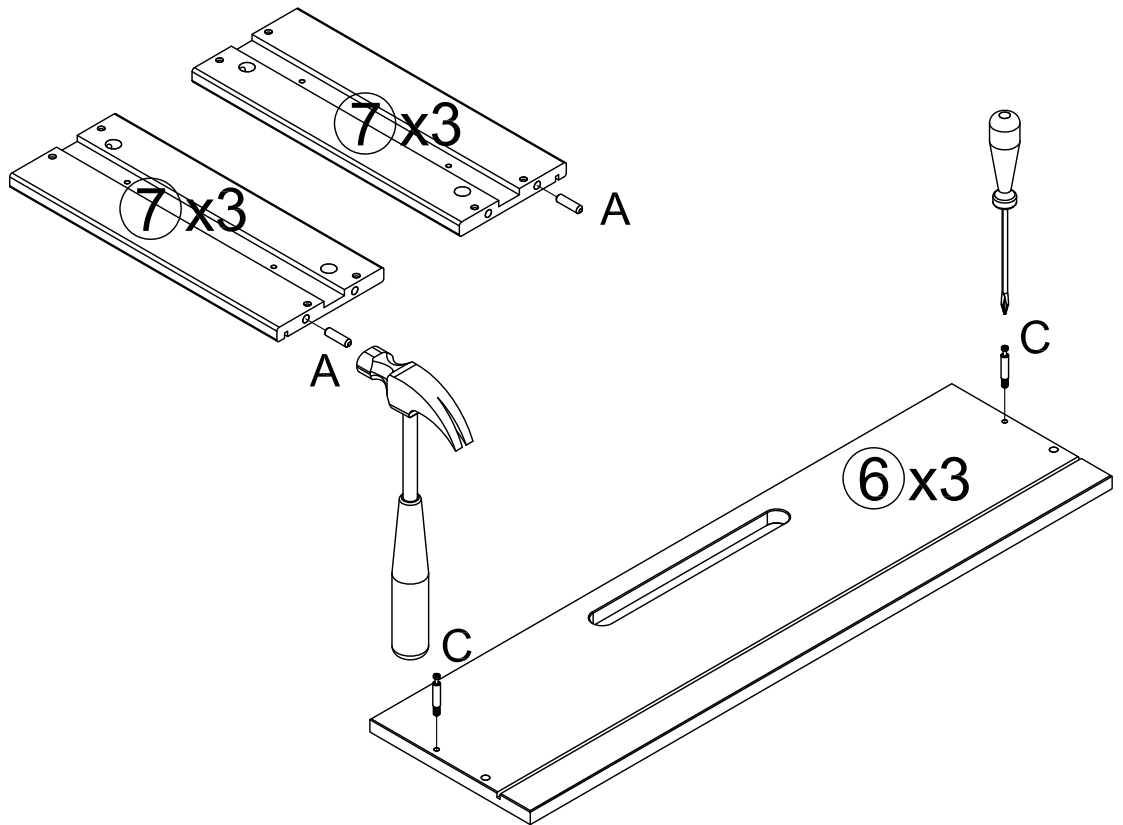
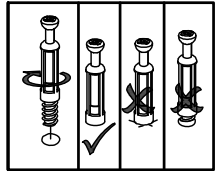
In this step use these fittings:

Cx6

Ax6

Place eccentric bolts **C** in drawer fronts **6** and **7** using Phillips head screwdriver. Do not overtight!

Insert dowels **A** in drawer sides **7**. Tap gently with a small hammer.



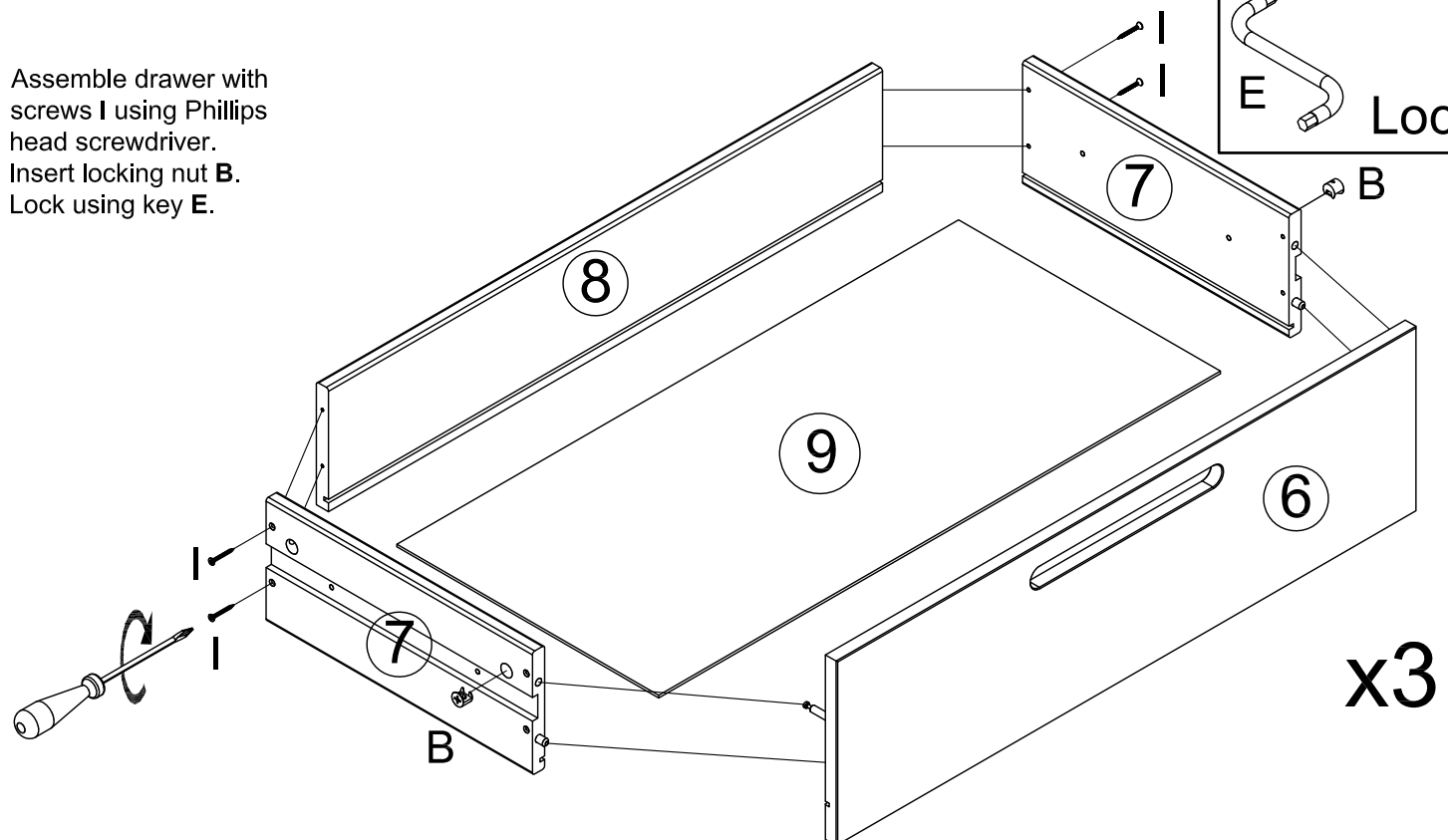
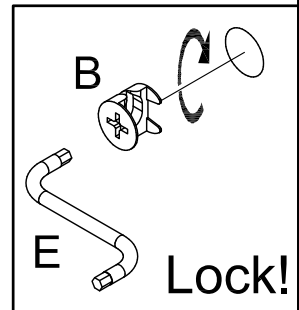
Step 14

In this step use these fittings:

Ix12

Bx6

Assemble drawer with screws **I** using Phillips head screwdriver. Insert locking nut **B**. Lock using key **E**.



Step 15

In this step use these fittings:
Hx6

Put drawers to their place.

Assemble drawer with screws **H** using Phillips head screwdriver.

