

Dimensions

Width- 189,4 cm

Depth- 39,4 cm

Height- 34,7 cm

Important- Please read these instructions fully before starting assembly

If you need help or have damaged or missing parts, call the **Customers Helpline:** 0844 8008475



Instructions for use

IMPORTANT, READ CAREFULLY- RETAIN FOR FUTURE REFERENCE

WARNING: This product is suitable for children above the age of 4 years old

Before starting assembly:

*Do not use this item if any structural part is broken or missing

*Check you have all the components and tools listed

*Remove all fittings from the plastic bags and separate them into their groups

*Keep children and animals from the work area, small parts could choke if swallowed

*Make sure you have enough space to lay out the parts before starting

*Assemble the items as close to its final position (in the same room) as possible

*Assemble on the soft level surface to avoid damaging the unit or your floor

*This furniture meets the european standard certification BS 4875-7:2006, FRQG C001:2008 & FRQG C004:2008



We do not recommend the use of power drills/drivers for inserting screws, as this could damage the unit. Only use hand screwdrivers.

*Dispose of all packaging carefully and responsibly.

*Assembly should be carried out by competent adult only.

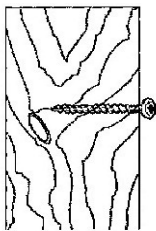
Care and maintenance:

* Only clean using a damp cloth and mild detergent, do not use bleach or abrasive cleaners.

*Regularly check all fastenings to ensure that they properly tightened

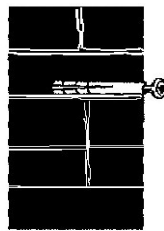
*Our furniture will endure most temperatures in the home but it is best to avoid placing furniture next to the heat sources such as radiators or fires. Be particularly careful with solid wood as the lack of humidity caused by central heating can cause damage such as warping

Wall Fixing (if required)



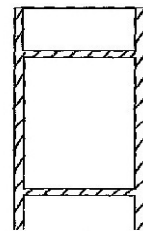
Wood

If fixing to wood make sure that it isn't chipboard as screws can easily pull away



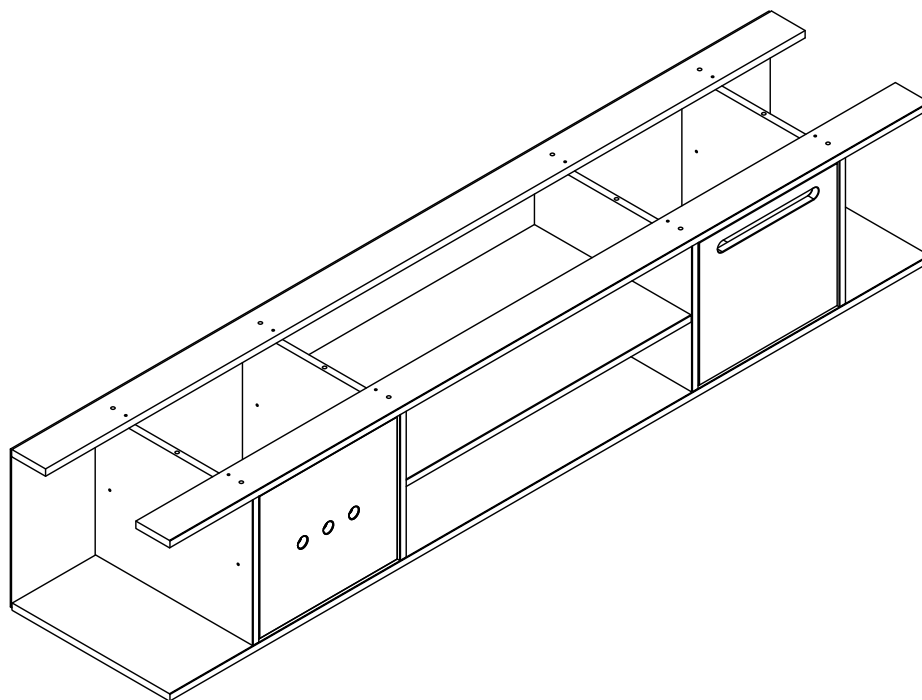
Brick or Masonary

Use an appropriate wall plug provided you are sure your wall is sound



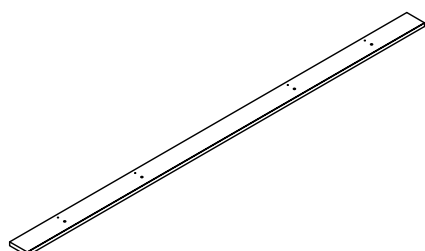
Cavity wall

Special toggle wall plugs are needed. Seek expert advice.

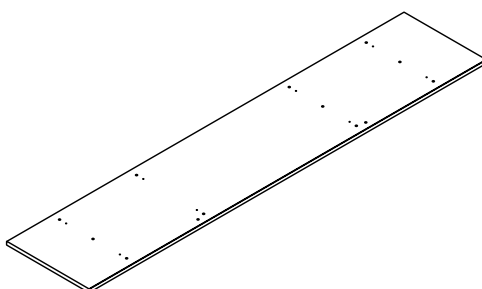


Components- Panels

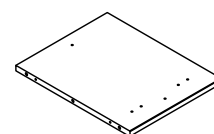
Please check that you have the panels listed below



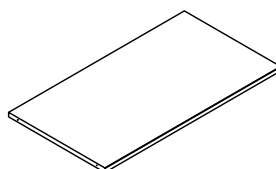
1 Support rails x2
(189,4x8,5x1,6 cm)



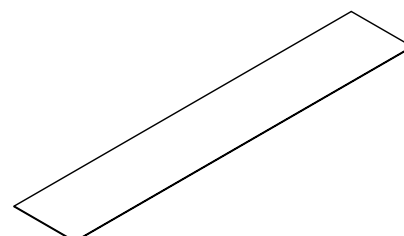
2 Base x1
(189,4x39,4x1,6 cm)



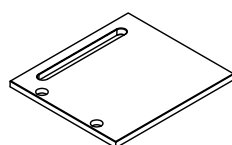
3 Side x4
(31,5x39,3x1,6 cm)



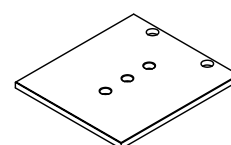
4 Shelf x1
(71,2x39,1x1,6 cm)



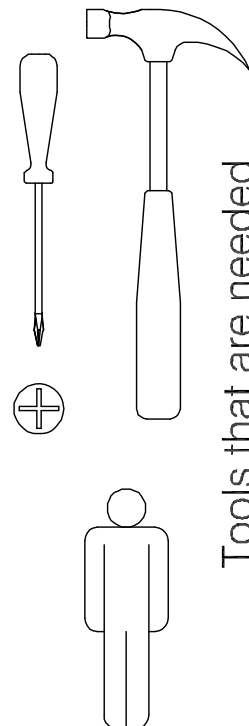
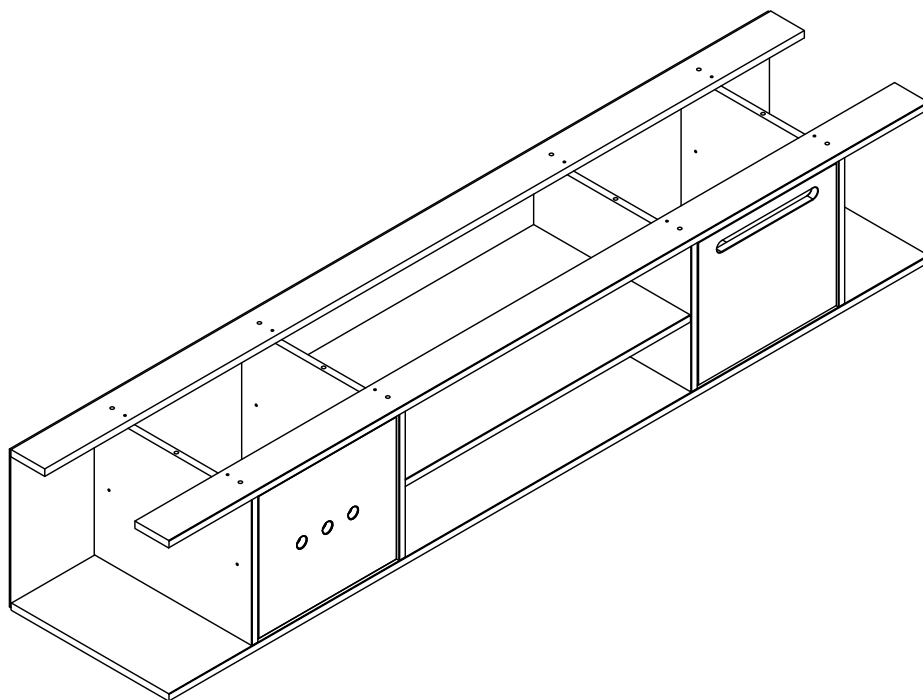
5 Back panel x1
(189,2x34,1x0,3 cm)



6 Door x1
(30,9x34,5x1,6 cm)



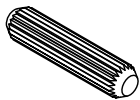
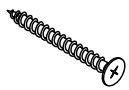
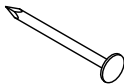
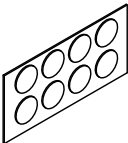
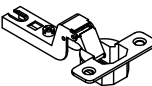

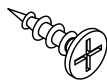
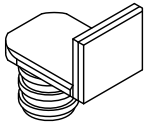
7 Door x1
(30,9x34,5x1,6 cm)

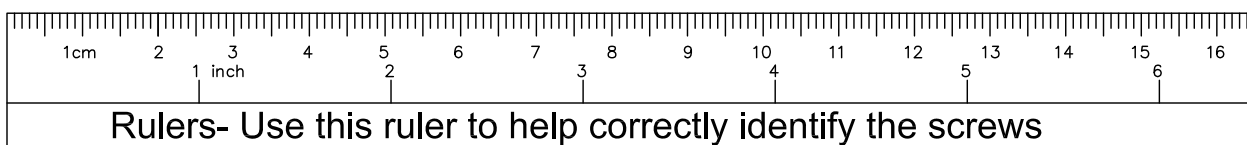


Tools that are needed

Components- Fittings

Please check that you have the fittings listed below

<p>A</p>  <p>8x30 20x</p>	<p>F</p>  <p>3,5x45 20x</p>	<p>H</p>  <p>50x</p>	<p>J</p>  <p>8x</p>	<p>U</p>  <p>4x</p>	<p>V</p>  <p>4x 3,5x12</p>	<p>G</p>  <p>4x</p>
						<p>I</p>  <p>2x</p>



Rulers- Use this ruler to help correctly identify the screws

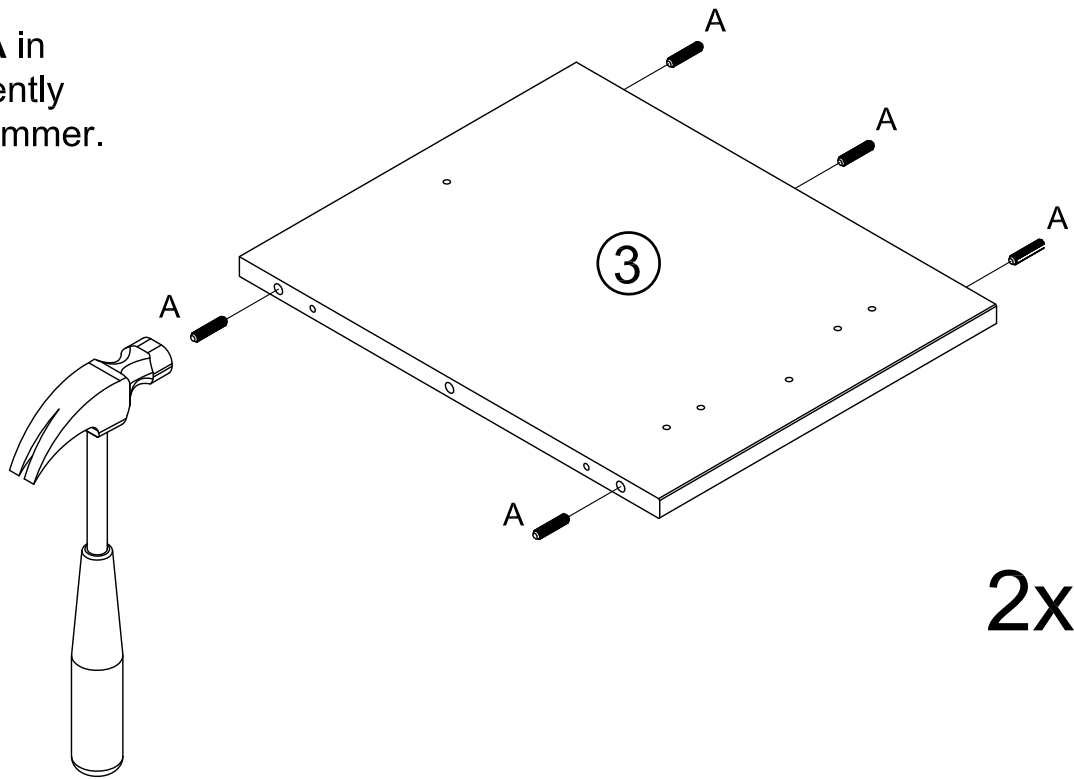
Step 1

5/10

In this step use these fittings:

Ax10

Insert dowels **A** in sides **3**. Tap gently with a small hammer.

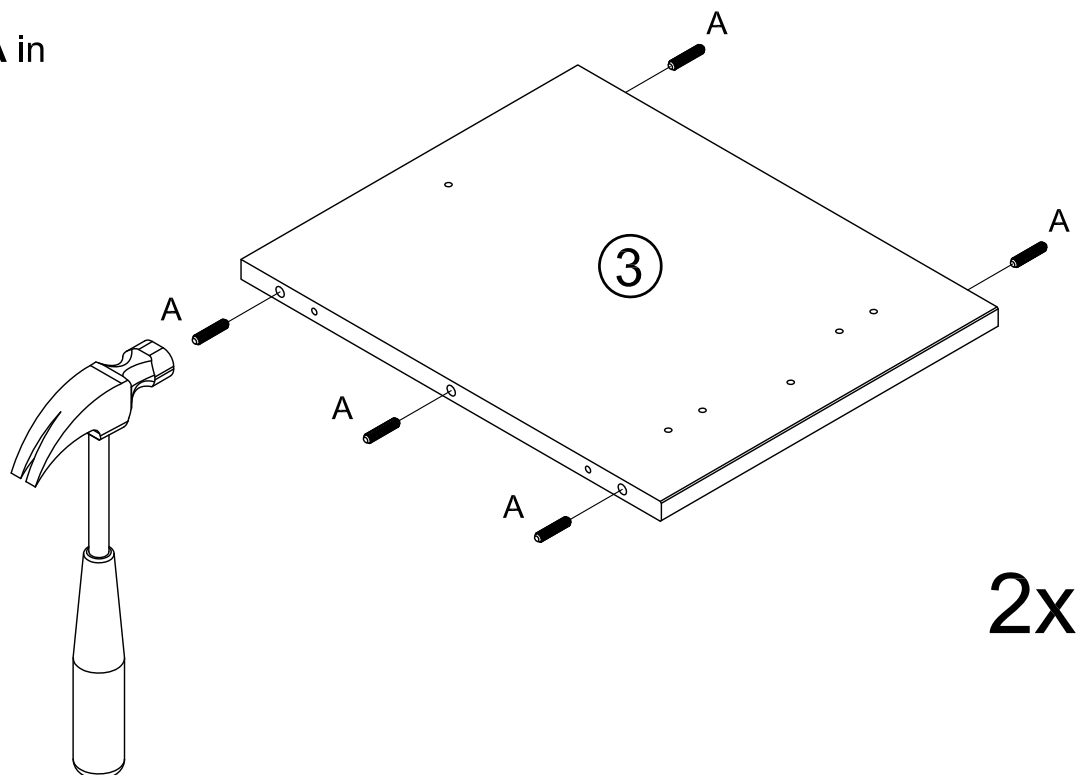


Step 2

In this step use these fittings:

Ax10

Insert dowels **A** in sides **3**.



Step 3

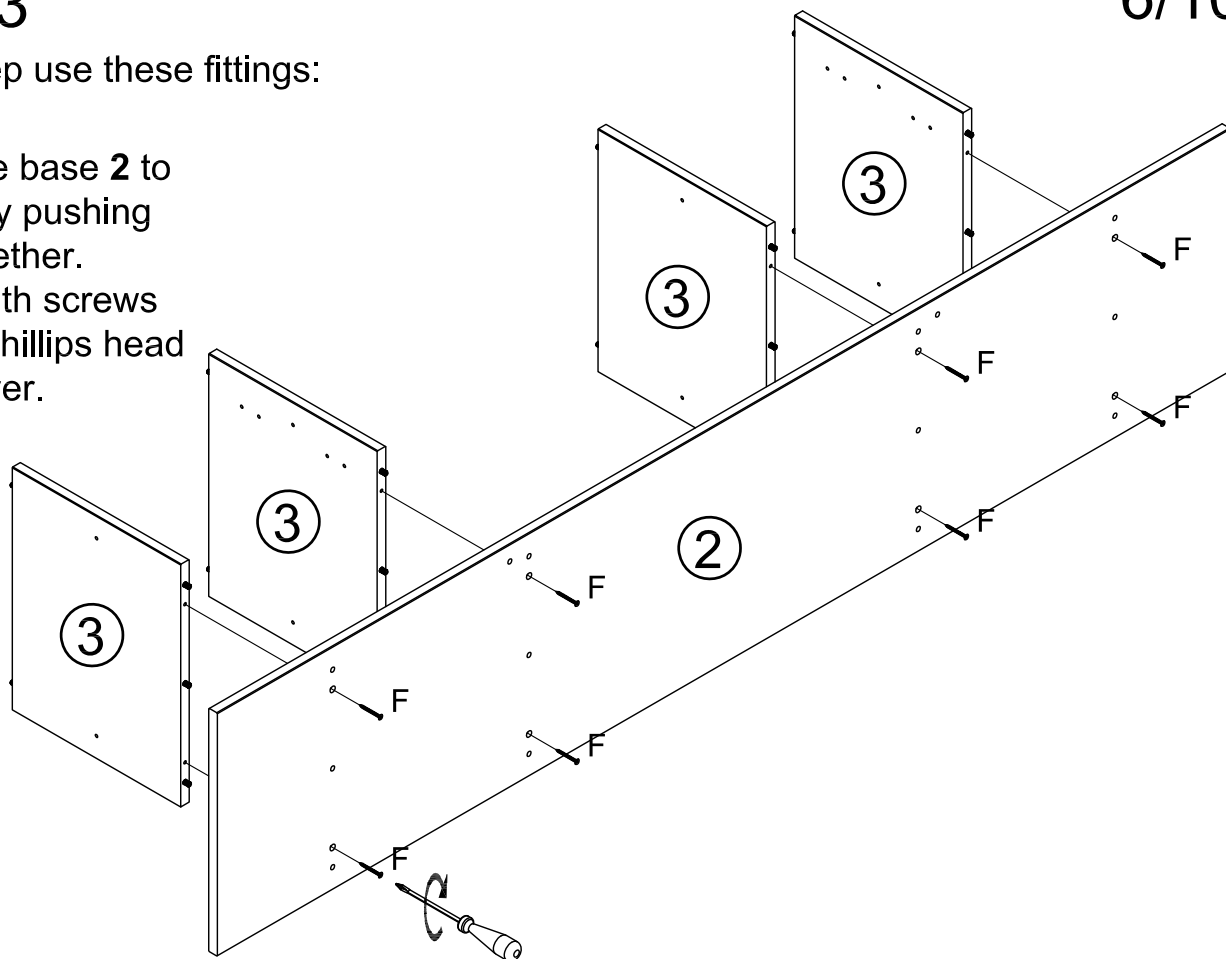
6/10

In this step use these fittings:

Fx8

Assemble base **2** to sides **3** by pushing them together.

Fasten with screws **F** using Phillips head screwdriver.

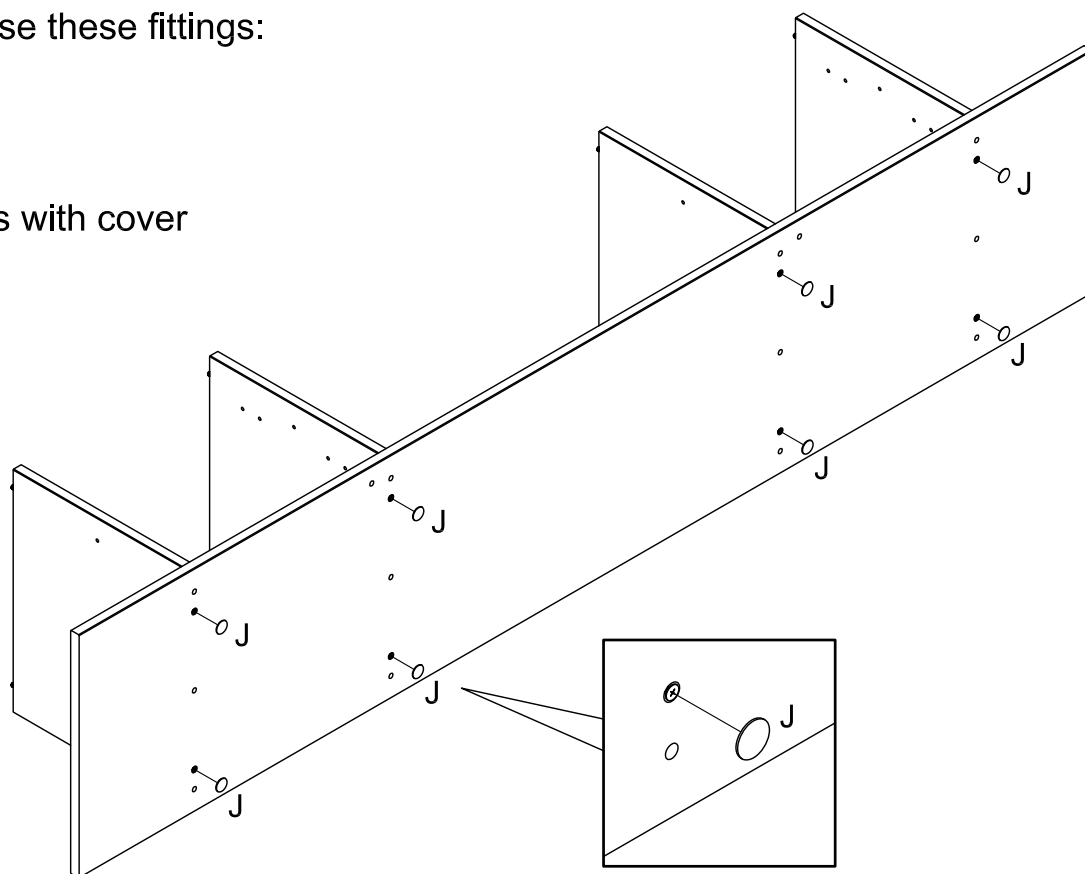


Step 4

In this step use these fittings:

Jx8

Cover screws with cover caps **J**.



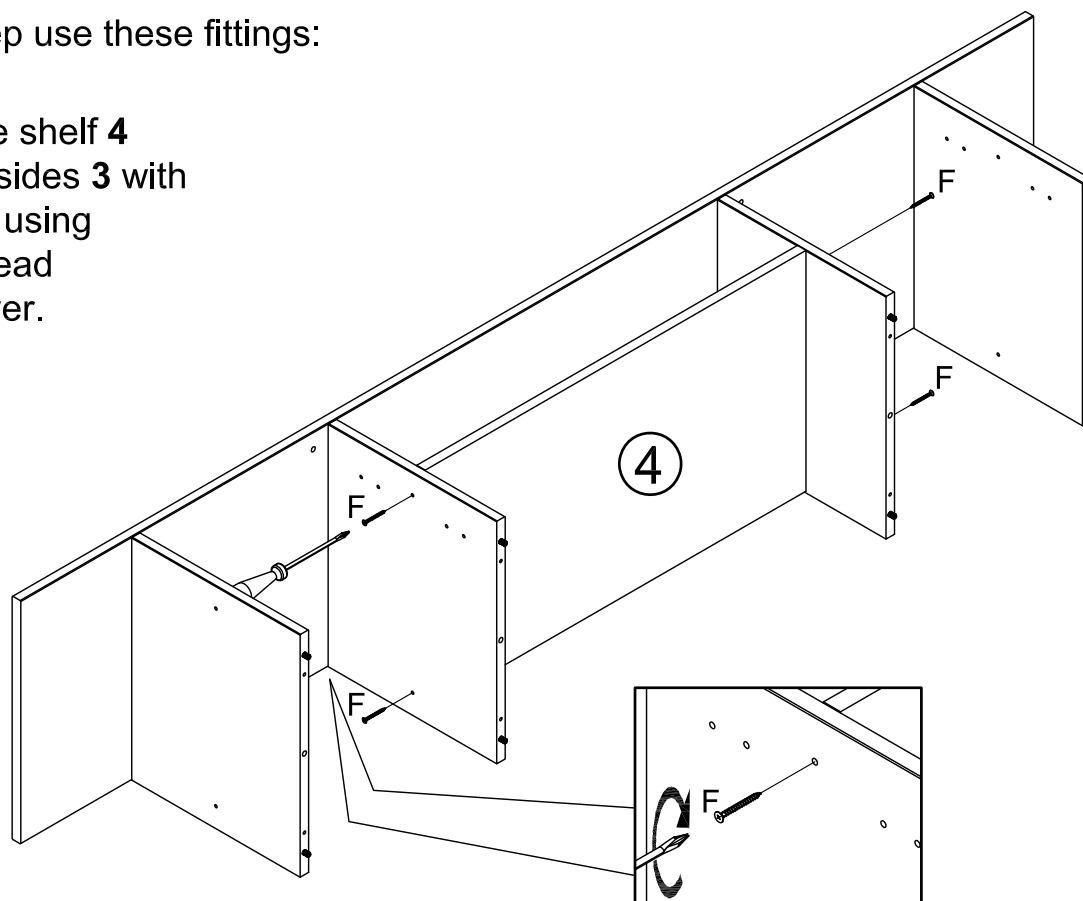
Step 5

7/10

In this step use these fittings:

Fx4

Assemble shelf **4**
between sides **3** with
screws **F** using
Phillips head
screwdriver.

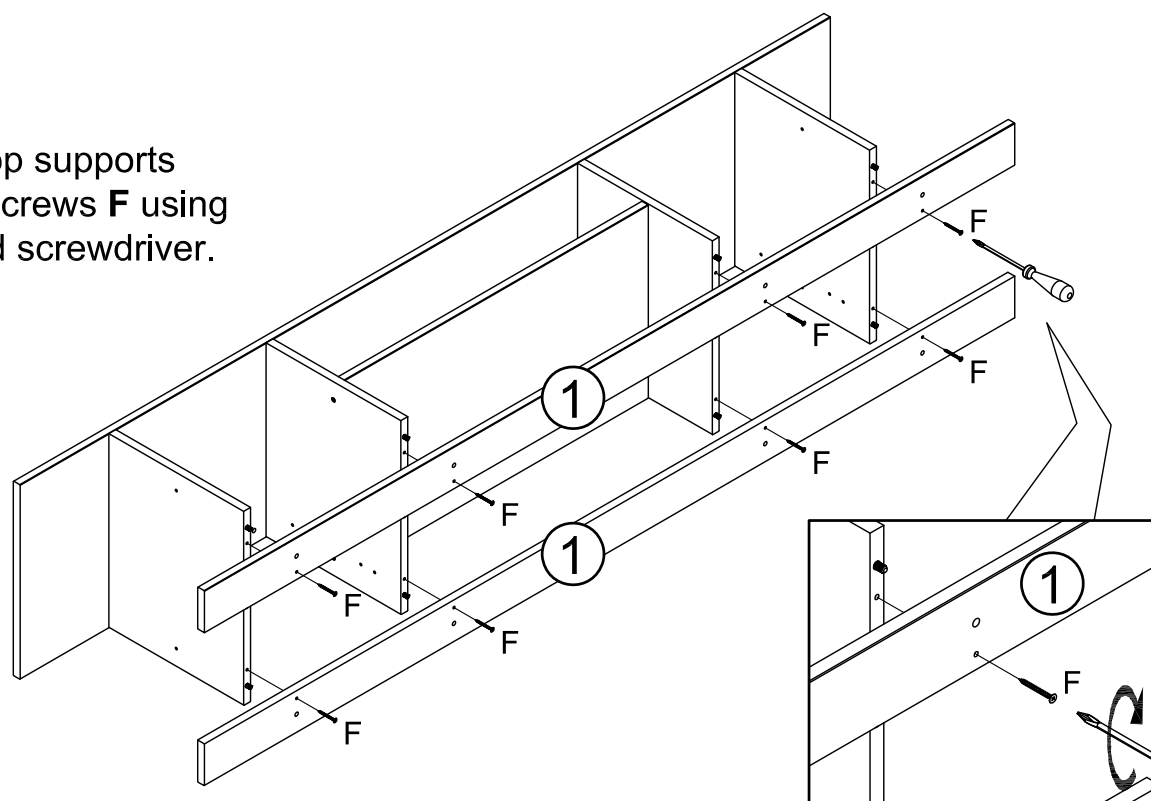


Step 6

In this step use these fittings:

Fx8

Assemble top supports
rails **1** with screws **F** using
Phillips head screwdriver.



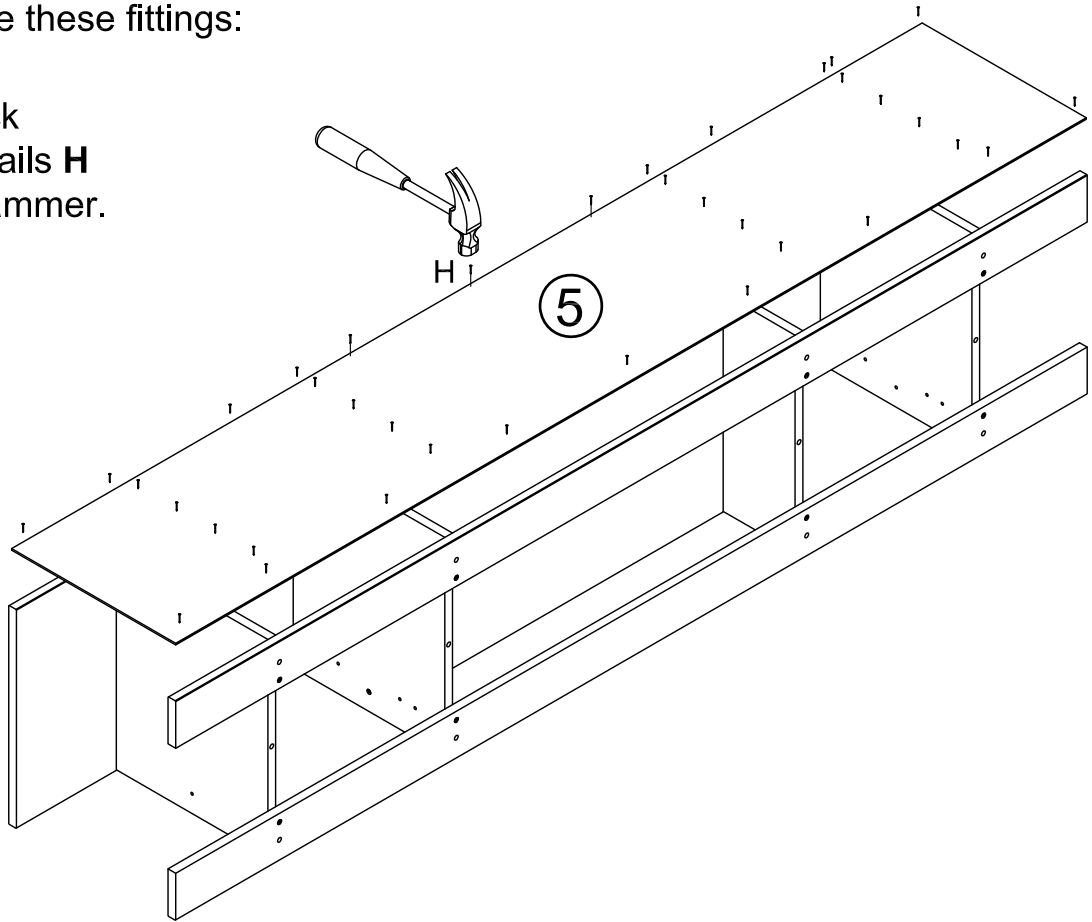
Step 7

8/10

In this step use these fittings:

Hx50

Assemble back panel **5** with nails **H** using small hammer.



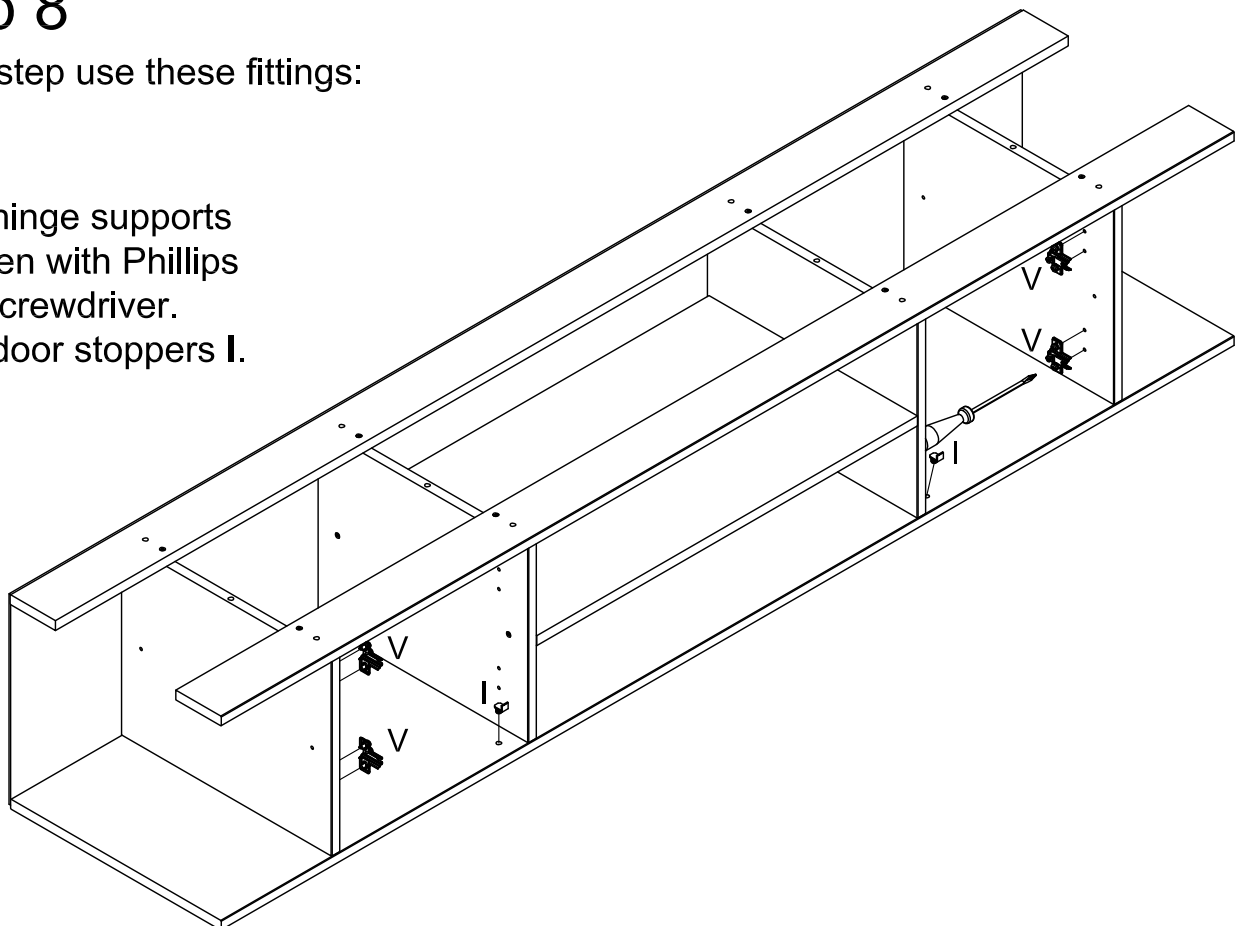
Step 8

In this step use these fittings:

Vx4

Ix2

Place hinge supports **V** fasten with Phillips head screwdriver.
Place door stoppers **I**.



Step 9

9/10

In this step use these fittings:

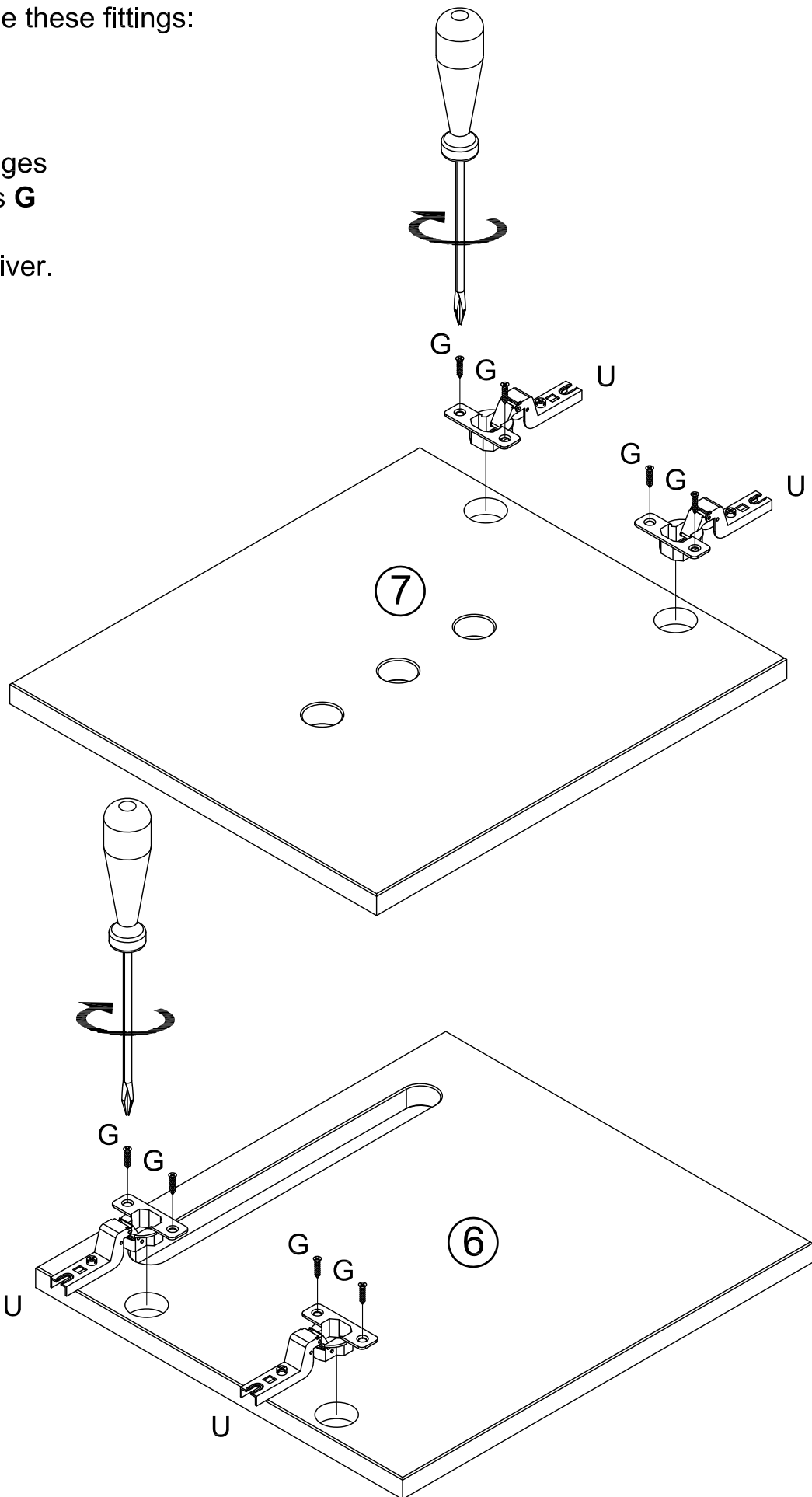
Gx8

Ux4

Assemble hinges

U with screws **G**

using Phillips
head screwdriver.



Step 10

10/10

Assemble and adjust doors
6 and 7 using Phillips head
screwdriver.

